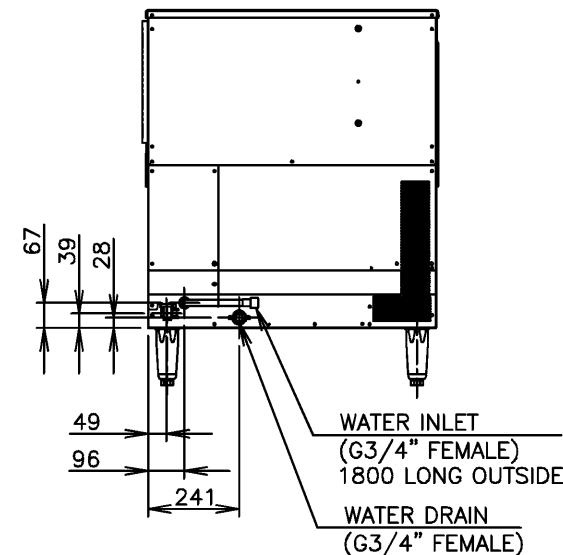
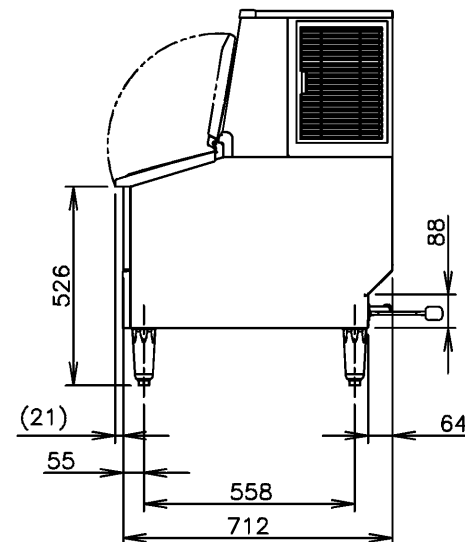
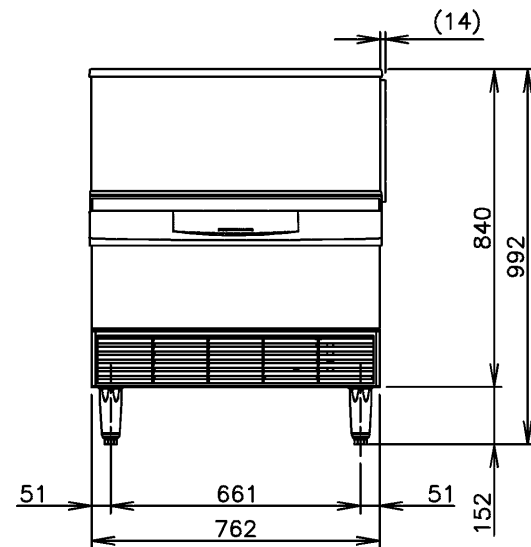
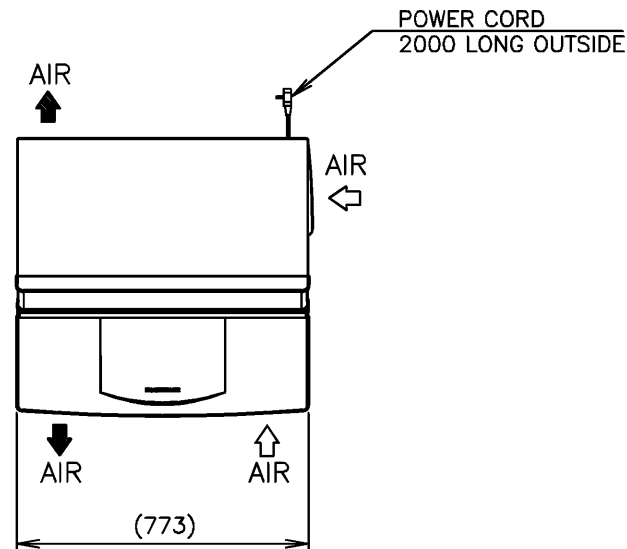


1. Install the product properly in accordance with the instructions on location, water supply/drain connections and electrical connections stated in the instruction and installation manuals provided.
2. The ice production depends on the ambient and water temperatures. Refer to the instruction manual.
3. Product code: F003-C111



ITEM	Hoshizaki Crescent Ice Maker (Self -Contained Type)
MODEL	KM-125A
AC SUPPLY VOLTAGE	1 Phase 220 - 240V 50Hz
AMPERAGE	4.50A(AT. 32℃, WT. 21℃)
STARTING AMPERAGE	19A
ELECTRICAL CONSUMPTION	774W(AT. 32℃, WT. 21℃)
POWER FACTOR	67%
POWER SUPPLY CAPACITY	1.43KVA( 5.9A )
ICE PRODUCTION PER	Approx. 128kg/d(AT. 10℃, WT. 10℃) Approx. 115kg/d(AT. 21℃, WT. 15℃) Approx. 102kg/d(AT. 32℃, WT. 21℃)
WATER CONSUMPTION PER	Approx. 0.73m <sup>3</sup> /d(AT. 10℃, WT. 10℃) Approx. 0.40m <sup>3</sup> /d(AT. 21℃, WT. 15℃) Approx. 0.18m <sup>3</sup> /d(AT. 32℃, WT. 21℃)
SHAPE OF ICE	Crescent Cube
FREEZE CYCLE TIME	Approx. 28Min(AT. 21℃, WT. 15℃)
ICE PRODUCTION PER CYCLE	Approx. 2.1kg/238pcs(AT. 21℃, WT. 15℃)
MAX STORAGE CAPACITY	Approx. 55kg(Bin Cont Setting Approx. 45kg)
OUTSIDE DIMENSIONS	762mm(W)× 712mm(D)× 992mm(H)
EXTERIOR	Stainless Steel, Plastic Door, Galvanized Steel (Rear)
INSULATION	Polyurethane Foam
INSULATION FOAM BLOWING AGENT	Cyclopentane/CFC Free/ODP: 0/GWP: 3
CONNECTIONS-ELECTRIC	X-type Connection(With Plug)
CONNECTIONS-WATER SUPPLY	Inlet G3/4"(connected at rear side)
CONNECTIONS-DRAIN	Outlet G3/4"(connected at rear side)
ICE MAKING SYSTEM	Vertical Evaporator with water flow on both sides
HARVESTING SYSTEM	Water Supply Harvest Cycle and Hot Gas Defrost
COMPRESSOR	Hermetic
CONDENSER	Air-cooled, Fin and Tube type
HEAT REJECTION	1650W(1420kcal/h)(AT. 32℃, WT. 21℃)
EVAPORATOR	Vertical type, Stainless Steel and Copper
REFRIGERANT CONTROL	Thermostatic Expansion Valve
REFRIGERANT CHARGE	R404A/360g
ICE MAKING CONTROL SYSTEM	Float Switch
HARVESTING CONTROL SYSTEM	Hot Gas and Water, Thermistor and Timer
ICE MAKING WATER CONTROL SYSTEM	Timer Controlled, Overflow Pipe
BIN CONTROL SYSTEM	Mechanical Bin Switch
ELECTRICAL PROTECTION	Class I Appliance, 5A Fuse
P.C. BOARD CIRCUIT PROTECTION	High Voltage Cut-out(Internal)
COMPRESSOR PROTECTION	Auto-reset Overload Protector(Internal)
REFRIGERANT CIRCUIT PROTECTION	Auto-reset High Pressure Control Switch
LOW WATER PROTECTION	Float Switch
ICE MAKER PROTECTION	Interlock by Controller Board
WEIGHT	Net weight 70kg / Gross weight 92kg
PACKAGE	Carton 845mm(W)× 800mm(D)× 955mm(H)
ACCESSORIES	Instruction Manual, Scoop, Leg(4 pcs.), Drain Adapter Outlet Hose, Duct, Truss Head Screw
OPERATION CONDITION	Ambient Temp.: 1-40℃, Water Supply Temp.: 5-35℃ Water Supply Pressure: 0.07-0.8MPa(0.7-8bar) Voltage Range: 198-254V

\*We reserve the right to make changes in specifications and design without prior notice.

# HOSHIZAKI CRESCENT ICE MAKER KM-125A (SELF-CONTAINED TYPE) (for AUS/NZL)

APPROVED KUROYANAGI	CHECKED KUROYANAGI	DESIGNED UEDA	DRAWN WATANABE	SCALE 1/20	TRIGONOMETRY
*	*	△	*****	DATE 2013.12.19	DRAWING NO. D13759
APPROVED	DESIGNED	SYMBOL	DATE		SYMBOL △