



HOSHIZAKI

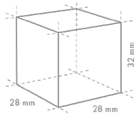
IM - 45CPE - 28 - F

Model Number
91000158

Cube 36kg Ice Maker with Drain Pump - Self Contained



Hoshizaki IM-45CPE-F FlexiCube model is a self-contained ice maker with internal drain pump producing up to 42kg (10°C Air temp; 10°C Water) of cube ice per 24 hours.



Cube Size: **STANDARD**
Weight: 23 g

- Produces compact, dry, tasteless and slow melting cube ice, allowing just the right amount of dilution.
- Automated cleaning (wash auto-restart).
- Water circuit cleaning notification.
- Condenser cleaning notification.
- Magnetic dc pump motor with variable speed.
- High grade stainless steel.
- Stand-by/wash buttons.
- Removable door gasket.
- Easy-clean air filter.
- Flexicube models include an integrated drain pump, enabling flexible placement of the ice maker, regardless of drain position or height.
- Internal drain pump models allow for positioning radius of 10m distance and up to 1.5m height to drain point (based at max 10m distance).

PRODUCT SPECIFICATION

Ice Type	Cube
Production Capacity per 24hours	Approx. 42kg @ 10°C Air temp; 10°C Water Approx. 36kg @ 21°C Air temp; 15°C Water Approx. 29kg @ 32°C Air temp; 21°C Water
Max Storage Capacity	Approx. 15kg (Bin Control Setting Approx. 8kg)
Dimensions	633mm (W), 511mm (D), 780mm (H)
Weight Net Packed Weight	44kg 54kg
Cooling	Air
AC Supply Voltage	1 PHASE 220-240V 50Hz/ 10 AMP Plug
Refrigerant	R290
Operating Conditions	Ambient Temp.: 1-40°C Water Supply Temp.: 5-35°C Water Supply Pressure: 0.07-0.8MPa (0.7 - 8bar) Voltage Range: Rated Voltage ±6%
Water Consumption Per 24h	Approx. 0.11m ³ @ 10°C Air temp; 10°C Water Approx. 0.05m ³ @ 21°C Air temp; 15°C Water Approx. 0.04m ³ @ 32°C Air temp; 21°C Water
Heat Rejection (AT 32°C, WT 21°C)	710W
Accessories included	Installation kit, Scoop
GEM Number	AIM0018

INSTALLATION REQUIREMENTS

- Ensure the condenser is cleaned periodically as per the manufacturer’s manual.
- Do not plug the unit into multi-plug power boards with other appliances
- Room ventilation or air conditioning can improve the situation by reducing the humidity.
- Hoshizaki recommends the use of a compatible water filter to prevent non-warrantable scale & sediment complications.

*Refer to manual for full installation & maintenance requirements.



For free 6 month extended warranty, register online within 4 weeks of purchase date.
hoshizaki.com.au

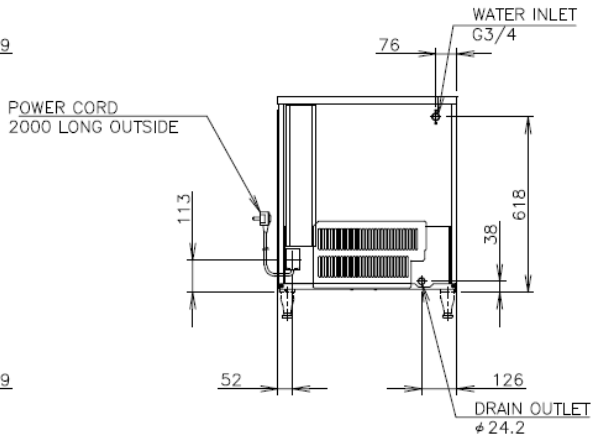
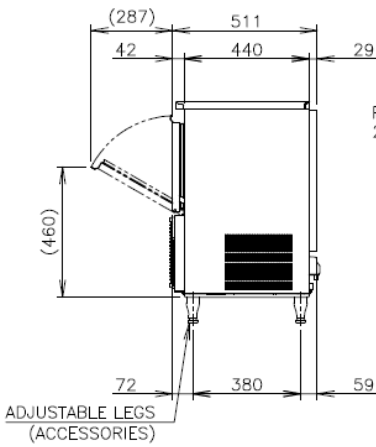
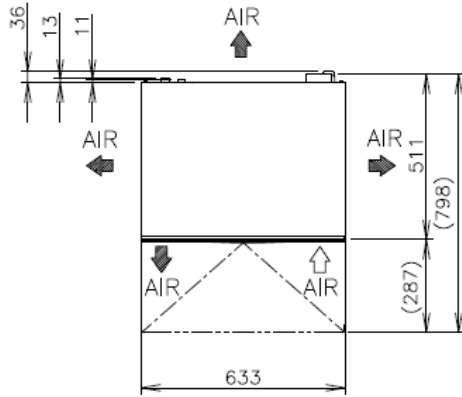
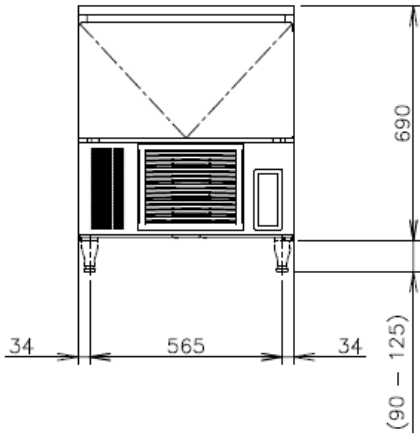


HOSHIZAKI

IM - 45CPE - 28 - F

Cube 36kg Ice Maker with Drain Pump - Self Contained

TECHNICAL DRAWING



For free 6 month extended warranty, register online within 4 weeks of purchase date.

hoshizaki.com.au