



# HOSHIZAKI

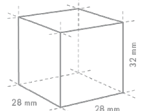
## IM - 130PE - 28

Model Number  
**91000192**

### Cube 102kg Ice Maker - Self Contained



Hoshizaki IM-130PE Cube model is a self-contained ice maker producing up to 109kg (10°C Air temp; 10°C Water) of cube ice per 24 hours.



Cube Size: **STANDARD**  
Weight: 23 g

- Produces compact, dry, tasteless and slow melting cube ice, allowing just the right amount of dilution.
- Automated cleaning (wash auto-restart).
- Water circuit cleaning notification.
- Condenser cleaning notification.
- Magnetic dc pump motor with variable speed.
- High grade stainless steel.
- Stand-by/wash buttons.
- Removable door gasket.
- Easy-clean air filter.

## PRODUCT SPECIFICATION

Ice Type	Cube
Production Capacity per 24hours	Approx. 109kg @ 10°C Air temp; 10°C Water Approx. 102kg @ 21°C Air temp; 15°C Water Approx. 91kg @ 32°C Air temp; 21°C Water
Max Storage Capacity	Approx. 50kg (Bin Control Setting Approx. 28kg)
Dimensions	704mm (W), 506mm (D), 1280mm (H)
Weight Net   Packed Weight	71kg   81kg
Cooling	Air
AC Supply Voltage	1 PHASE 220-240V 50Hz/ 10 AMP Plug
Refrigerant	R290
Operating Conditions	Ambient Temp.: 1-40°C Water Supply Temp.: 5-35°C Water Supply Pressure: 0.07-0.8MPa (0.7 - 8bar) Voltage Range: Rated Voltage ±6%
Water Consumption Per 24h	Approx. 0.47m <sup>3</sup> @ 10°C Air temp; 10°C Water Approx. 0.21m <sup>3</sup> @ 21°C Air temp; 15°C Water Approx. 0.18m <sup>3</sup> @ 32°C Air temp; 21°C Water
Heat Rejection (AT 32°C, WT 21°C)	1450W
Accessories included	Installation kit, Scoop
GEM Number	AIM0005

## INSTALLATION REQUIREMENTS

- Ensure the condenser is cleaned periodically as per the manufacturer's manual.
- Do not plug the unit into multi-plug power boards with other appliances
- Room ventilation or air conditioning can improve the situation by reducing the humidity.
- Hoshizaki recommends the use of a compatible water filter to prevent non-warrantable scale & sediment complications.

\*Refer to manual for full installation & maintenance requirements.



For free 6 month extended warranty, register online within 4 weeks of purchase date.  
[hoshizaki.com.au](http://hoshizaki.com.au)

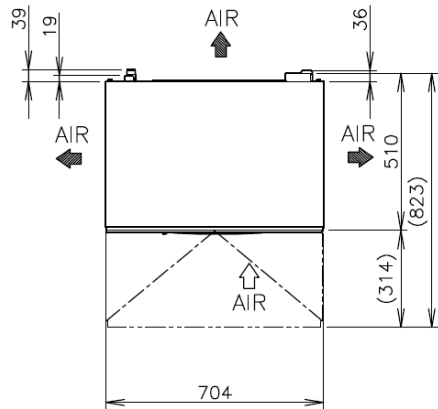
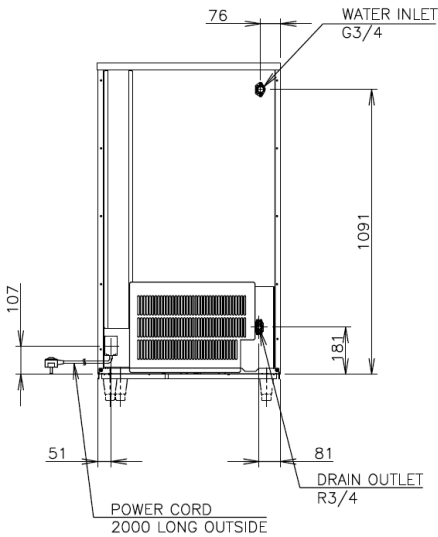
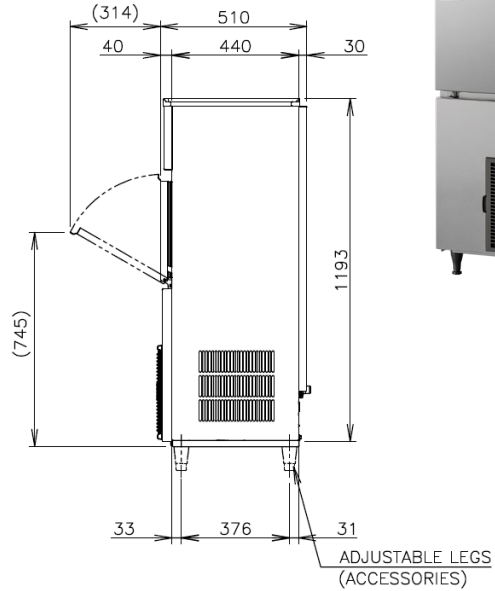
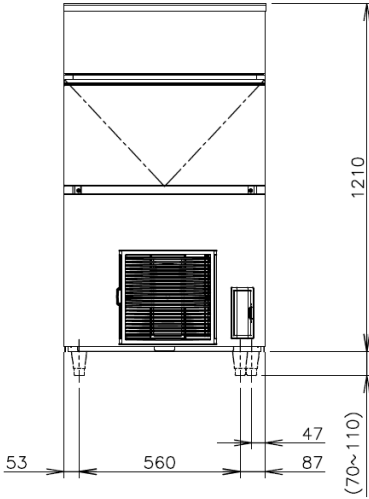


# HOSHIZAKI

## IM - 130PE - 28

Cube 102kg Ice Maker - Self Contained

### TECHNICAL DRAWING



For free 6 month extended warranty, register online within 4 weeks of purchase date.

[hoshizaki.com.au](http://hoshizaki.com.au)