



HOSHIZAKI

DCM - 60KE - P - HC

Model Number
91000185

50KG Ice & Water Dispenser With Push Button

PRODUCT FEATURES

The Hoshizaki DCM-60KE-P-HC ice and water dispenser produces up to 60 kg of premium cubelet ice per 24 hours, delivering a reliable, hygienic, and efficient solution for self-service environments. Designed for convenience and performance, this compact unit combines ice production, protected storage, and rapid dispensing into one streamlined system. With the push of a button, users can enjoy ice, water, or a combination of both within seconds—making it ideal for businesses that prioritise speed, safety, and ease of use.

Sustainable Performance: Utilises eco-friendly R290 refrigerant for improved efficiency, reduced environmental impact.

Waste Control: Intuitive portion control helps manage ice usage, reducing waste and lowering overall energy consumption.

Food Safety Focused: Advanced hygienic design prevents air and water from contacting stored ice, ensuring maximum protection against contamination.

Compact & Versatile Design: Space-saving footprint makes it ideal for smaller areas while still delivering strong production and storage capabilities.

Plug & Play Installation: Simple setup allows for quick installation and immediate operation with minimal effort.

Flexible Dispensing Options: Choose between ice only, ice and water, or water only to suit different user needs.



PRODUCT SPECIFICATION

Production Capacity / 24hrs Approx. 60kg @ 10°C Air temp; 10°C Water
Approx. 50kg @ 21°C Air temp; 15°C Water
Approx. 38kg @ 32°C Air temp; 21°C Water

Max Storage Capacity Approx. 1.9kg

Dimensions 350mm (W) x 585mm (D) x 695mm (H)

Cooling Air

Weight Net/Gross (kg) 46/55

Refrigerant R290

AC Supply Voltage 1 PHASE 220-240V 50Hz/ 10 AMP Plug

Operating Conditions:

Ambient Temp 5-40°C

Water Supply Temp 5-35°C

Water Supply Pressure 0.05-0.78MPa (0.5-8bar)

Voltage Range ±6%

GEM Number AIM0024

INSTALLATION REQUIREMENTS

- Ensure the condenser is cleaned periodically as per the manufacturer’s manual.
- Do not plug the unit into multi-plug power boards with other appliances
- Room ventilation or air conditioning can improve the situation by reducing the humidity.
- Hoshizaki recommends the use of a compatible water filter to prevent non-warrantable scale & sediment complications.

*Refer to manual for full installation & maintenance requirements.



For free 6 month extended warranty, register online within 4 weeks of purchase date.
hoshizaki.com.au

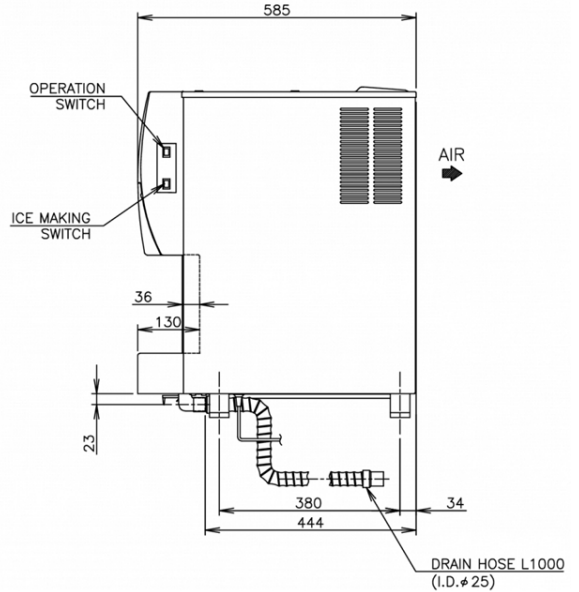
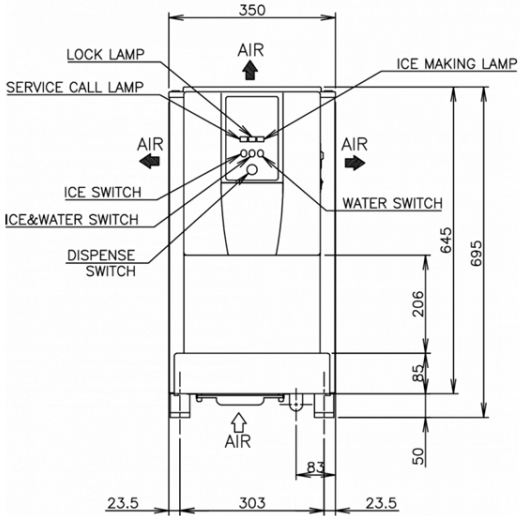
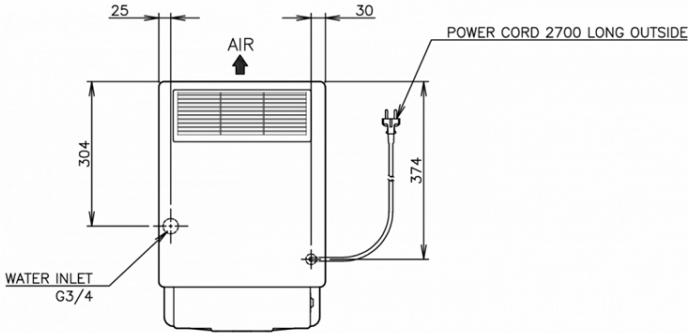


HOSHIZAKI

DCM - 60KE - P - HC

50KG Ice & Water Dispenser With Push Button

TECHNICAL DRAWING



For free 6 month extended warranty, register online within 4 weeks of purchase date.
hoshizaki.com.au