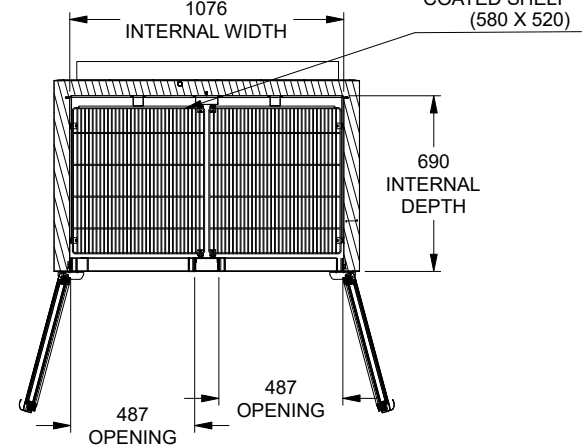
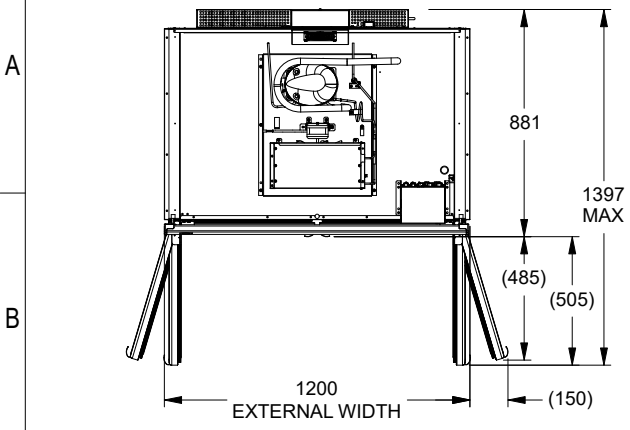


WRU/PCVC15, REV/A, DATE 01.03.2022
 THIS DRAWING AND THE INFORMATION CONTAINED HEREIN IS PROPRIETARY TO M/S WESTERN REFRIGERATION PVT. LTD. IT SHALL NOT BE REPRODUCED, COPIED OR DISCLOSED, IN WHOLE OR IN PART OR USED FOR MANUFACTURE OR FOR OTHER PURPOSE WITHOUT THE WRITTEN PERMISSION OF M/S WESTERN REFRIGERATION PVT. LTD.

NOTE: COMPONENT AND ASSEMBLY MUST BE COMPLIANT TO APPLICABLE RECENT ROHS DIRECTIVES.

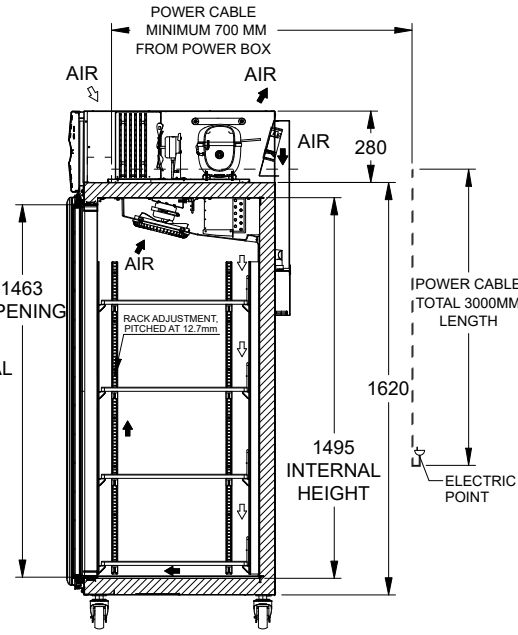
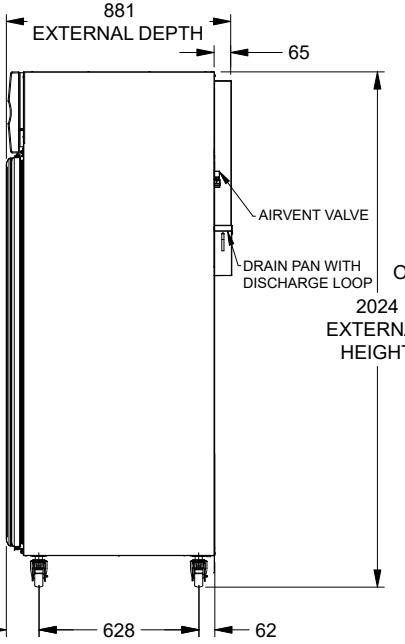
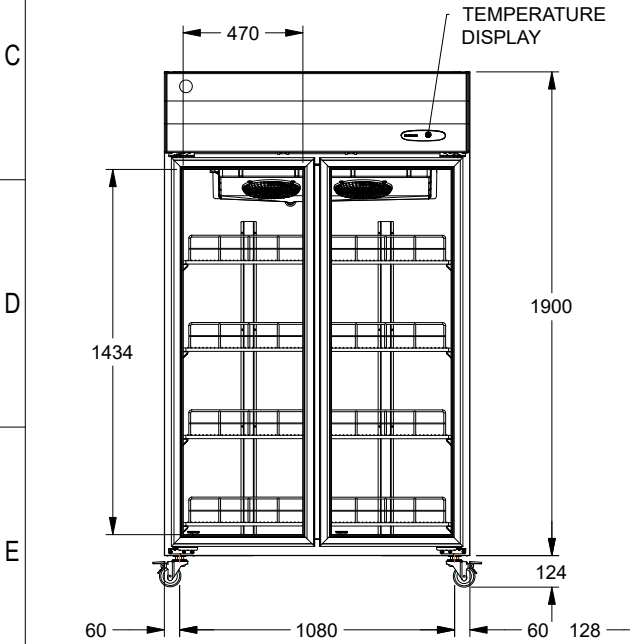
CHANGE NOTE						
REVISION	SHEET NO	ZONE	DETAILS	ECN	DATE	DRAWN



SECTION B-B

- OPTIONS:
 1. BOTTOM & REAR PANEL CAN BE AVAILABLE IN SUS 430/ SUS304
 2. ALL EXTERIOR & INTERIOR CAN BE AVAILABLE IN SUS 304 (IN THIS OPTION BOTTOM & REAR PANEL ARE PAINTED)

ITEM	HOSHIZAKI GLASS DOOR REFRIGERATOR
MODEL	HRWE127LS4-LG
POWER SUPPLY	SINGLE PHASE, 230V AC, 50HZ
RATED CURRENT	2.3 AMPS
RATED POWER	520 W
HEAT REJECTION	1424W
POWER CORD	10 AMPS / 3 METER
EFFECTIVE CAPACITY	707 LITRE
OUTSIDE DIMENSIONS	1200 (W) X 881 (D) X 2024 (H - WITH CASTOR)
INSIDE DIMENSIONS	1076 (W) X 690 (D) X 1495 (H)
EXTERIOR	SS 430 HAIRLINE NO 4 FINISH, GALVANIZED STEEL POWDER COATED (BOTTOM)
INTERIOR	SS 430 HAIRLINE NO 4 FINISH
INSULATION	POLYURETHANE FOAM (CFC FREE)
INSULATION FOAM BLOWING AGENT	CYCLOPENTANE
REFRIGERATION SYSTEM	FORCED AIR CIRCULATION
DEFROST SYSTEM	IN COMPRESSOR OFF CYCLE
COMPRESSOR	HERMETIC 978W
CONDENSER	FORCED (WIRE ON TUBE)
EVAPORATOR	FORCED (FIN & TUBE)
REFRIGERANT/ CHARGE	R-290 / 105 gram
TEMP. CONTROL	ELECTRONIC FROM 1°C TO 4°C
DEFROST CONTROL	BY TEMPERATURE CONTROLLER
ELECTRIC CIRCUIT PROTECTION	PUSH TO RESET THERMAL P&B CIRCUIT BREAKER 10 AMP
COMPRESSOR PROTECTION	MOTOR PROTECTOR
CASTOR	NON ADJUSTABLE 4 NOS
SHELF	8 PLASTIC COATED STANDARD SHELFS
WEIGHT	NET :178KG (GROSS : APPROX 216KG)
PACKAGE	CARTON (WOODEN PALLET) 1285MM (W) X 895MM (D) X 2045MM(H)
ACCESSORIES	SHELF CLIPS & SHELVES
OPERATING CONDITIONS	AMBIENT TEMPERATURE : 10 TO 43°C VOLTAGE RANGE RATED VOLTAGE ±6%
CABINET LAMP	C-TYPE 510MM, 2W, DC24V, 2 NOS.
LAMP DRIVER	ELECTRONIC DRIVER 20W

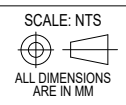


*WE RESERVE THE RIGHT TO MAKE CHANGES IN SPECIFICATIONS AND DESIGN WITHOUT PRIOR NOTICE

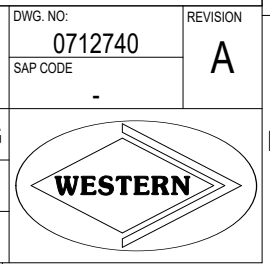
- INSTALL THE PRODUCT PROPERLY IN ACCORDANCE WITH THE INSTRUCTIONS ON LOCATION, ELECTRICAL CONNECTIONS STATED IN THE INSTRUCTION MANUAL PROVIDED. ALLOW 10MM EXTRA SPACE AT THE INSTALLATION SITE TO MEET ANY INSTALLATION REQUIREMENTS (ADDITIONAL SPACING IS ALSO REQUIRED FOR PROPER AIR FLOW AND PIPE CONNECTIONS).
- THE HEAT REJECTION IS BASED ON THE REACHED PULL DOWN TEMPERATURE AT AMBIENT TEMPERATURE OF 43°C AND POWER SUPPLY OF 230VAC 50HZ. THE AMPERAGE AND ELECTRIC CONSUMPTION ARE BASED ON MEASUREMENT AT AMBIENT TEMPERATURE OF 43°C AND POWER SUPPLY OF 230VAC 50HZ.

THIS ASSEMBLY DRAWING IS FOR ILLUSTRATION PURPOSE. COMPONENTS, ASSEMBLY SEQUENCE MAY VARY DEPENDING UPON MANUFACTURING PRACTICES SPECIFIC TO MANUFACTURING LOCATIONS. REFER PROCESS WORK INSTRUCTIONS FOR MORE DETAILS ON ASSEMBLY. REFER SAP BOM FOR EXACT MATERIAL CONSUMPTION.

UNSPECIFIED TOLERANCES						
DIM	<6	6-30	30-120	120-400	400-1000	>1000
TOL	N/A	±1.0	±1.5	±2.0	±2.5	±3.0
UNSPECIFIED TOL. ON ANGLE ±0.5						



TITLE		DWG. NO.	REVISION
REACH-IN GLASS DOOR REFRIGERATOR		0712740	A
MODEL		SAP CODE	
HRWE127LS4-LG		-	
DRAWN BY	MODEL	RELEASE DATE	SHEET
KIRAN	HRWE127LS4-LG	26.08.2024	1 OF 2
CHECKED BY	RELEASE DATE	RELEASE STAGE:	
PRATAP	26.08.2024	RELEASED	
APPROVED BY	RELEASE DATE	RELEASE STAGE:	
PRATAP	26.08.2024	RELEASED	



- * () DIMENSIONS ARE IMPORTANT.
 - REFERENCE DIMENSIONS ARE MARKED WITH (*)
 - PART SHOULD BE FREE FROM SHARP EDGES & BURRS
- REFERENCE STANDARD: -