



UNDER COUNTER
REFRIGERATOR/FREEZER

RTE,FTE-120SDA-GN
RTE,FTE-170SDA-GN
RTE,FTE-120SNA
RTE,FTE-150SNA
RTE,FTE-180SNA

PARTS LIST

[HSU]

V-1 Dec. 2010
A-1 Oct. 2011
B-1 Apr. 2012
C-1 Apr. 2013
D-0 Jun. 2014
E-0 Feb. 2015

T043-3421 (0523)

Product Code	Spec
T039,T040,T041,T042,T043,T044,T045,T046,T047,T048	Standard
T039-D007,T040-D007,T041-D007,T042-D007,T043-D007 T044-D007,T045-D007,T046-D007,T047-D007,T048-D007	Hoshizaki Lancer Pacific, Australia
T039-D008,T040-D008,T041-D008,T042-D008,T043-D008 T044-D008,T045-D008,T046-D008,T047-D008,T048-D008	Hoshizaki Lancer Pacific, Australia Caster Weel
T039-D009,T040-D009,T041-D009,T042-D009	Hoshizaki Lancer Pacific, Australia ML Door with Grip Handle

AUXILIARY CODE

U - 1

The auxiliary code is the first two characters in the serial number. The first character indicates the production year. Years progress or regress in alphabetical order. The series of letters and skipped letters depend on UL listing, production, and model. See the auxiliary code(s) and corresponding year(s) on the front cover.

The second character indicates significant part changes within the same year. Base is "1" and this number advances for each change. If there is no significant part change at the turn of the year, this number

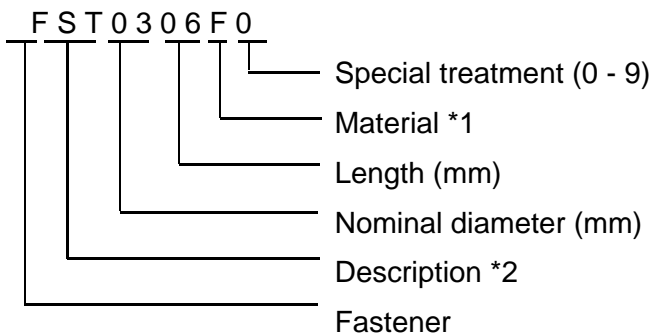
starts from "0."

MARKS LOCATED UNDER THE AUXILIARY CODE

- = Part deleted.
- x = Part deleted and replaced by "o" part.
- o = New part in place of "x" part.

FASTENER PART NUMBER

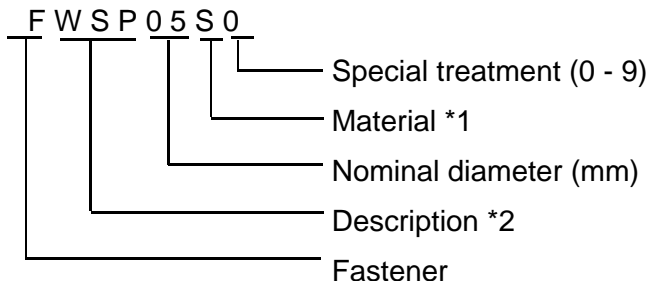
SCREWS



*1

- F: Steel
- S: Austenitic stainless steel
- M: Martensitic stainless steel
- B: Copper alloy
- P: Polycarbonate
- N: Polyamide
- V: PVC
- A: ABS
- X: Polyacetal
- L: Aluminum

NUTS & WASHERS



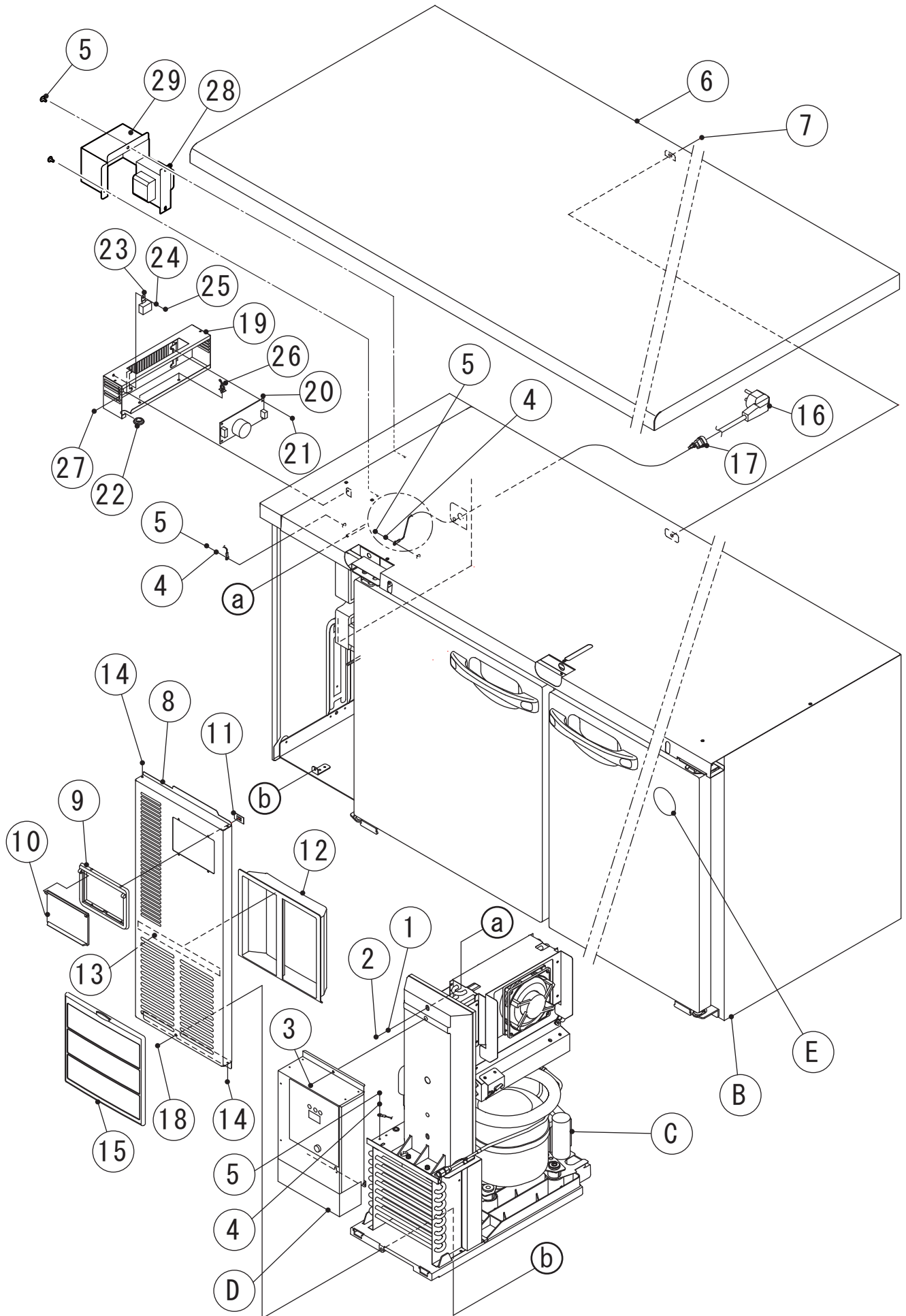
*2

- First letter
- S: Machine screw
- T: Tapping screw
- M: Wood screw
- B: Bolt
- W: Washer
- N: Nut

RTE, FTE-120SDA-GN
RTE, FTE-170SDA-GN
RTE, FTE-120SNA
RTE, FTE-150SNA
RTE, FTE-180SNA

A. REFRIGERATOR AY

(V-1) and later



HE

MODEL: RTE,FTE-120SDA-GN RTE,FTE-170SDA-GN RTE,FTE-120SNA RTE,FTE-150SNA RTE,FTE-180SNA		TITLE: A. REFRIGERATOR ASSY					
INDEX NO.	DESCRIPTION	MATERIAL OR MODEL NUMBER	PART NUMBER	REQ'D NUMBER			
				V-1 A-0	A-1 B-0	B-1 C-0	C-1,D-0 E-0
B	BODY ASSY	RTE-120SDA-GN	1R2700A01	1	1	-	-
			1R3397A01	-	-	1	1
		RTE-170SDA-GN	1R2680A01	1	1	-	-
			1R3400A01	-	-	1	1
		FTE-120SDA-GN	1R2700A02	1	1	-	-
			1R3397A02	-	-	1	1
		FTE-170SDA-GN	1R2680A02	1	1	-	-
			1R3400A02	-	-	1	1
		RTE-120SNA	1R2703A01	1	1	-	-
			1R3405A01	-	-	1	1
		RTE-150SNA	1R2706A01	1	1	-	-
			1R3408A01	-	-	1	1
		RTE-180SNA	1R2709A01	1	1	-	-
			1R3411A01	-	-	1	1
		FTE-120SNA	1R2703A02	1	1	-	-
			1R3405A02	-	-	1	1
		FTE-150SNA	1R2706A02	1	1	-	-
			1R3408A02	-	-	1	1
		FTE-180SNA	1R2709A02	1	1	-	-
			1R3411A02	-	-	1	1
C	REFRIGERATION UNIT	RTE-120SDA-GN,170SDA-GN RTE-120SNA,150SNA,180SNA	1R2687A01	1	1	1	1
		FTE-120SDA-GN,120SNA,150SNA	1R2688A01	1	1	1	1
		FTE-170SDA-GN,180SNA	1R2689A01	1	1	1	1
D	CONTROL BOX ASSY	RTE-120SDA-GN,170SDA-GN RTE-120SNA,150SNA,180SNA	2R3796A03	1	1	1	1
		FTE-120SDA-GN,170SDA-GN FTE-120SNA,150SNA,180SNA	2R3796A02	1	1	1	1
E	LABEL LOCATION	RTE-120SDA-GN	3S2470A01	1	1	1	1
		RTE-170SDA-GN	3S2470A02	1	1	1	1
		FTE-120SDA-GN	3S2470A03	1	1	1	1
		FTE-170SDA-GN	3S2470A04	1	1	1	1
		RTE-120SNA	3S2470A05	1	1	1	1
		RTE-150SNA	3S2470A06	1	1	1	1
		RTE-180SNA	3S2470A07	1	1	1	1
		FTE-120SNA	3S2470A08	1	1	1	1

HE

MODEL: RTE,FTE-120SDA-GN RTE,FTE-170SDA-GN RTE,FTE-120SNA RTE,FTE-150SNA RTE,FTE-180SNA				TITLE: A. REFRIGERATOR ASSY			
INDEX NO.	DESCRIPTION	MATERIAL OR MODEL NUMBER	PART NUMBER	REQ'D NUMBER			
				V-1 A-0	A-1 B-0	B-1 C-0	C-1,D-0 E-0
E	LABEL LOCATION	FTE-150SNA	3S2470A09	1	1	1	1
		FTE-180SNA	3S2470A10	1	1	1	1
		T039-D009	1R3480A11	-	-	-	1
		T040-D009	1R3480A12	-	-	-	1
		T041-D009	1R3480A13	-	-	-	1
		T042-D009	1R3480A14	-	-	-	1
K	ACCESSORIES	RTE,FTE-120SDA-GN	A02197-01	1	1	1	1
		RTE,FTE-170SDA-GN	A02196-01	1	1	1	1
		RTE,FTE-120SNA	A02200-01	1	1	1	1
		RTE,FTE-150SNA	A02201-01	1	1	1	1
		RTE,FTE-180SNA	A02202-01	1	1	1	1
1	FLAT WASHER		P00514-01	2	2	2	2
2	NUT		FNH106S0	2	2	2	2
3	TRUSS HEAD TAPPING SCREW T1		FT10416M0	2	2	2	2
4	SPRING WASHER		FWSP04S0	3	3	3	3
5	TRUSS HEAD SCREW		FST0408S0	3	3	3	3
		T039-D009,T040-D009 T041-D009,T042-D009		-	-	-	6
6	TOP PANEL	RTE,FTE-120SDA-GN	2R4022M08	1	1	1	1
		RTE,FTE-170SDA-GN	2R4022M07	1	1	1	1
		RTE,FTE-120SNA	2R4022M06	1	1	1	1
		RTE,FTE-150SNA	2R4022M05	1	1	1	1
		RTE,FTE-180SNA	2R4022M04	1	1	1	1
7	TRUSS HEAD TAPPING SCREW T2		FT20408M0	1	1	1	1
8	FRONT PANEL A		2R3788M01	1	1	1	1
9	FRAME - WINDOW		317932-02	1	1	1	1
10	DOOR		317933-01	1	1	1	1
11	SPEED NUT (TYPE P)		7GP1-0300	4	4	4	4
12	AIR GUIDE		3R7852G01	1	1	1	1
13	SUPPORT - AIR FILTER		4R4857M01	1	1	1	1
14	POP RIVET	SSD41SSBS(t1.0~1.6)	7170-0006	4	4	4	4
15	AIR FILTER		1R0978G01	1	1	1	1

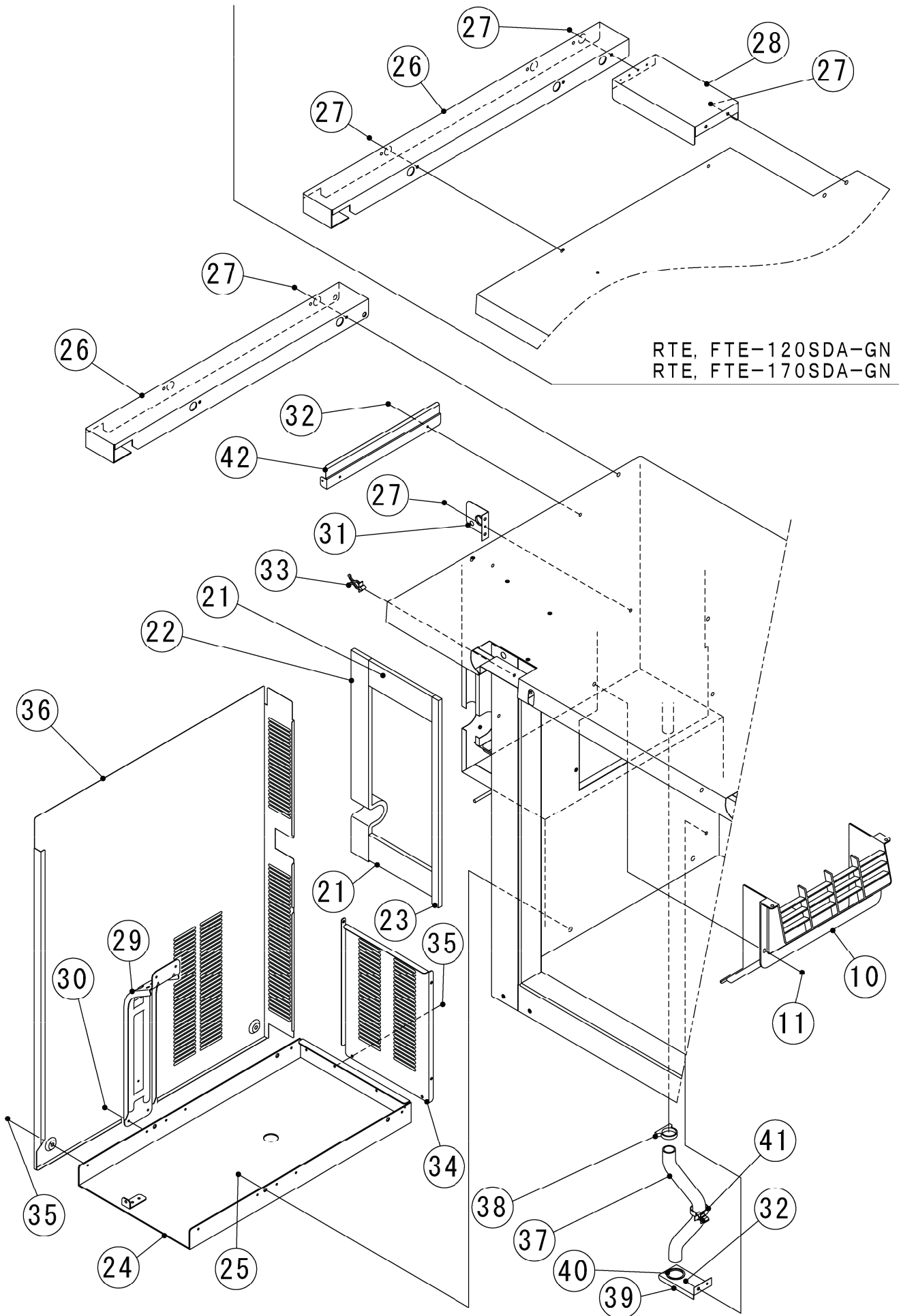
HE

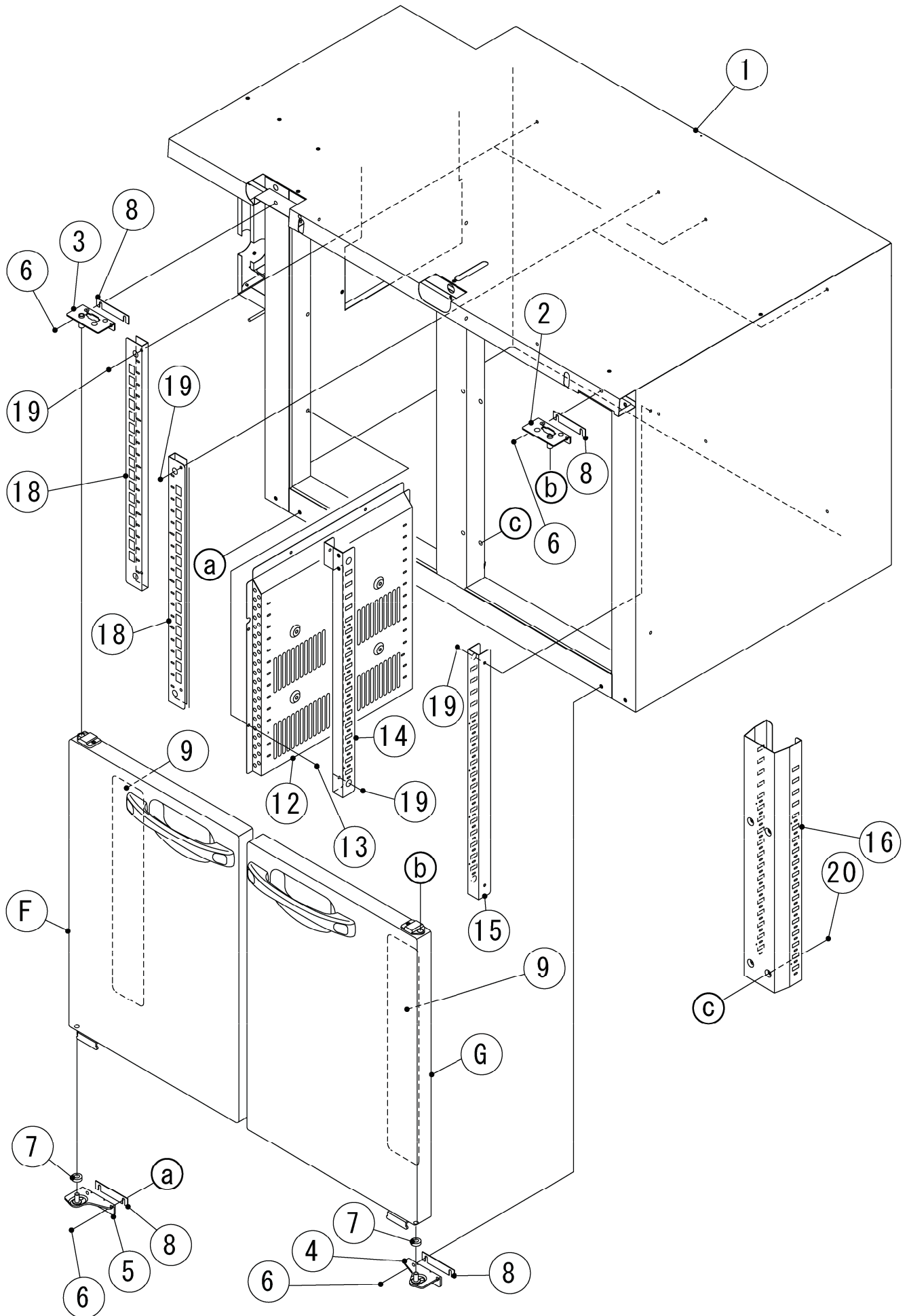
MODEL: RTE,FTE-120SDA-GN RTE,FTE-170SDA-GN RTE,FTE-120SNA RTE,FTE-150SNA RTE,FTE-180SNA		TITLE: A. REFRIGERATOR ASSY					
INDEX NO.	DESCRIPTION	MATERIAL OR MODEL NUMBER	PART NUMBER	REQ'D NUMBER			
				V-1 A-0	A-1 B-0	B-1 C-0	C-1,D-0 E-0
16	POWER SUPPLY CORD - ASSY		3S2341G01	1	1	1	1
		T039-D007,T040-D007 T041-D007,T042-D007 T043-D007,T044-D007 T045-D007,T046-D007 T047-D007,T048-D007 T039-D008,T040-D008 T041-D008,T042-D008 T043-D008,T044-D008 T045-D008,T046-D008 T047-D008,T048-D008 T039-D009,T040-D009 T041-D009,T042-D009	3S2664G01	-	1	1	1
17	BUSHING		448949-01	1	1	1	1
18	PAN HEAD MACHINE SCREW (SPRING WASHER FLAT WASHER)		FSK0550S0	1	1	1	1
19	REGULATOR BOX	FTE-120SDA-GN,170SDA-GN FTE-120SNA,150SNA,180SNA	4R5374G01	1	1	1	1
20	SWITCHING REGULATOR	FTE-120SDA-GN,170SDA-GN FTE-120SNA,150SNA,180SNA	P00036-01	1	1	1	1
21	PAN HEAD TAPPING SCREW T2	FTE-120SDA-GN,170SDA-GN FTE-120SNA,150SNA,180SNA	FT50308F0	4	4	4	4
22	GROMMET	FTE-120SDA-GN,170SDA-GN FTE-120SNA,150SNA,180SNA	410666-02	1	1	1	1
23	CAPACITOR - XYFILTER	FTE-120SDA-GN,170SDA-GN FTE-120SNA,150SNA,180SNA	460523-01	1	1	1	1
24	SPRING WASHER	FTE-120SDA-GN,170SDA-GN FTE-120SNA,150SNA,180SNA	FWSP04S0	1	1	1	1
25	TRUSS HEAD TAPPING SCREW (S-TITE)	FTE-120SDA-GN,170SDA-GN FTE-120SNA,150SNA,180SNA	FTS0408M0	1	1	1	1
26	CLAMP	FTE-120SDA-GN,170SDA-GN FTE-120SNA,150SNA,180SNA	427902-04	2	2	2	2
27	S-TITE TRUSS HEAD SCREW	FTE-120SDA-GN,170SDA-GN FTE-120SNA,150SNA,180SNA	FTS0406M0	1	1	1	1
28	TRANSFORMER	T039-D009, T040-D009 T041-D009,T042-D009	P04143-01	-	-	-	1
29	COVER	T039-D009, T040-D009 T041-D009,T042-D009	3S6106M01	-	-	-	1

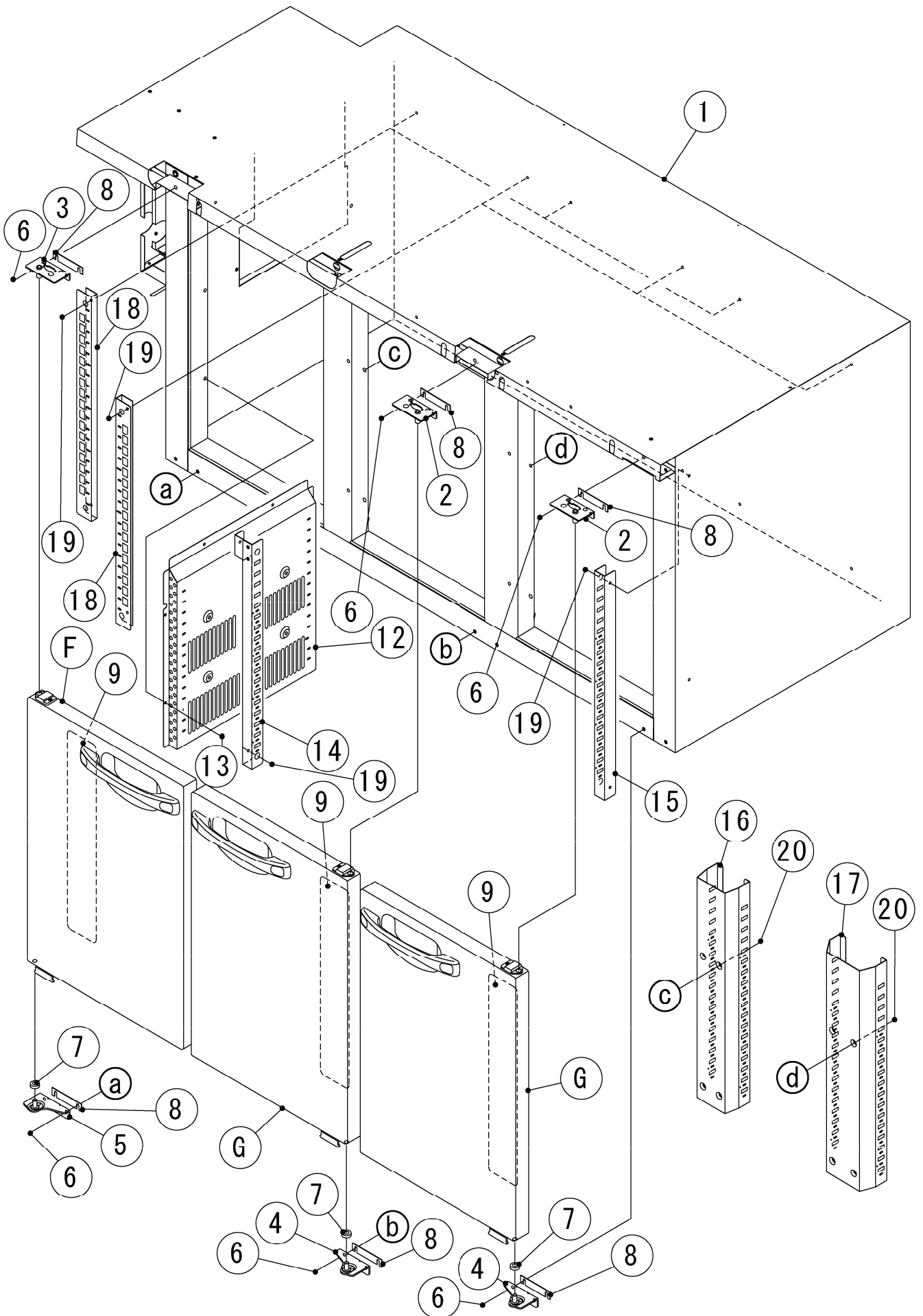
RTE, FTE-120SDA-GN
RTE, FTE-170SDA-GN
RTE, FTE-120SNA
RTE, FTE-150SNA
RTE, FTE-180SNA

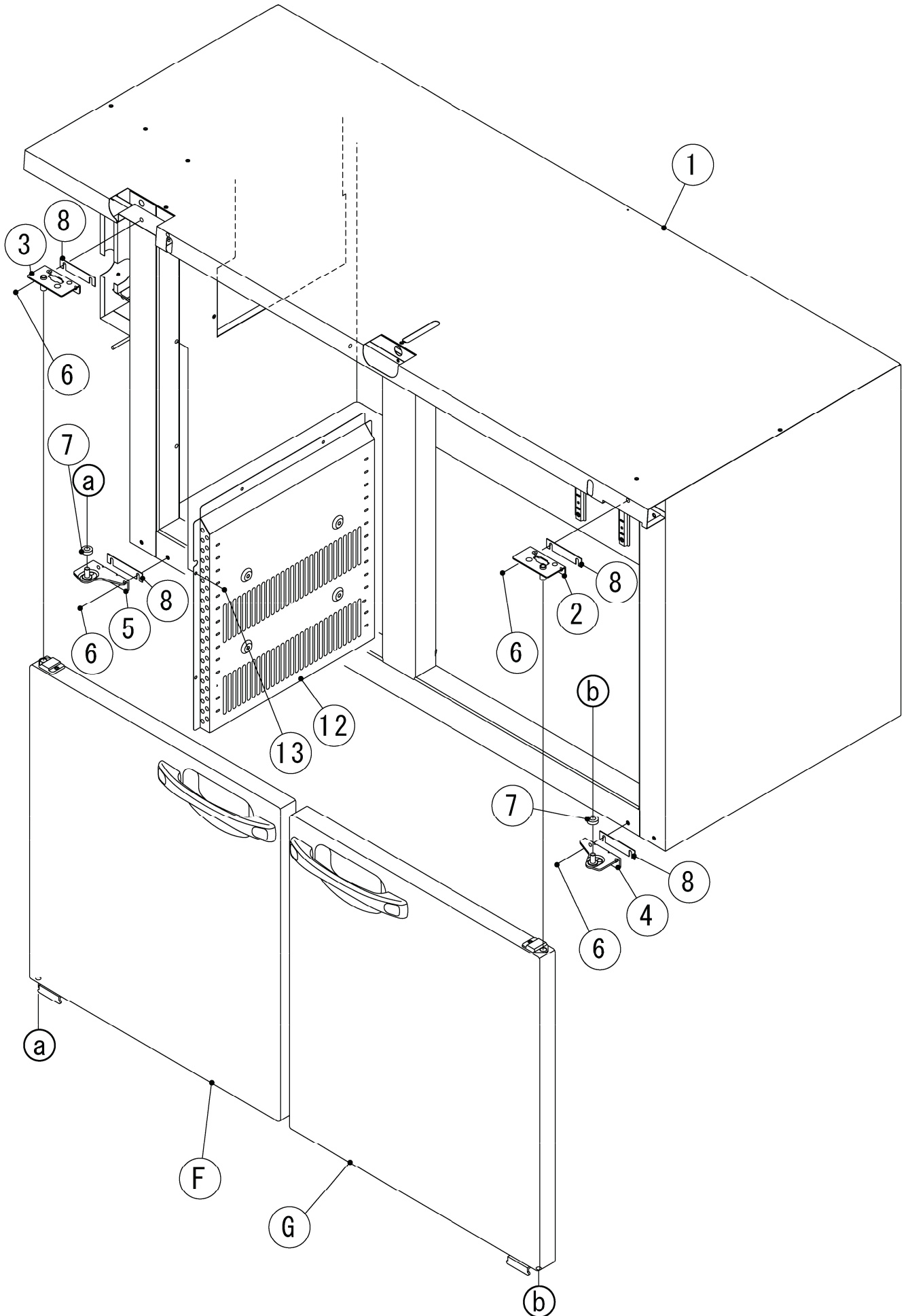
B. BODY AY (1/2)

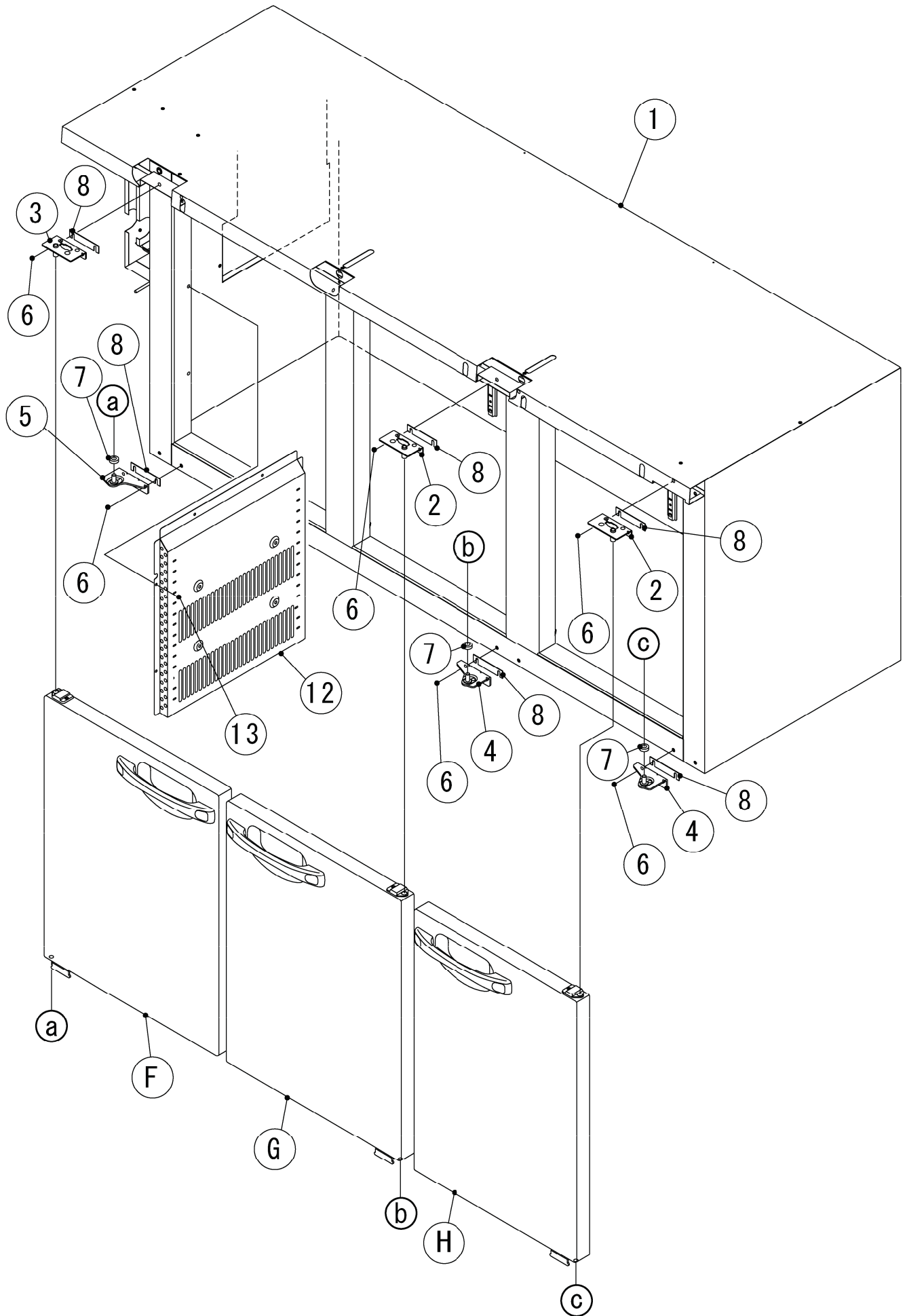
(V-1) and later











HE

MODEL: RTE,FTE-120SDA-GN RTE,FTE-170SDA-GN RTE,FTE-120SNA RTE,FTE-150SNA RTE,FTE-180SNA		TITLE: B. BODY ASSY					
INDEX NO.	DESCRIPTION	MATERIAL OR MODEL NUMBER	PART NUMBER	REQ'D NUMBER			
				V-1 A-0	A-1 B-0	B-1 C-0	C-1,D-0 E-0
F	DOOR L, ASSY	RTE,FTE-120SDA-GN,170SDA-GN	2R4238A04 (S-22939)	1	1	-	-
			2R6453A04 (S-24868)	-	-	1	1
		RTE,FTE-120SNA	2R4238A03 (S-21729)	1	1	-	-
			2R6453A04 (S-24868)	-	-	1	1
		RTE,FTE-150SNA	2R4238A01 (S-21725)	1	1	-	-
			2R6453A01 (S-24869)	-	-	1	1
		RTE,FTE-180SNA	2R4238A02 (S-21727)	1	1	-	-
			2R6453A02 (S-24870)	-	-	1	1
		T039-D009,T040-D009	2R9222A03 (S-27590)	-	-	-	1
		T041-D009,T042-D009	2R9222A06 (S-27596)	-	-	-	1
G	DOOR R, ASSY	RTE,FTE-120SDA-GN	2R4239A05 (S-22940)	1	1	-	-
			2R6454A04 (S-24871)	-	-	1	1
		RTE,FTE-170SDA-GN	2R4239A05 (S-22940)	2	2	-	-
			2R6454A04 (S-24871)	-	-	2	2
		T040-D009,T042-D009	2R6454A04 (S-24871)	-	-	-	1
		RTE,FTE-120SNA	2R4239A04 (S-21730)	1	1	-	-
			2R6454A04 (S-24871)	-	-	1	1
		RTE,FTE-150SNA	2R4239A01 (S-21726)	1	1	-	-
			2R6454A01 (S-24872)	-	-	1	1
		RTE,FTE-180SNA	2R4239A02 (S-21728)	1	1	-	-
			2R6454A02 (S-24873)	-	-	1	1
		T039-D009,T040-D009	2R9223A03 (S-27593)	-	-	-	1
		T041-D009,T042-D009	2R9223A06 (S-27599)	-	-	-	1
H	DOOR R, ASSY	RTE,FTE-180SNA	2R4239A03 (S-21731)	1	1	-	-
			2R6454A03 (S-24874)	-	-	1	1

HE

MODEL: RTE,FTE-120SDA-GN RTE,FTE-170SDA-GN RTE,FTE-120SNA RTE,FTE-150SNA RTE,FTE-180SNA		TITLE: B. BODY ASSY					
INDEX NO.	DESCRIPTION	MATERIAL OR MODEL NUMBER	PART NUMBER	REQ'D NUMBER			
				V-1 A-0	A-1 B-0	B-1 C-0	C-1,D-0 E-0
1	BODY	RTE-120SDA-GN	1R2699G01	1	1	-	-
			1R3398G01	-	-	1	1
		RTE-170SDA-GN	1R2679G01	1	1	-	-
			1R3401G01	-	-	1	1
		FTE-120SDA-GN	1R2699G02	1	1	-	-
			1R3398G02	-	-	1	1
		FTE-170SDA-GN	1R2679G02	1	1	-	-
			1R3401G02	-	-	1	1
		RTE-120SNA	1R2702G01	1	1	-	-
			1R3406G01	-	-	1	1
		RTE-150SNA	1R2705G01	1	1	-	-
			1R3409G01	-	-	1	1
		RTE-180SNA	1R2708G01	1	1	-	-
			1R3412G01	-	-	1	1
		FTE-120SNA	1R2702G02	1	1	-	-
			1R3406G02	-	-	1	1
		FTE-150SNA	1R2705G02	1	1	-	-
			1R3409G02	-	-	1	1
		FTE-180SNA	1R2708G02	1	1	-	-
			1R3412G02	-	-	1	1
T039-D009		1R3398003	-	-	-	1	
T040-D009		1R3401003	-	-	-	1	
T041-D009		1R3398004	-	-	-	1	
T042-D009		1R3401004	-	-	-	1	
2	DOOR HINGE UP, R	RTE,FTE-120SDA-GN RTE,FTE-120SNA,150SNA	4R1716G02	1	1	-	-
		RTE,FTE-120SDA-GN RTE,FTE-120SNA,150SNA	375315G01	-	-	1	1
		RTE,FTE-170SDA-GN RTE,FTE-180SNA	4R1716G02	2	2	-	-
		RTE,FTE-170SDA-GN RTE,FTE-180SNA	375315G01	-	-	2	2
		T040-D009,T042-D009		-	-	-	1

HE

MODEL: RTE,FTE-120SDA-GN RTE,FTE-170SDA-GN RTE,FTE-120SNA RTE,FTE-150SNA RTE,FTE-180SNA				TITLE: B. BODY ASSY			
INDEX NO.	DESCRIPTION	MATERIAL OR MODEL NUMBER	PART NUMBER	REQ'D NUMBER			
				V-1 A-0	A-1 B-0	B-1 C-0	C-1,D-0 E-0
2	DOOR HINGE UP, R	T039-D009,T040-D009 T041-D009,T042-D009	382281G01	-	-	-	1
3	DOOR HINGE UP, L		4R1716G01	1	1	-	-
			375318G01	-	-	1	1
		T039-D009,T040-D009 T041-D009,T042-D009	382283G01	-	-	-	1
4	DOOR HINDGE LO, R	RTE,FTE-120SDA-GN RTE,FTE-120SNA,150SNA	332912G01	1	1	-	-
		RTE,FTE-120SDA-GN RTE,FTE-120SNA,150SNA	375316G01	-	-	1	1
		RTE,FTE-170SDA-GN RTE,FTE-180SNA	332912G01	2	2	-	-
		RTE,FTE-170SDA-GN RTE,FTE-180SNA	375316G01	-	-	2	2
5	DOOR HINGE LO, L		332913G01	1	1	-	-
			375319G01	-	-	1	1
6	HEX HEAD BOLT (SPRING WASHER AND FLAT WASHER)	RTE,FTE-120SDA-GN RTE,FTE-120SNA,150SNA	FBK0516S0	8	8	-	-
		RTE,FTE-170SDA-GN RTE,FTE-180SNA	FBK0516S0	12	12	-	-
6	FLANGE BOLT (S-TITE)	RTE,FTE-120SDA-GN RTE,FTE-120SNA,150SNA	445994-03	-	-	8	8
		RTE,FTE-170SDA-GN RTE,FTE-180SNA		-	-	12	12
7	HINGE COLLOR	RTE,FTE-120SDA-GN RTE,FTE-120SNA,150SNA	4H7429-01	2	2	-	-
		RTE,FTE-120SDA-GN RTE,FTE-120SNA,150SNA	339948-01	-	-	2	2
		RTE,FTE-170SDA-GN RTE,FTE-180SNA	4H7429-01	3	3	-	-
		RTE,FTE-170SDA-GN RTE,FTE-180SNA	339948-01	-	-	3	3

HE

MODEL: RTE,FTE-120SDA-GN RTE,FTE-170SDA-GN RTE,FTE-120SNA RTE,FTE-150SNA RTE,FTE-180SNA				TITLE: B. BODY ASSY			
INDEX NO.	DESCRIPTION	MATERIAL OR MODEL NUMBER	PART NUMBER	REQ'D NUMBER			
				V-1 A-0	A-1 B-0	B-1 C-0	C-1,D-0 E-0
8	HINGE SPACER	RTE,FTE-120SDA-GN RTE,FTE-120SNA,150SNA	4R6106M01	4	4	-	-
		RTE,FTE-170SDA-GN RTE,FTE-180SNA	4R6106M01	6	6	-	-
9	PANEL - DOOR INTERIOR	RTE,FTE-120SDA-GN	4R5484M01	2	2	2	2
		RTE,FTE-170SDA-GN	4R5484M01	3	3	3	3
10	DUCT		1R0514-01	1	1	1	1
11	TRUSS HEAD TAPPING SCREW T1		FT10410M0	3	3	3	3
12	DUCT B		2R3997M01	1	1	1	1
13	TRUSS HEAD TAPPING SCREW T1		FT10408M0	5	5	5	5
14	STAY A	RTE,FTE-120SDA-GN,170SDA-GN	3S2480G01	1	1	1	1
15	STAY B	RTE,FTE-120SDA-GN,170SDA-GN	3S2472M01	1	1	1	1
16	STAY - CENTER FRAME A	RTE,FTE-120SDA-GN,170SDA-GN	3S2473M01	1	1	1	1
17	STAY - CENTER FRAME B	RTE,FTE-170SDA-GN	3S2474M01	1	1	1	1
18	STAY - REAR	RTE,FTE-120SDA-GN	3S2475M01	4	4	4	4
		RTE,FTE-170SDA-GN	3S2475M01	6	6	6	6
19	TRUSS HEAD MACHINE SCREW	RTE,FTE-120SDA-GN	FST0408S0	12	12	12	12
		RTE,FTE-170SDA-GN	FST0408S0	16	16	16	16
20	TRUSS HEAD TAPPING SCREW T1	RTE,FTE-120SDA-GN	FT10416M0	4	4	4	4
		RTE,FTE-170SDA-GN	FT10416M0	8	8	8	8
21	SOFT SEAL A		4R2901-01	2	2	2	2
22	SOFT SEAL B		4R2901-02	1	1	1	1
23	SOFT SEAL C		4R2901-03	1	1	1	1
24	BASE		3S2671G01	1	1	1	1
25	FLANGE BOLT (S-TITE)		FTQ0512F0	2	2	2	2
26	BRACKET - TOP PANEL	RTE,FTE-120SDA-GN,170SDA-GN	2R5021M01	1	1	1	1
		RTE,FTE-120SNA,150SNA,180SNA	2R5102M01	1	1	1	1
27	TRUSS HEAD TAPPING SCREW T2	RTE,FTE-120SDA-GN,170SDA-GN	FT20408F0	5	3	4	4
		RTE,FTE-120SNA,150SNA,180SNA	FT20408F0	2	2	3	3
28	SUPPORT - TOP PANEL	RTE,FTE-120SDA-GN,170SDA-GN	3S2369M01	1	-	-	-

HE

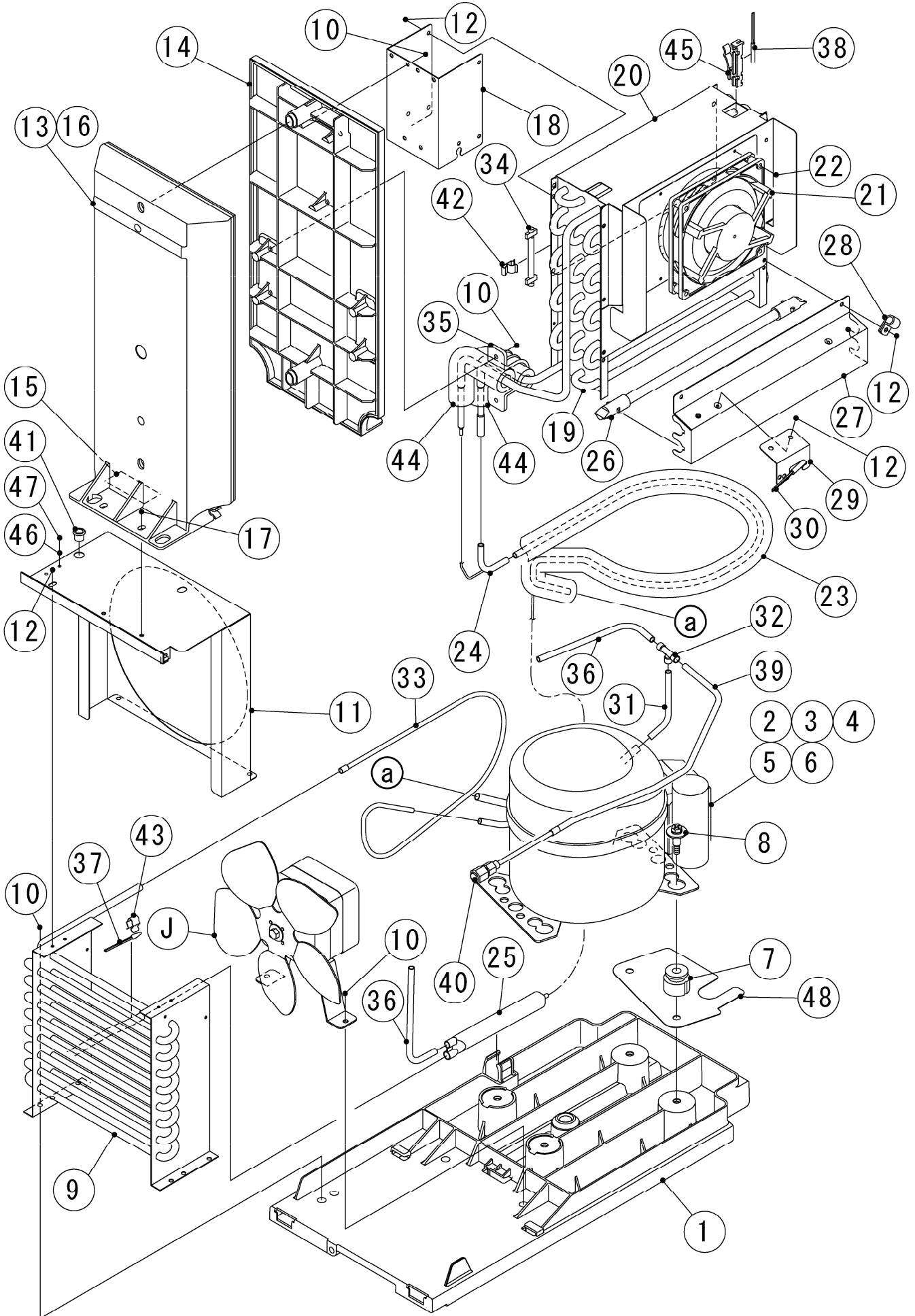
MODEL: RTE,FTE-120SDA-GN RTE,FTE-170SDA-GN RTE,FTE-120SNA RTE,FTE-150SNA RTE,FTE-180SNA				TITLE: B. BODY ASSY			
INDEX NO.	DESCRIPTION	MATERIAL OR MODEL NUMBER	PART NUMBER	REQ'D NUMBER			
				V-1 A-0	A-1 B-0	B-1 C-0	C-1,D-0 E-0
29	FRAME A - UNIT		3R6934-01	1	1	1	1
30	RIVET	SSD42SSBS(t1.6~3.2)	7170-0002	4	4	4	4
31	BRACKET - CORD		4R4470M01	1	1	1	1
32	POP RIVET	RTE-120SDA-GN,170SDA-GN RTE-120SNA,150SNA,180SNA	7170-0006	2	2	1	1
		FTE-120SDA-GN,170SDA-GN FTE-120SNA,150SNA,180SNA	7170-0006	4	4	3	3
33	CLAMP	No.249	427902-03	1	1	1	1
34	LUVER - UNIT		3S2672M01	1	1	1	1
35	TRUSS HEAD TAPPING SCREW T2		FT20408M0	7	7	7	7
36	SIDE PANEL - UNIT		2R4015M01	1	1	1	1
37	HOSE		4R1266-19	1	1	1	1
38	HOSE CLAMP		435947-14	1	1	1	1
39	BRACKET - HOSE		4R5439M01	1	1	1	1
40	BUSHING		420470-03	1	1	1	1
41	CABLESTRAP 1764		430361-02	1	1	1	1
42	RAIL - BOX	FTE-120SDA-GN,170SDA-GN FTE-120SNA,150SNA,180SNA	4R5373M01	1	1	1	1

(S-22836)

RTE-120SDA-GN
RTE-170SDA-GN
RTE-120SNA
RTE-150SNA
RTE-180SNA

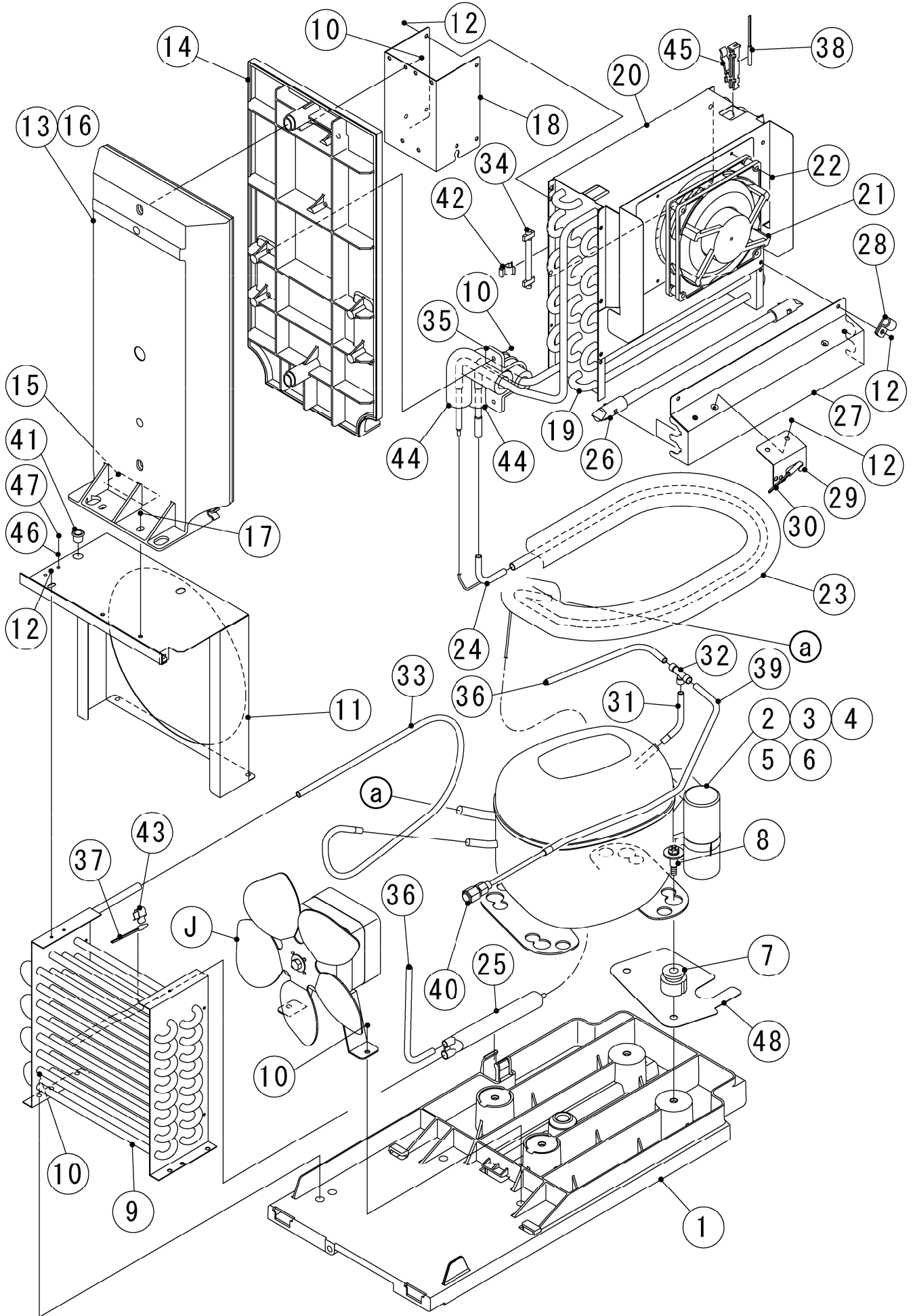
C. REFRIGERATION UNIT

(V-1) and later

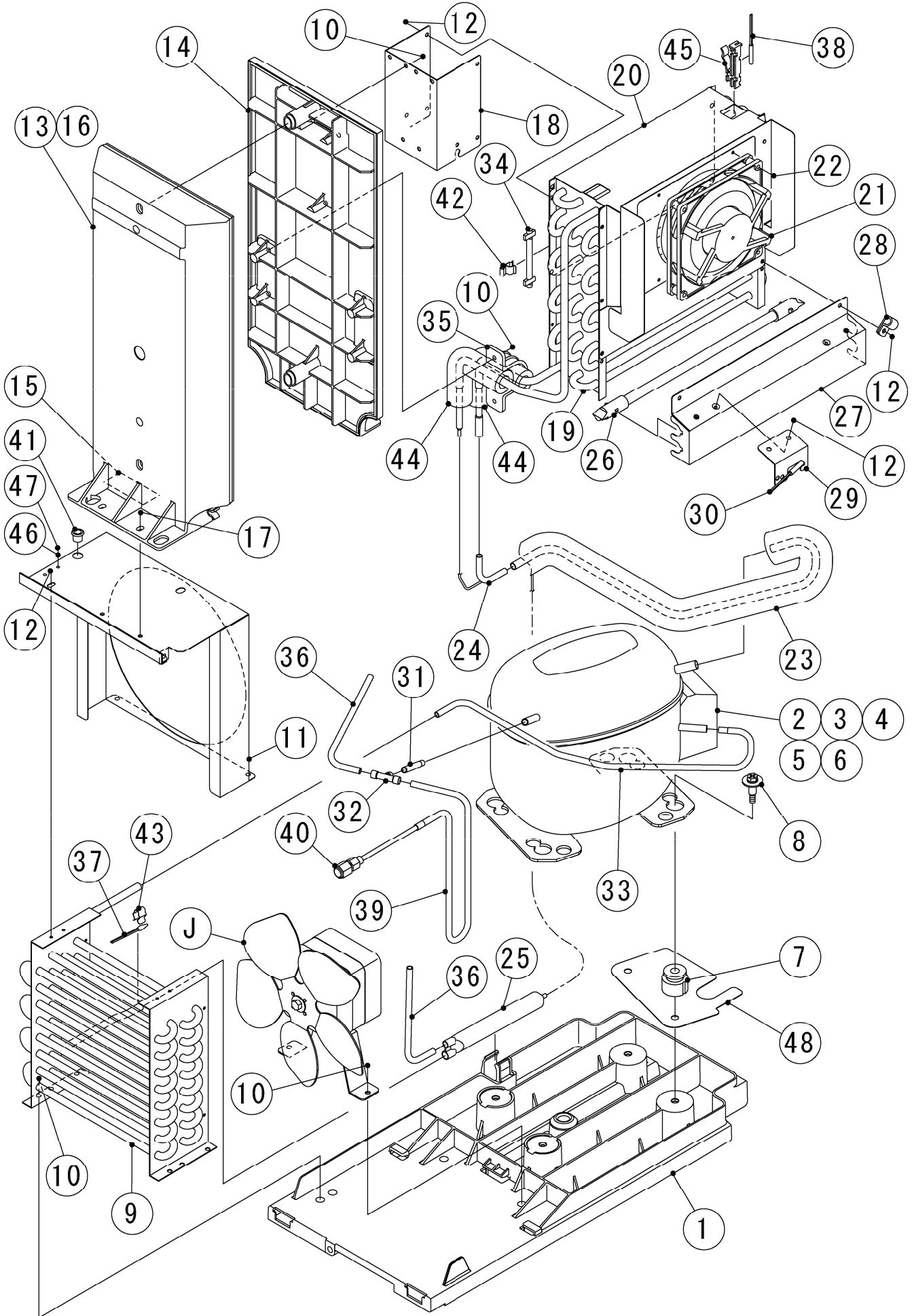


C. REFRIGERATION UNIT

(V-1) and later



C. REFRIGERATION UNIT



HE

MODEL: RTE,FTE-120SDA-GN RTE,FTE-170SDA-GN RTE,FTE-120SNA RTE,FTE-150SNA RTE,FTE-180SNA				TITLE: C. REFRIGERATION UNIT			
INDEX NO.	DESCRIPTION	MATERIAL OR MODEL NUMBER	PART NUMBER	REQ'D NUMBER			
				V-1 A-0	A-1 B-0	B-1 C-0	C-1,D-0 E-0
J	FAN MOTOR ASSY		3S0697A01	1	1	1	1
1	BASE - COMP ASSY		3S2714G01	1	1	1	1
2	COMPRESSOR	RTE-120SDA-GN,170SDA-GN RTE-120SNA,150SNA,180SNA	P01435-02	1	1	1	1
		FTE-120SDA-GN,120SNA,150SNA	P01944-01	1	1	1	1
		FTE-170SDA-GN,180SNA	4R2781-01	1	1	1	1
3	STARTING RELAY	RTE-120SDA-GN,170SDA-GN RTE-120SNA,150SNA,180SNA	451264-01	1	1	1	1
		FTE-120SDA-GN,120SNA,150SNA	451197-01	1	1	1	1
	STARTER	FTE-170SDA-GN,180SNA	455607-01	1	1	1	1
4	START CAPACITOR	RTE-120SDA-GN,170SDA-GN RTE-120SNA,150SNA,180SNA	452765-01	1	1	1	1
	STARTING CAPACITOR	FTE-120SDA-GN,120SNA,150SNA	450898-01	1	1	1	1
	START CAPACITOR	FTE-170SDA-GN,180SNA	456350-01	1	1	1	1
5	CORD RELIEF	RTE-120SDA-GN,170SDA-GN RTE-120SNA,150SNA,180SNA FTE-120SDA-GN,120SNA,150SNA	4A3264-01	1	1	1	1
		FTE-170SDA-GN,180SNA	452239-01	1	1	1	1
6	COVER	RTE-120SDA-GN,170SDA-GN RTE-120SNA,150SNA,180SNA FTE-120SDA-GN,120SNA,150SNA	450896-01	1	1	1	1
		FTE-170SDA-GN,180SNA	459924-01	1	1	1	1
7	RUBBER GROMMET		450897-01	4	4	4	4
8	BOLT		468180-01	3	3	3	3
9	CONDENSER	RTE-120SDA-GN,170SDA-GN RTE-120SNA,150SNA,180SNA	P01336-01	1	1	1	1
		FTE-120SDA-GN,170SDA-GN FTE-120,150,180SNA	P01590-01	1	1	1	1
10	TRUSS HEAD TAPPING SCREW T1		FT10416M0	9	9	9	9
11	SHROUD		3S2467M01	1	1	1	1
12	TRUSS HEAD TAPPING SCREW T2		FT20408M0	12	12	12	12
13	EVAP BOX PANEL - OUTER		1R1001-01	1	1	1	1
14	EVAP BOX PANEL - INNER		1R1002-01	1	1	1	1

HE

MODEL: RTE,FTE-120SDA-GN RTE,FTE-170SDA-GN RTE,FTE-120SNA RTE,FTE-150SNA RTE,FTE-180SNA				TITLE: C. REFRIGERATION UNIT			
INDEX NO.	DESCRIPTION	MATERIAL OR MODEL NUMBER	PART NUMBER	REQ'D NUMBER			
				V-1 A-0	A-1 B-0	B-1 C-0	C-1,D-0 E-0
15	SEAL		444925-01	1	1	1	1
16	FEELD FORMING		3R7874-04	1	1	1	1
17	HEX HEAD BOLT (SPRING WASHER AND FLAT WASHER)		FBK0510S0	2	2	2	2
18	EVAP BRACKET		3S2045M01	1	1	1	1
19	EVAPORATOR		P01652-01	1	1	1	1
20	EVAP COVER		3S2047G01	1	1	1	1
21	FAN MOTOR C		469067G01	1	1	1	1
22	PAN HEAD MACHINE SCREW (SPRING WASHER AND FLAT WASHER)		FSK0430S0	4	4	4	4
23	HEAT EXCHANGER	RTE-120SDA-GN,170SDA-GN RTE-120SNA,150SNA,180SNA	3S2391G01	1	1	1	1
		FTE-120SDA-GN,120SNA,150SNA	3S2392G01	1	1	1	1
		FTE-170SDA-GN,180SNA	3S2393G01	1	1	1	1
24	PIPE L		4R4478M01	1	1	1	1
25	DRIER	DY-15QHD-11	458774-01	1	1	1	1
26	HEATER - GLASS TUBE	RTE-120SDA-GN,170SDA-GN RTE-120SNA,150SNA,180SNA	C06417-01	1	1	1	1
		FTE-120SDA-GN,170SDA-GN FTE-120,150,180SNA	C06417-01	2	2	2	2
27	COVER - HEATER		3S0687M01	1	1	1	1
28	CORD BAND B		402245-02	1	1	1	1
29	THERMISTOR PLATE		4R1237-01	1	1	1	1
30	THERMISTOR - CABINET		4R2691-03	1	1	1	1
31	PIPE - PROCESS	RTE-120SDA-GN,170SDA-GN RTE-120SNA,150SNA,180SNA	4R5443M01	1	1	1	1
		FTE-120SDA-GN,120SNA,150SNA	4R5446M01	1	1	1	1
		FTE-170SDA-GN,180SNA	4R5449M01	1	1	1	1
32	TEE		417394-01	1	1	1	1
33	PIPE - DISCHARGE	RTE-120SDA-GN,170SDA-GN RTE-120SNA,150SNA,180SNA	4R5442M01	1	1	1	1
		FTE-120SDA-GN,120SNA,150SNA	4R5445M01	1	1	1	1
33	PIPE - DISCHARGE	FTE-170SDA-GN,180SNA	4R5448M01	1	1	1	1
34	FUSE		P01103-01	1	1	1	1

HE

MODEL: RTE,FTE-120SDA-GN RTE,FTE-170SDA-GN RTE,FTE-120SNA RTE,FTE-150SNA RTE,FTE-180SNA				TITLE: C. REFRIGERATION UNIT			
INDEX NO.	DESCRIPTION	MATERIAL OR MODEL NUMBER	PART NUMBER	REQ'D NUMBER			
				V-1 A-0	A-1 B-0	B-1 C-0	C-1,D-0 E-0
35	BRACKET - PIPE		4R2831-01	1	1	1	1
36	PIPE A		4H1294-03	2	2	2	2
37	THERMISTOR - FILTER		4R2692-02	1	1	1	1
38	THERMISTOR - DEFROST		4R2690-01	1	1	1	1
39	PIPE - LO	RTE-120SDA-GN,170SDA-GN RTE-120SNA,150SNA,180SNA	4R5444M01	1	1	1	1
		FTE-120SDA-GN,120SNA,150SNA	4R5447M01	1	1	1	1
		FTE-170SDA-GN,180SNA	4R5450M01	1	1	1	1
40	ACCESS VALVE		455119-01	1	1	1	1
41	BUSHING		420470-07	1	1	1	1
42	CLIP - FUSE		4R2937-01	1	1	1	1
43	CLIP - THERMISTOR		4R2938-01	1	1	1	1
44	INSULATION TUBE		4R4625P01	2	2	2	2
45	THEMISTER HOLDER		321606-01	1	1	1	1
46	SPRING WASHER		FWSP04S0	1	1	1	1
47	TRUSS HEAD SCREW		FST0408S0	1	1	1	1
48	PANEL - COMP		4R5611M01	1	1	1	1

(S-21984, 22941)

RTE, FTE-120SDA-GN

RTE, FTE-170SDA-GN

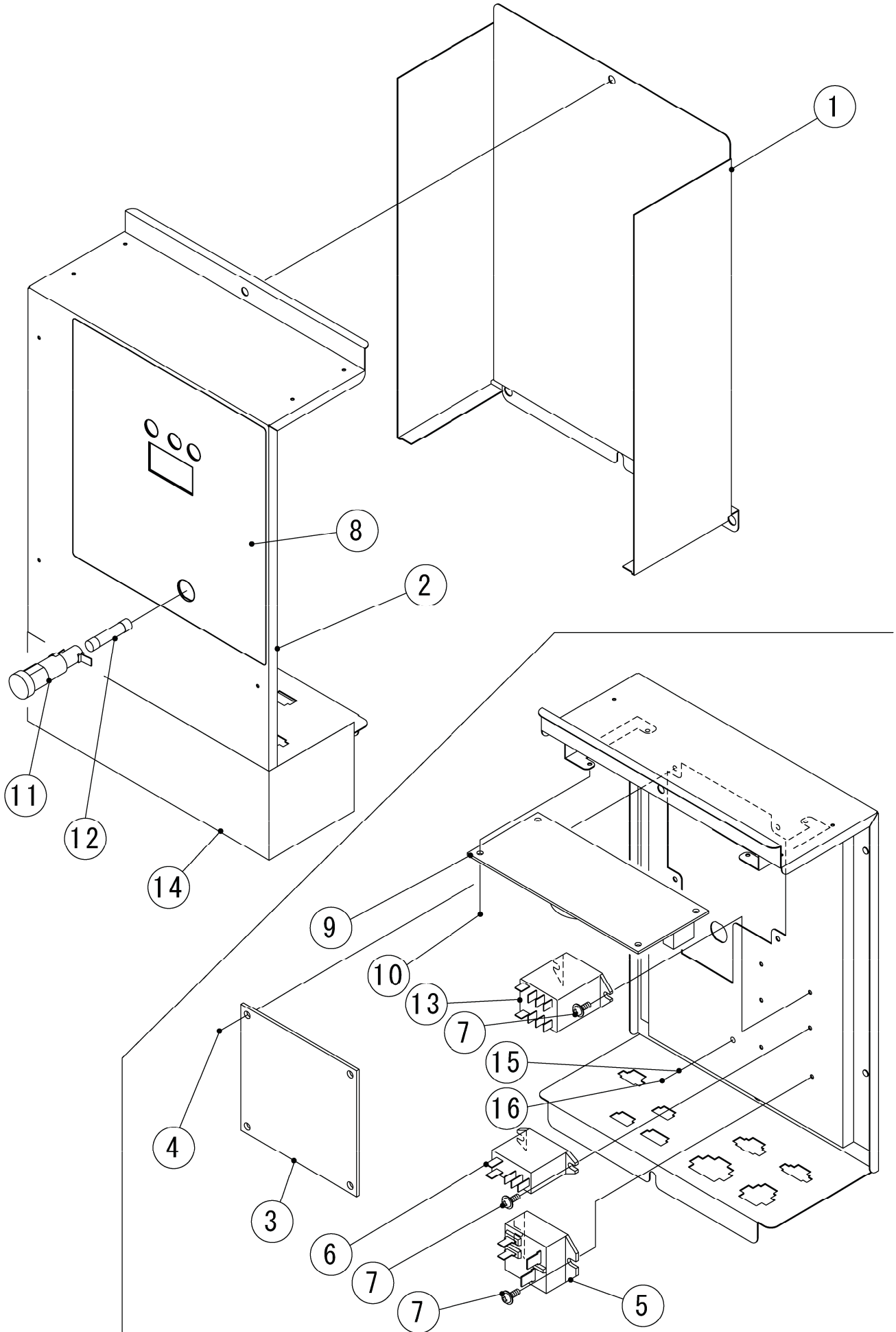
RTE, FTE-120SNA

RTE, FTE-150SNA

RTE, FTE-180SNA

D. CONTROL BOX AY

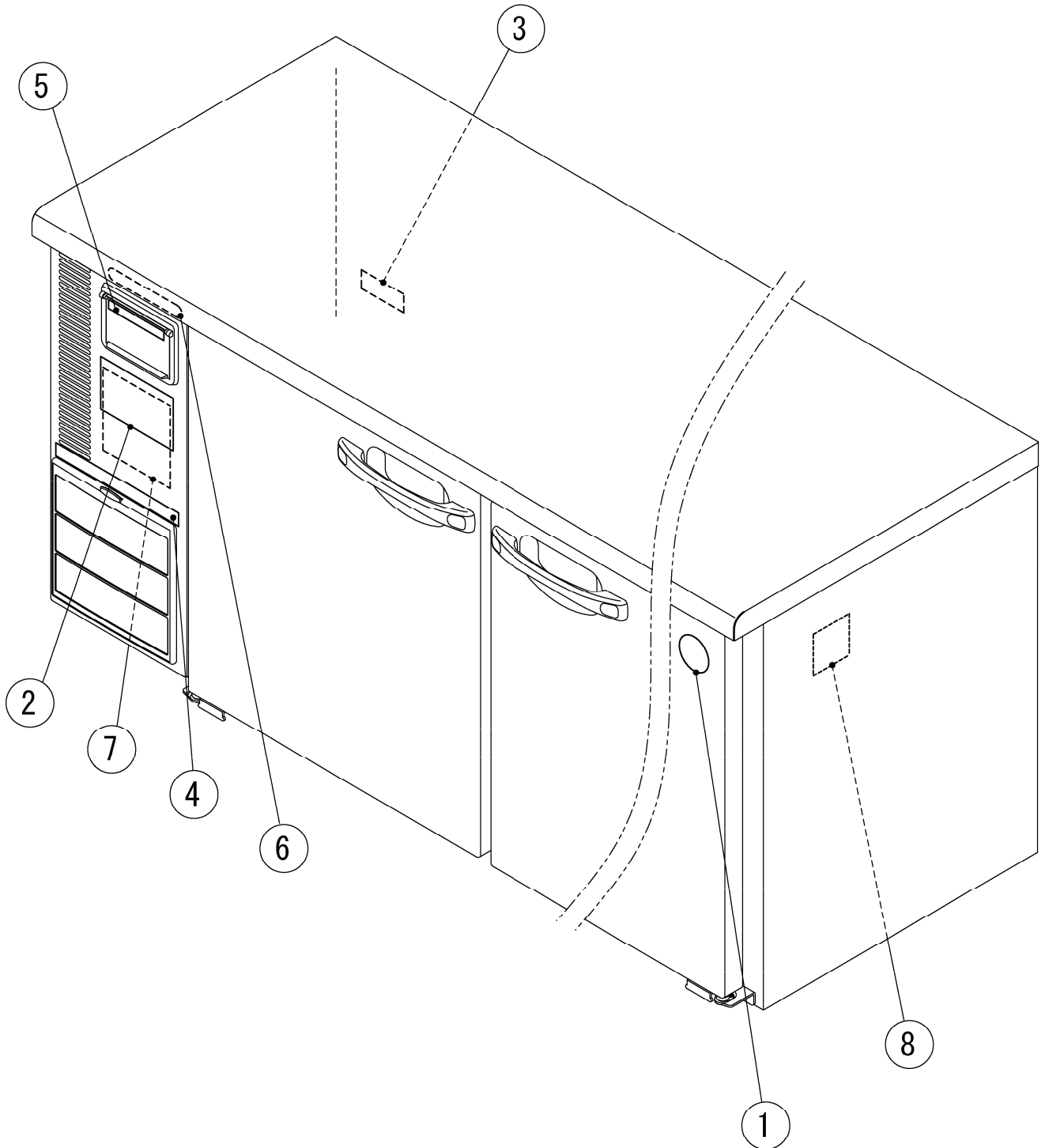
(V-1) and later



RTE, FTE-120SDA-GN
RTE, FTE-170SDA-GN
RTE, FTE-120SNA
RTE, FTE-150SNA
RTE, FTE-180SNA

E. LABEL LOCATION

(V-1) and later



(S-21725, 21727, 21729, 22939, 24870, 24869, 24868,)

RTE, FTE-120SDA-GN

RTE, FTE-170SDA-GN

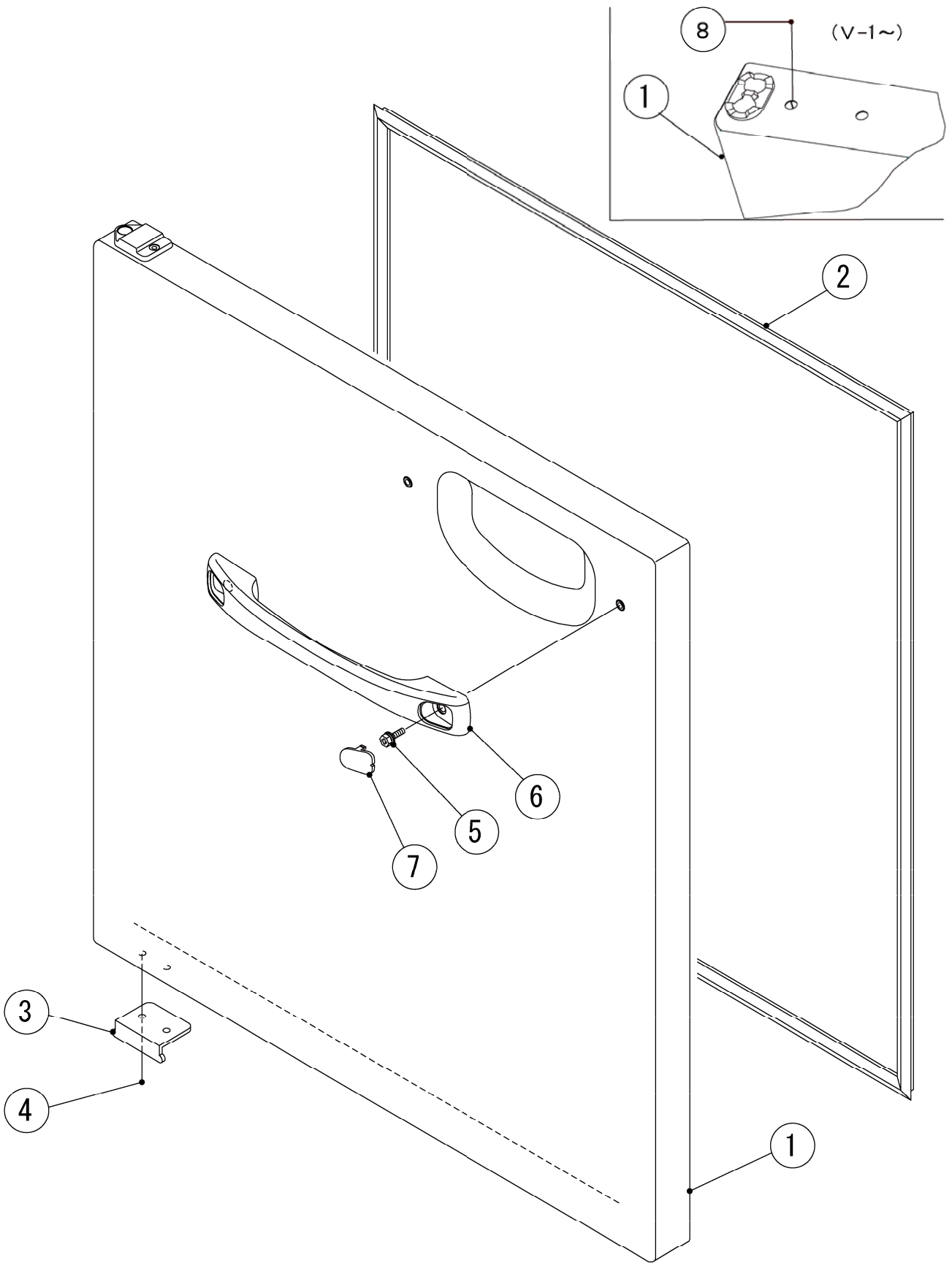
RTE, FTE-120SNA

RTE, FTE-150SNA

RTE, FTE-180SNA

F. DOOR L, AY

(V-1) and later

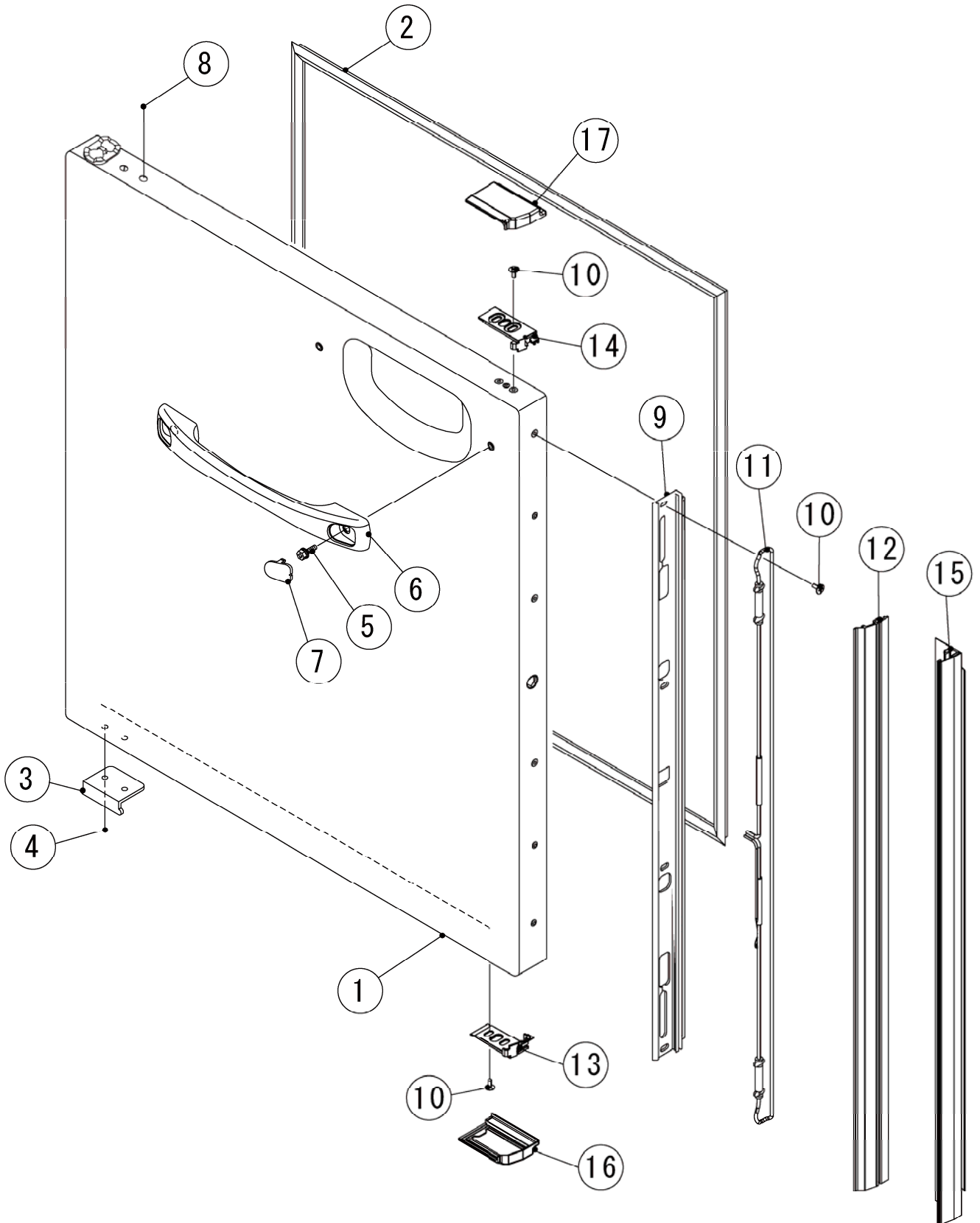


(S-27590, 27596)

RTE, FTE-120SDA-GN-ML
RTE, FTE-170SDA-GN-ML

F. DOOR L, AY

(C-1) and later



HE

MODEL: RTE,FTE-120SDA-GN RTE,FTE-170SDA-GN RTE,FTE-120SNA RTE,FTE-150SNA RTE,FTE-180SNA		TITLE: F. DOOR L, ASSY (S-22939,S-24868,S-21729,S-21725) (S-24869,S-21727,S-24870) (S-27590,S-27596)					
INDEX NO.	DESCRIPTION	MATERIAL OR MODEL NUMBER	PART NUMBER	REQ'D NUMBER			
				V-1 A-0	A-1 B-0	B-1 C-0	C-1,D-0 E-0
1	DOOR L - INSULATION	RTE,FTE-120SDA-GN,170SDA-GN	2R4193G04	1	1	-	-
			2R6455G04	-	-	1	1
		RTE,FTE-120SNA	2R4193G03	1	1	-	-
			2R6455G04	-	-	1	1
		RTE,FTE-150SNA	2R4193G01	1	1	-	-
			2R6455G01	-	-	1	1
		RTE,FTE-180SNA	2R4193G02	1	1	-	-
			2R6455G02	-	-	1	1
T039-D009,T040-D009 T041-D009,T042-D009	2R9220G03	-	-	-	1		
2	DOOR GASKET	RTE,FTE-120SDA-GN,170SDA-GN	2R5297G01	1	1	1	1
			2R3725G05	1	1	-	-
		RTE,FTE-120SNA	2R5297G01	-	-	1	1
			2R3725G01	1	1	-	-
		RTE,FTE-150SNA	2R5297G04	-	-	1	1
			2R3725G03	1	1	-	-
RTE,FTE-180SNA	2R5297G03	-	-	1	1		
	3	DOOR STOPPER A	4H7409-01	1	1	-	-
454210-01			-	-	1	1	
4	HEX HEAD BOLT		FBH0512S0	2	2	-	-
	FLAT HEAD TAPPING SCREW(S-TITE)		FTF0512M0	-	-	2	2
5	SCREW - BOLT		P02006-01	2	2	2	2
6	HANDLE		265707P01	1	1	1	1
7	CAP - HANDLE		379360P01	2	2	2	2
8	TRUSS HEAD SCREW		FST0508S0	-	-	2	2
9	BASE	T039-D009,T040-D009 T041-D009,T042-D009	3S5514P02	-	-	-	1
10	SCREW	T039-D009,T040-D009 T041-D009,T042-D009	4Y1319-05	-	-	-	8
11	CORD HEATER	T039-D009,T040-D009 T041-D009,T042-D009	P03964-03	-	-	-	1
12	COVER - CORD HEATER	T039-D009,T040-D009 T041-D009,T042-D009	4R7003P01	-	-	-	1
13	CAP - END LO,A	T039-D009,T040-D009 T041-D009,T042-D009	3S5643P01	-	-	-	1

(S-21726, 21728, 21730, 22940, 24872, 24873)

RTE, FTE-120SDA-GN

RTE, FTE-170SDA-GN

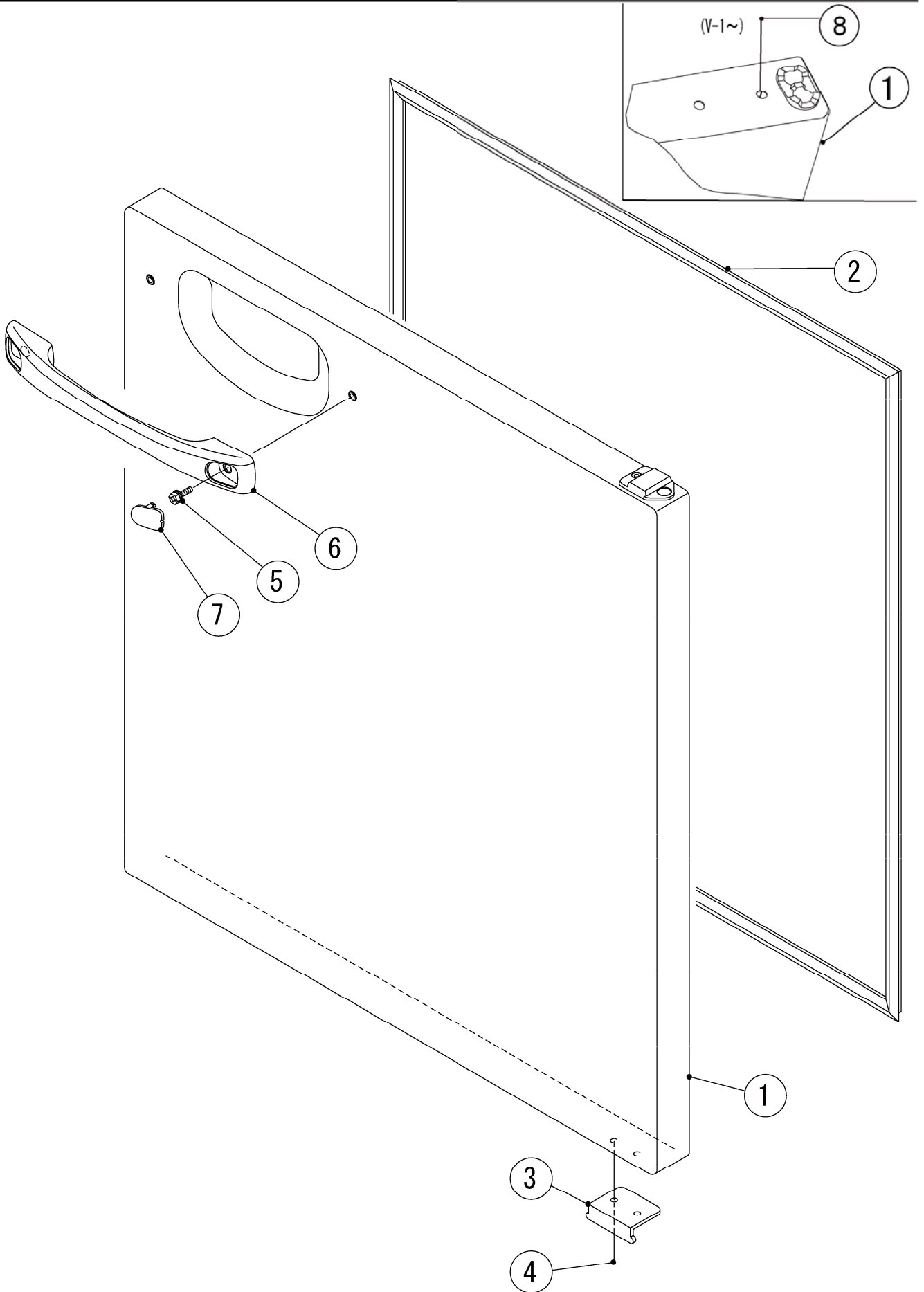
RTE, FTE-120SNA

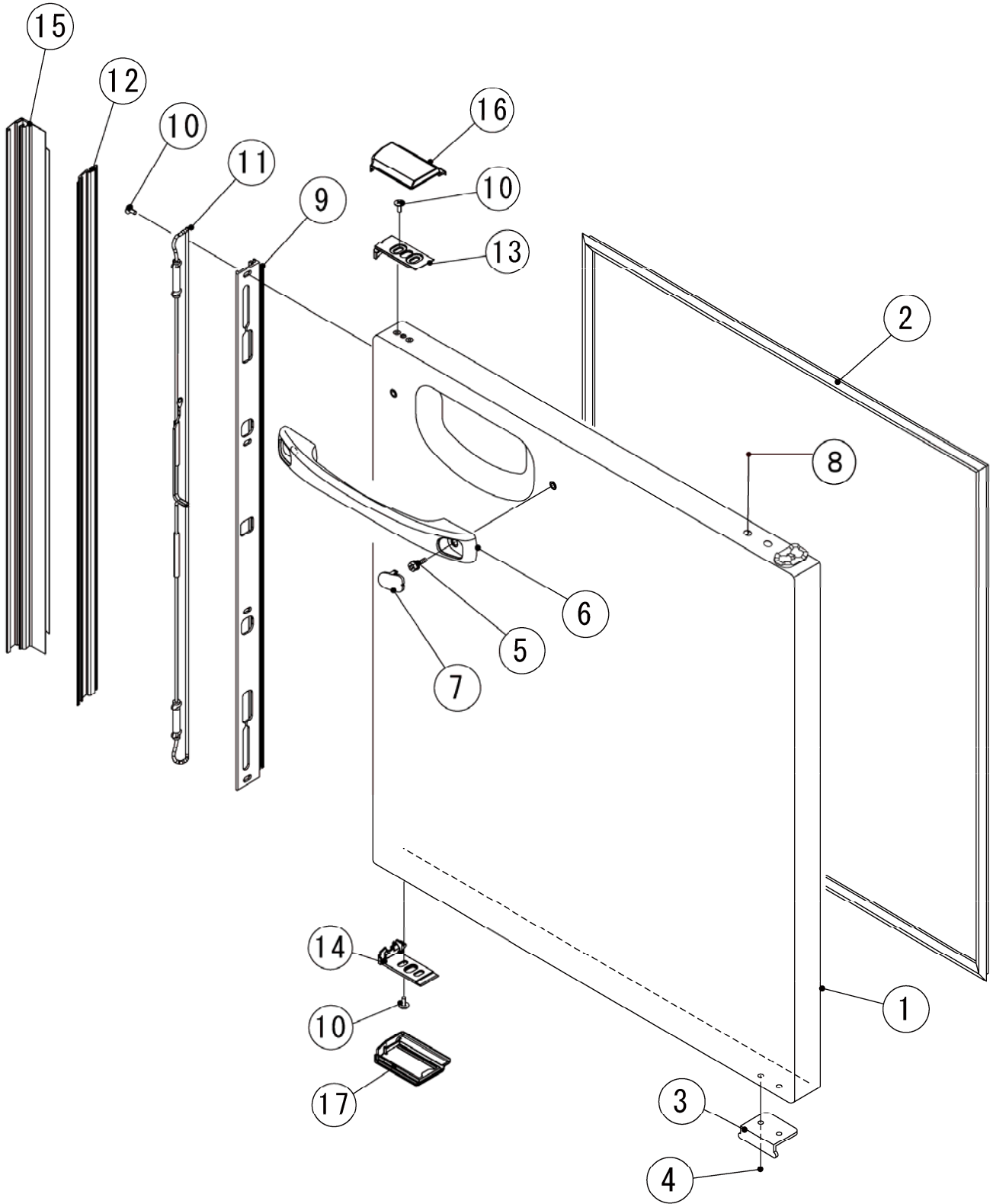
RTE, FTE-150SNA

RTE, FTE-180SNA

G. DOOR R, AY

(V-1) and later





HE

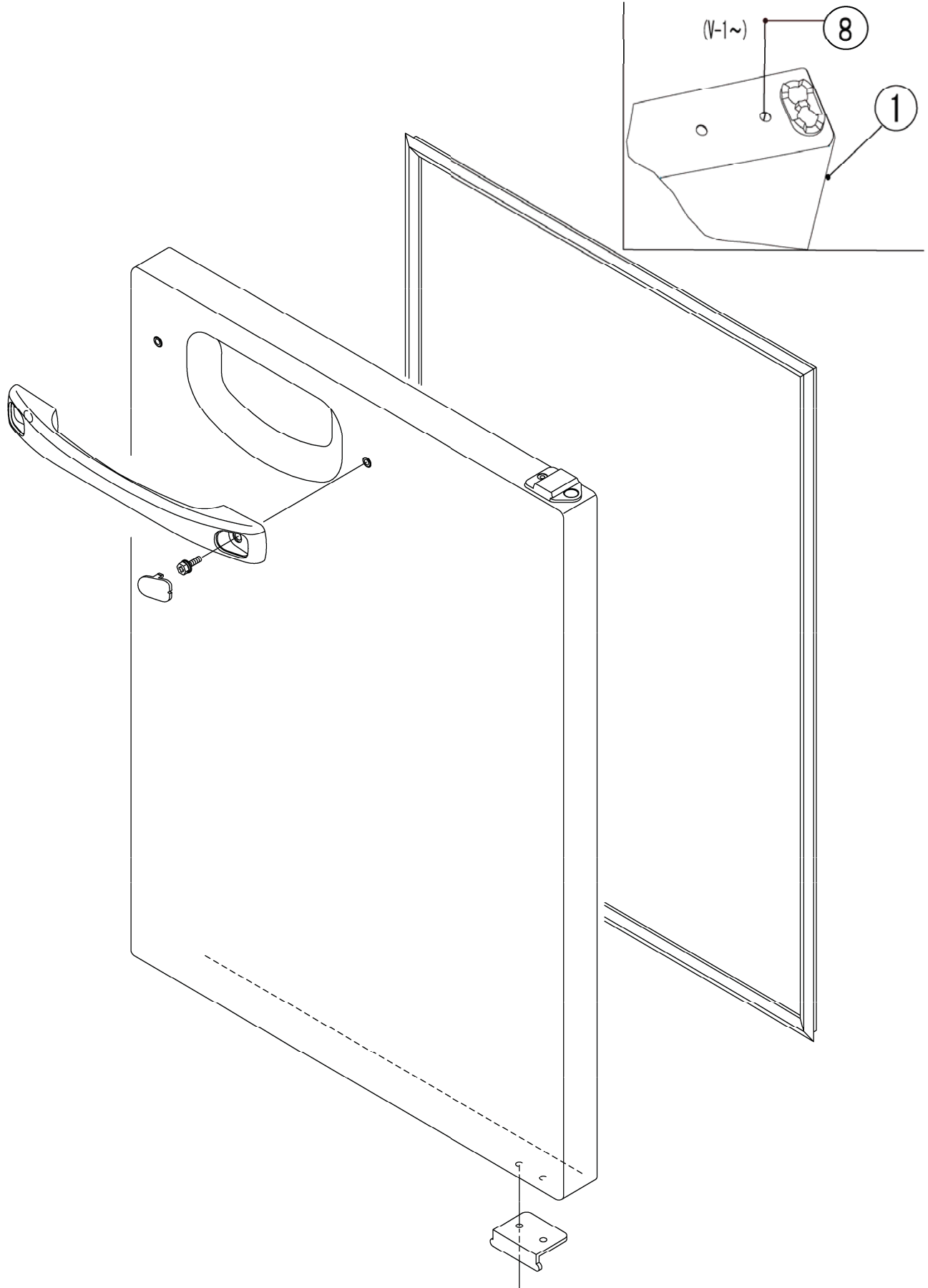
MODEL: RTE,FTE-120SDA-GN RTE,FTE-170SDA-GN RTE,FTE-120SNA RTE,FTE-150SNA RTE,FTE-180SNA		TITLE: G. DOOR R, ASSY (S-22940,S-24871,S-24873,S-21730) (S-21726,S-24872,S-21728) (S-27593,S-27599)					
INDEX NO.	DESCRIPTION	MATERIAL OR MODEL NUMBER	PART NUMBER	REQ'D NUMBER			
				V-1 A-0	A-1 B-0	B-1 C-0	C-1,D-0 E-0
1	DOOR R - INSULATION	RTE,FTE-120SDA-GN,170SDA-GN	2R4194G05	1	1	-	-
			2R6456G04	-	-	1	1
		RTE,FTE-120SNA	2R4194G04	1	1	-	-
			2R6456G04	-	-	1	1
		RTE,FTE-150SNA	2R4194G01	1	1	-	-
			2R6456G01	-	-	1	1
		RTE,FTE-180SNA	2R4194G02	1	1	-	-
			2R6456G02	-	-	1	1
T039-D009,T040-D009 T041-D009,T042-D009	2R9221G03	-	-	-	1		
2	DOOR GASKET	RTE,FTE-120SDA-GN,170SDA-GN	2R5297G01	1	1	1	1
			2R3725G05	1	1	-	-
		RTE,FTE-120SNA	2R5297G01	-	-	1	1
			2R3725G01	1	1	-	-
		RTE,FTE-150SNA	2R5297G04	-	-	1	1
			2R3725G03	1	1	-	-
RTE,FTE-180SNA	2R5297G03	-	-	1	1		
3	DOOR STOPPER A		4H7409-01	1	1	-	-
			454210-01	-	-	1	1
4	HEX HEAD BOLT		FBH0512S0	2	2	-	-
	FLAT HEAD TAPPING SCREW(S-TITE)		FTF0512M0	-	-	2	2
5	SCREW - BOLT		P02006-01	2	2	2	2
6	HANDLE		265707P01	1	1	1	1
7	CAP - HANDLE		379360P01	2	2	2	2
8	TRUSS HEAD SCREW		FST0508S0	-	-	2	2
9	BASE	T039-D009,T040-D009 T041-D009,T042-D009	3S5514P02	-	-	-	1
10	SCREW	T039-D009,T040-D009 T041-D009,T042-D009	4Y1319-05	-	-	-	8
11	CORD HEATER	T039-D009,T040-D009 T041-D009,T042-D009	P03964-03	-	-	-	1
12	COVER - CORD HEATER	T039-D009,T040-D009 T041-D009,T042-D009	4R7003P01	-	-	-	1
13	CAP - END A	T039-D009,T040-D009 T041-D009,T042-D009	3S5515P01	-	-	-	1

(S-21731)

RTE, FTE-180SNA

H. DOOR R, AY

(V-1) and later



(S-22836, 22837, 22838)

RTE, FTE-120SDA-GN

RTE, FTE-170SDA-GN

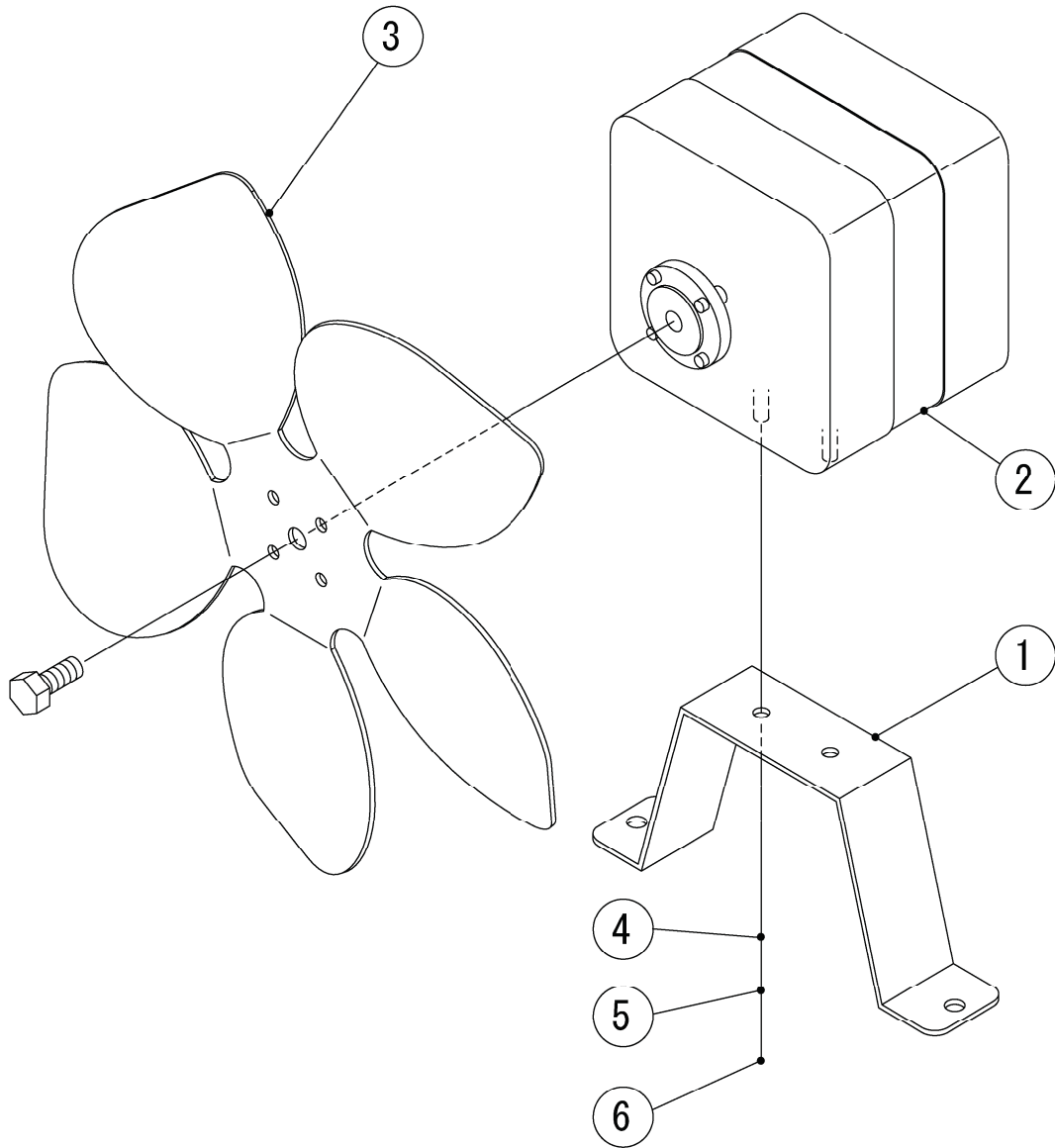
RTE, FTE-120SNA

RTE, FTE-150SNA

RTE, FTE-180SNA

J. FAN MOTOR AY

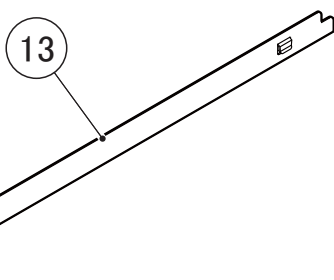
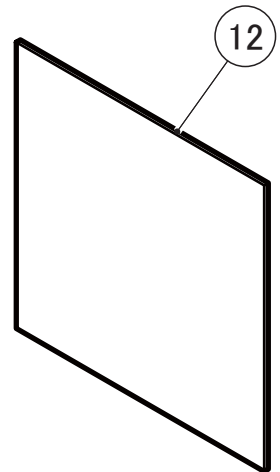
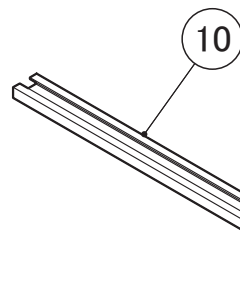
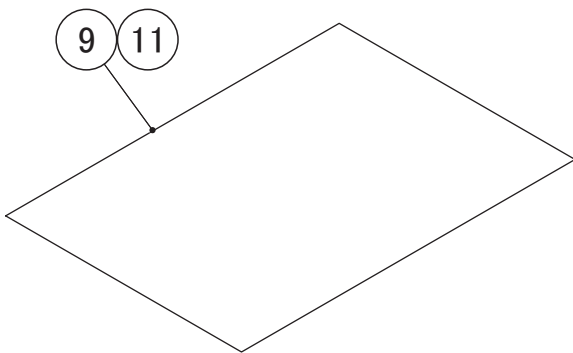
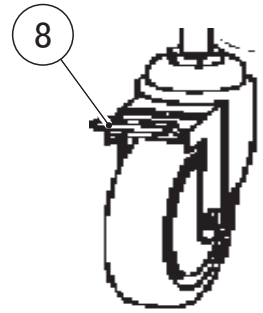
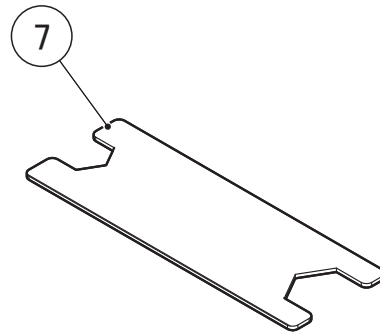
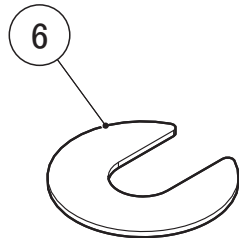
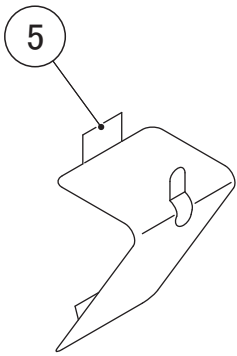
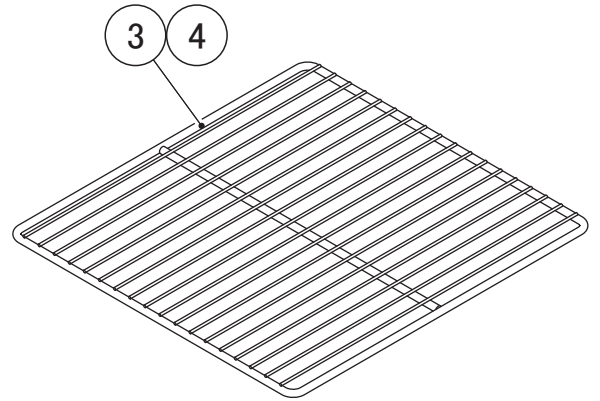
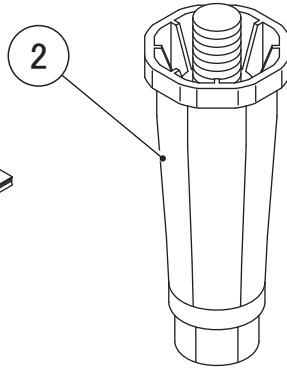
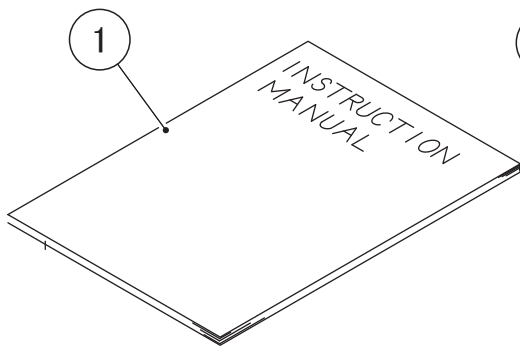
(V-1) and later



RTE, FTE-120SDA-GN
RTE, FTE-170SDA-GN
RTE, FTE-120SNA
RTE, FTE-150SNA
RTE, FTE-180SNA

K. ACCESSORIES

(V-1) and later V



HE

MODEL: RTE,FTE-120SDA-GN RTE,FTE-170SDA-GN RTE,FTE-120SNA RTE,FTE-150SNA RTE,FTE-180SNA				TITLE: K. ACCESSORIES			
INDEX NO.	DESCRIPTION	MATERIAL OR MODEL NUMBER	PART NUMBER	REQ'D NUMBER			
				V-1 A-0	A-1 B-0	B-1 C-0	C-1,D-0 E-0
1	INSTRUCTION MANUAL		L1T040204	1	1	1	1
2	LEG		446733-01	4	4	4	4
	CASTER	T039-D008,T040-D008 T041-D008,T042-D008 T043-D008,T044-D008 T045-D008,T046-D008 T047-D008,T048-D008 T039-D009,T040-D009 T041-D009,T042-D009	P00635-01	-	4	4	4
3	SHELF GN	RTE,FTE-120SDA-GN	3S0724G09	2	2	2	4
		RTE,FTE-170SDA-GN	3S0724G09	3	3	3	4
	SHELF A	RTE,FTE-120SNA	3S0724G01	2	2	2	2
	SHELF D	RTE,FTE-150SNA	3S0724G04	2	2	2	2
	SHELF B	RTE,FTE-180SNA	3S0724G02	2	2	2	2
	SHELF L	T039-D009, T041-D009	3S0724G12	-	-	-	1
	SHELF M	T040-D009, T042-D009	3S0724G13	-	-	-	1
4	SHELF C	RTE,FTE-180SNA	3S0724G03	1	1	1	1
	SHELF N	T040-D009, T042-D009	3S0724G14	-	-	-	1
5	SHELF HOLDER	RTE,FTE-120SDA-GN RTE,FTE-120SNA,150SNA	428957-01	8	8	8	8
		T039-D009, T041-D009	428957-01	-	-	-	12
		RTE,FTE-170SDA-GN RTE,FTE-180SNA	428957-01	12	12	12	12
		T040-D009, T042-D009	428957-01	-	-	-	20
6	FLAT WASHER	T039-D008,T040-D008 T041-D008,T042-D008	FWPL20F0	-	4	4	4
7	SPANNER	T043-D008,T044-D008	471513M01	-	1	1	1
8	SPACER - CASTER	T045-D008,T046-D008 T047-D008,T048-D008 T039-D009,T040-D009 T041-D009,T042-D009	471512M01	-	4	4	4
9	INSTRUCTION SHEET - CASTER	T039-D009,T040-D009 T041-D009,T042-D009	377682L01	-	-	-	1
10	SUPPORT SHELF	T039-D009,T041-D009	382287M10	-	-	-	2
		T040-D009,T042-D009	382287M11	-	-	-	2
11	INSTRUCTION SHEET-ML DOOR	T039-D009,T040-D009 T041-D009,T042-D009	268826L01	-	-	-	1
12	PROTECTOR - SIDE	T039-D009,T040-D009 T041-D009,T042-D009	481545K01	-	-	-	2
13	RAIL	T039-D009,T040-D009 T041-D009,T042-D009	3S2493M01	-	-	-	8