

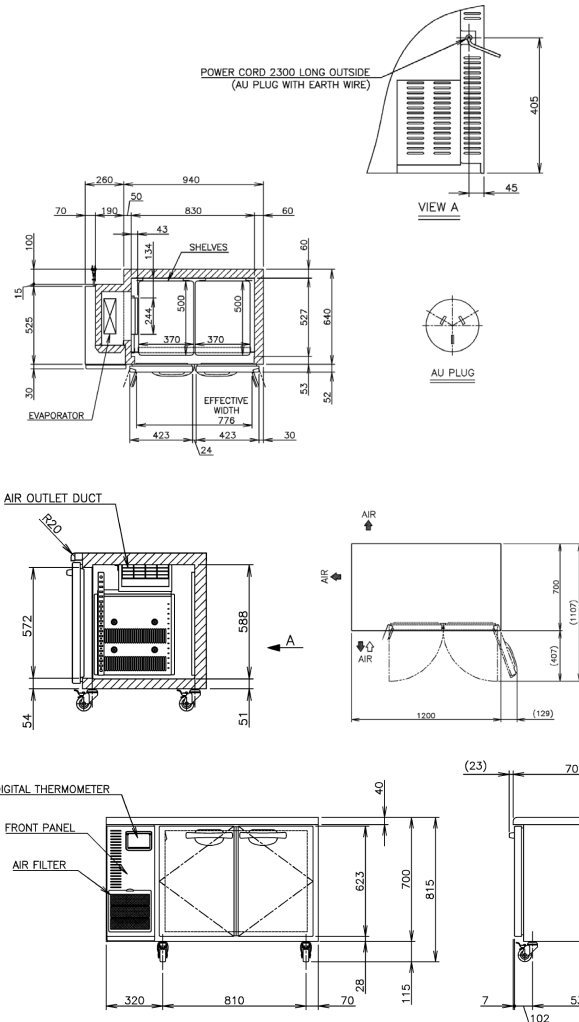


PRODUCT FEATURES

- This Pillar Less range is perfect for kitchens looking to maximise their food storage.
- Complete with stainless steel top.
- Standard with 4 shelves / 2 doors.
- Programmable electronic controller and display.
- 2 years parts and labour warranty.
- Comes standard with 4 x lockable (115 mm) castors (not legs).



TECHNICAL DRAWING



PRODUCT SPECIFICATION

Exterior	Stainless Steel, Galvanized Steel (Rear/Bottom)
Interior	Stainless Steel, ABS Plastic
Max Storage Capacity	265L
Temperature Control	Microprocessor controlled Adjustable from -6 to 12°C
Drain Evaporator Pan	Fin & Tube type
Outside Dimensions	1200mm (W) x 700mm (D) x 815mm (H)
Inside Dimensions	830mm (W) x 527mm (D) x 588mm (H)
Refrigeration System	Forced Air Circulation
Weight Net	83kg
AC Supply Voltage	1 PHASE 220-240V 50Hz /10amp Plug
Amperage	Rated: 1.4A
Refrigerant	R134a
Operating Conditions	Ambient Temp.: 5-43°C Voltage Range: Rated Voltage ±6%



For free 6 month extended warranty, register online within 4 weeks of purchase date.
hoshizaki.com.au



Descriptions and specifications are subject to change at any time, without notice. Illustrations for demonstration purposes. Copyright © 2023 Hoshizaki Lancer Pty Ltd. All right reserved.