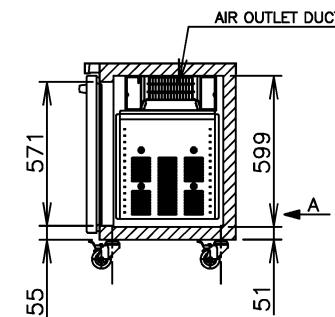
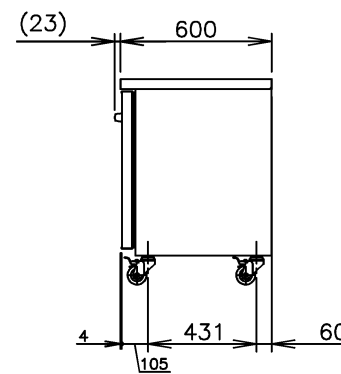
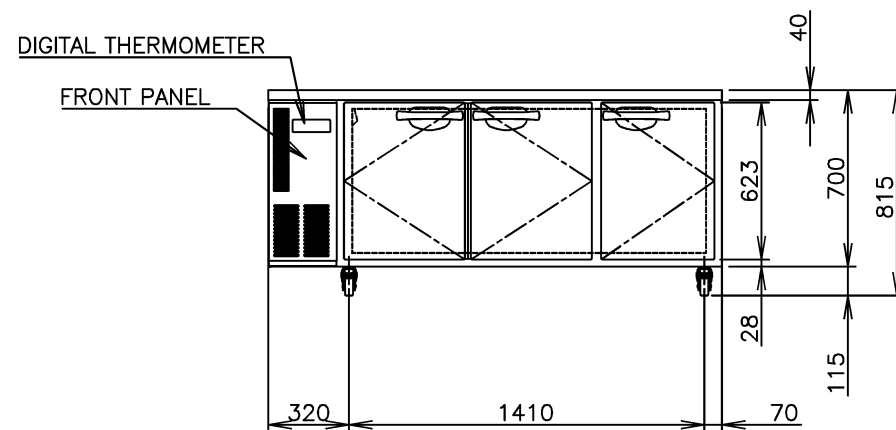
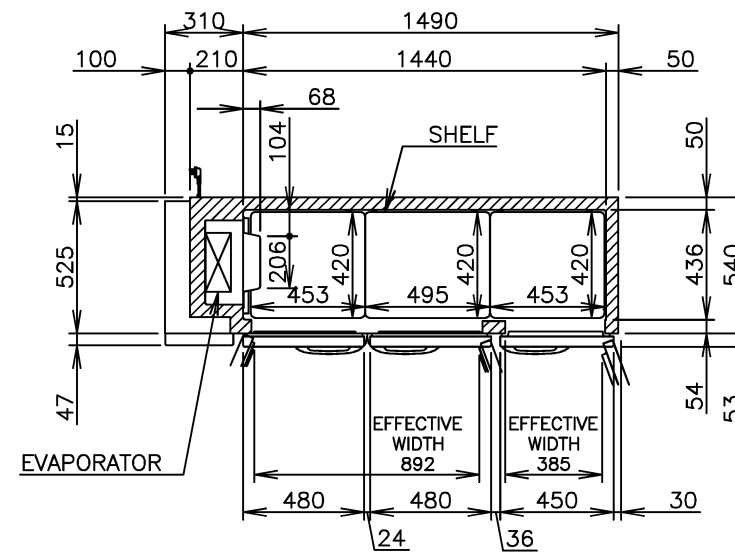
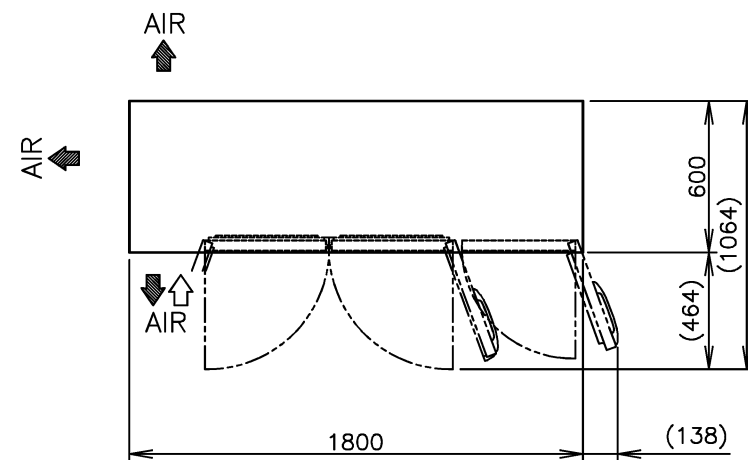


VIEW A(1/10)



ITEM	Hoshizaki Undercounter Refrigerator
MODEL	RT-186MA-A-ML
POWER SUPPLY	1 Phase 220-240V 50Hz Capacity: 0.67kVA (3.05A)
AMPERAGE	Rated 2.1A
ELECTRIC CONSUMPTION	280W Heater 201W Defrost 165W
HEAT REJECTION	*W
POWER CORD	2.0m (Plug with Earth Wire)
EFFECTIVE CAPACITY	401L
OUTSIDE DIMENSIONS	1800mm (W) x 600mm (D) x 815mm (H)
INSIDE DIMENSIONS	1440mm (W) x 436mm (D) x 599mm (H)
EXTERIOR	Stainless Steel, Galvanized Steel (Rear / Bottom) ABS Plastic (Top & Bottom on Door)
INTERIOR	Stainless Steel, ABS Plastic (Door)
INSULATION	Polyurethane Foam
INSULATION FOAM BLOWING AGENT	Cyclopentane
REFRIGERATION SYSTEM	Forced Air Circulation
DEFROST SYSTEM	Glass Tube Heater
COMPRESSOR	Hermetic
CONDENSER	Wire and Tube type, Air-cooled
EVAPORATOR	Fin and Tube Type
REFRIGERANT	R134a
TEMPERATURE CONTROL	Microprocessor controlled Adjustable from -6 to 12°C
DEFROST CONTROL	Microprocessor controlled
ELECTRIC CIRCUIT PROTECTION	Fuse, Earth Wire
COMPRESSOR PROTECTION	Motor Protector
CASTER	Urethane (76mm DIA, 115mm HIGH)
SHELF	6pcs.
WEIGHT	Net:93kg (Gross: Approx. 98kg)
PACKAGE	Carton 1865mm (W) x 680mm (D) x 790mm(H)
ACCESSORIES	-
OPERATING CONDITIONS	Ambient Temperature: 5-38°C Voltage Range: Rated Voltage±6%

*We reserve the right to make changes in specifications and design without prior notice.

1. Install the product properly in accordance with the instructions on location, electrical connections stated in the instruction manual provided. Allow 10mm extra space at the installation site to meet any installation requirements (additional spacing is also required for proper air flow, pipe connections).
2. The heat rejection is based on the reached pulldown temperature at ambient temperature of 38°C and power supply of 230V 50Hz. The amperage and electric consumption are based on measurements at ambient temperature of 38°C and power supply of 230V 50Hz.
3. The cabinet temperature range of -6 to 12°C is guaranteed at ambient temperature of 35°C.
4. Product code: T266-C410 (HLP)

HOSHIZAKI UNDERCOUNTER REFRIGERATOR RT-186MA-A-ML

APPROVED KUROYANAGI	CHECKED LIANG	DESIGNED LIANG	DRAWN WANGXIN	SCALE 1/30	TRIGONOMETRY
*	*	*	*	DATE 2022.06.30	DRAWING NO. D34048
APPROVED	DESIGNED	SYMBOL	DATE		SYMBOL