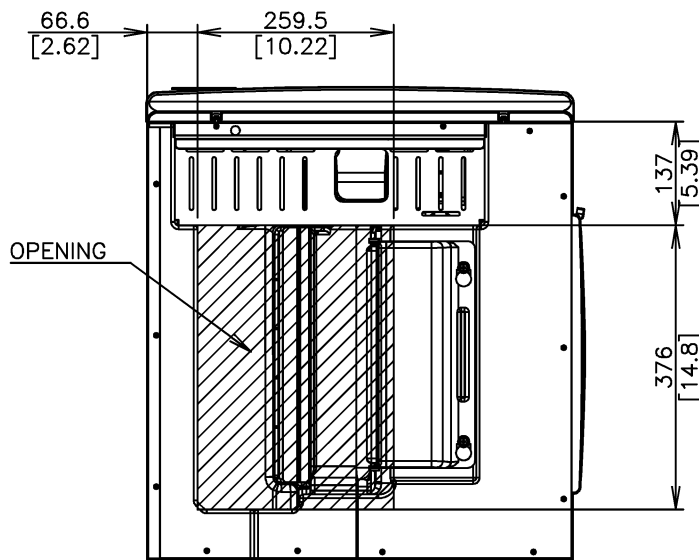
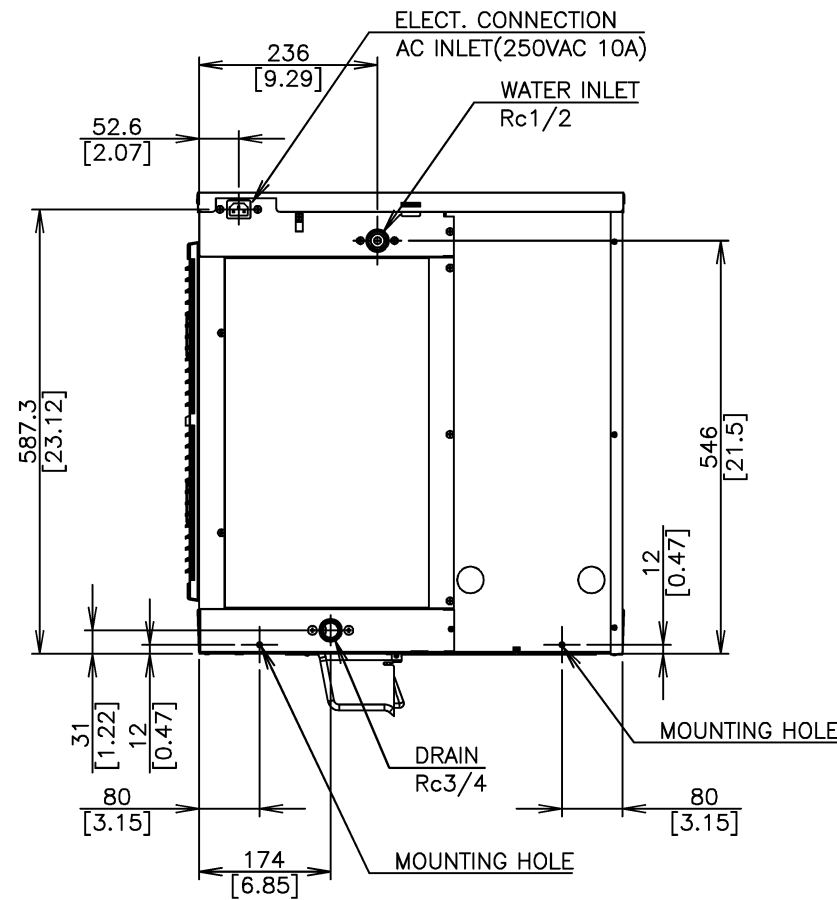
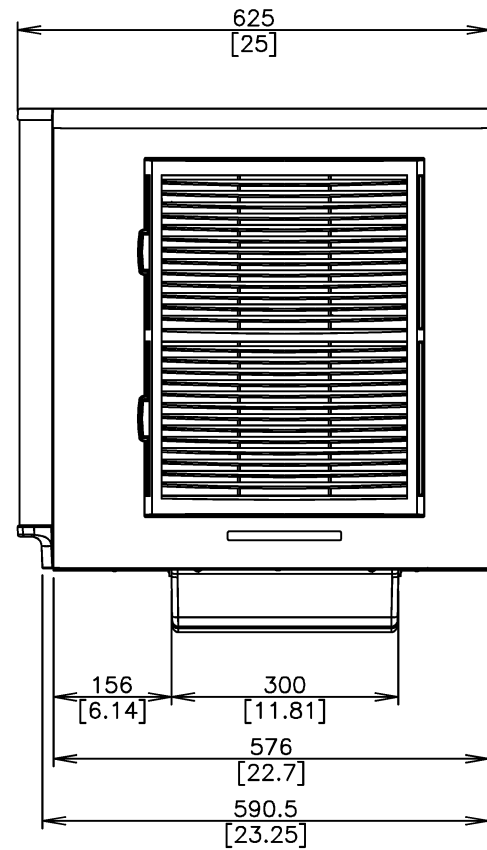
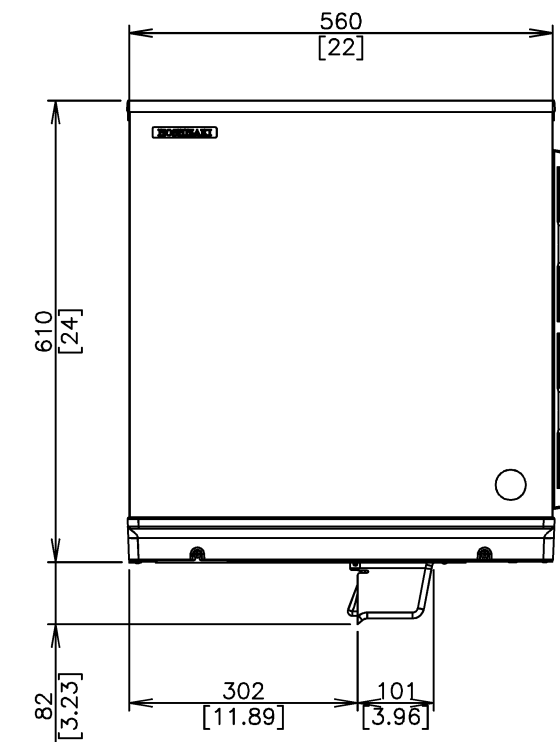


1. Install the product properly in accordance with the instructions on location, water supply/drain connections and electrical connections stated in the instruction and installation manuals provided.
2. The ice production depends on the ambient and water temperatures. Refer to the instruction manual.
3. Product Code: F132

| | |
|---------------------|--|
| WEIGHT | Net weight 57kg / Gross weight 73kg |
| PACKAGE | Carton 668mm (W) x 727mm (D) x 783mm (H) |
| ACCESSORIES | Instruction Manual, Universal Brace (2), Bolt (2) Check Valve (-C111), Nipple (-C111) Power Cord-SE type plug (-C141) BF type plug (-C121, 171), O type plug (-C101, 111) A (angled) type plug (-C181), A (parallel) type plug (-C161) |
| OPERATION CONDITION | Ambient Temp. : 7-40°C, Water Supply Temp. : 7-35°C Water Supply Pressure: 0.07-0.8MPa (0.7-8bar) Voltage Range: ±6% |

*We reserve the right to make changes in specifications and design without prior notice.



| | |
|---------------------------------|--|
| ITEM | Hoshizaki Crescent Ice Maker (Modular Type) |
| MODEL | KMD-201AB |
| AC SUPPLY VOLTAGE | 1 Phase 220-240/230V 50/60Hz |
| AMPERAGE | 3.0/3.6A (AT. 32°C, WT. 21°C) |
| STARTING AMPERAGE | 25/25A |
| ELECTRICAL CONSUMPTION | 663/806W (AT. 32°C, WT. 21°C) |
| POWER FACTOR | 97/96% |
| POWER SUPPLY CAPACITY | Min. 1.57kVA (6.8A) |
| ICE PRODUCTION PER 24h | Approx. 200/215kg/d (AT. 10°C, WT. 10°C) Approx. 175/190kg/d (AT. 21°C, WT. 15°C) Approx. 140/160kg/d (AT. 32°C, WT. 21°C) |
| WATER CONSUMPTION PER 24h | Approx. 0.82/0.86m³/d (AT. 10°C, WT. 10°C) Approx. 0.45/0.48m³/d (AT. 21°C, WT. 15°C) Approx. 0.27/0.31m³/d (AT. 32°C, WT. 21°C) |
| SHAPE OF ICE | Crescent Cube |
| FREEZE CYCLE TIME | Approx. 30.5/28.9Min (AT. 21°C, WT. 15°C) |
| ICE PRODUCTION PER CYCLE | Approx. 3.7/3.8kg / 416pcs (AT. 21°C, WT. 15°C) |
| OUTSIDE DIMENSIONS | 560mm (W) x 625mm (D) x 610mm (H) (not incl. Bin Sw) |
| EXTERIOR | Stainless Steel, Plastic Frame (Front), Galvanized Steel (Rear) |
| INSULATION | Polyurethane Foam |
| INSULATION FOAM BLOWING AGENT | Cyclopentane |
| CONNECTIONS-ELECTRIC | X-type Connection |
| CONNECTIONS-WATER SUPPLY | Inlet Rc1/2 (connected at rear side) |
| CONNECTIONS-DRAIN | Outlet Rc3/4 (connected at rear side) |
| ICE MAKING SYSTEM | Vertical Evaporator with water flow on both sides |
| HARVESTING SYSTEM | Water Supply Harvest Cycle and Hot Gas Defrost |
| COMPRESSOR | Hermetic (559W) |
| CONDENSER | Air-cooled, Fin and Tube type |
| HEAT REJECTION | 1410W (1220kcal/h) (AT. 32°C, WT. 21°C) |
| EVAPORATOR | Vertical type, Stainless Steel and Copper |
| REFRIGERANT CONTROL | Thermostatic Expansion Valve |
| REFRIGERANT CHARGE | R404A/520g |
| ICE MAKING CONTROL SYSTEM | Float Switch |
| HARVESTING CONTROL SYSTEM | Hot Gas and Water, Thermistor and Timer |
| ICE MAKING WATER CONTROL SYSTEM | Timer Controlled, Overflow Pipe |
| BIN CONTROL SYSTEM | Mechanical Bin Switch |
| ELECTRICAL PROTECTION | Class I Appliance, 5A Fuse |
| P.C. BOARD CIRCUIT PROTECTION | High Voltage Cut-out (Internal) |
| COMPRESSOR PROTECTION | Auto-reset Overload Protector (External) |
| REFRIGERANT CIRCUIT PROTECTION | Auto-reset High Pressure Control Switch |
| LOW WATER PROTECTION | Float Switch |

HOSHIZAKI CRESCENT ICE MAKER KMD-201AB (MODULAR TYPE)

| | | | | | |
|-----------------------|--------------------|--------------------|--------------------|-----------------------|--------------|
| APPROVED NISHIO | CHECKED YAMAOKA | DESIGNED KOSHI | DRAWN UEDA | SCALE 1/10 | TRIGONOMETRY |
| YAMAGUCHI APPROVED | ZHANG DESIGNED | 2019.07.13 DATE | 2019.05.17 DATE | D25002 DRAWING NO. | SYMBOL ▲ |