



HOSHIZAKI

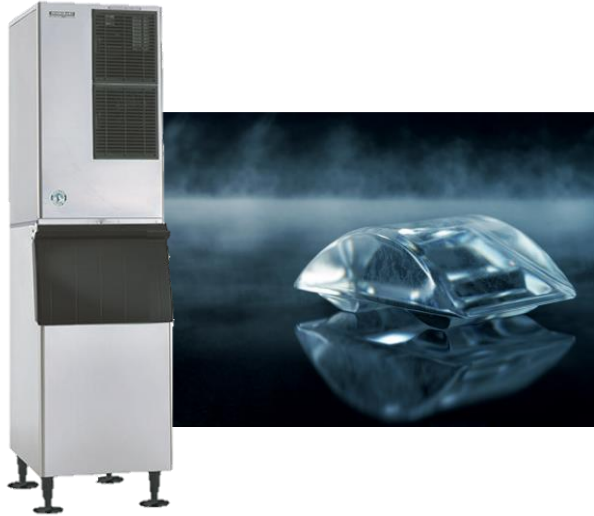
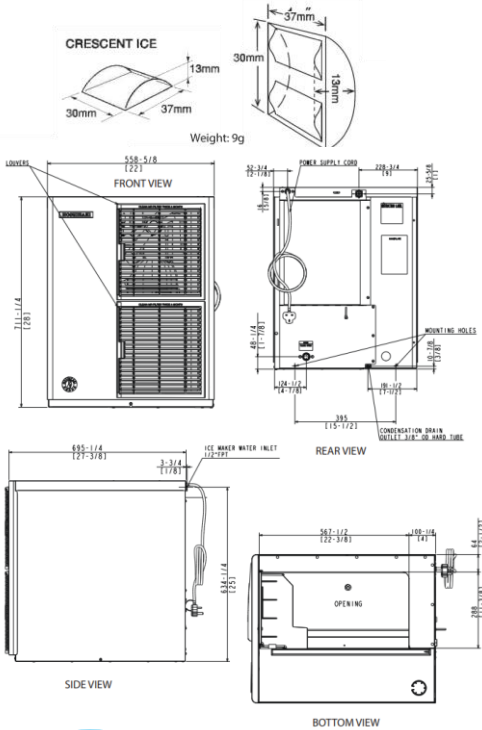
KM-660MAJ-E Crescent 280kg Ice Maker - Modular

Model Number
91000126

PRODUCT FEATURES

- Individual premium crescent cube.
- Stainless steel evaporator.
- Snap fit parts for easy cleaning.
- Air-Cooled, Crescent Cuber, Ice, Ice Maker, Modular
- CycleSaver Design.
- EverCheck alert system.
- Durable stainless-steel exterior.
- Removable air filters.
- Ice storage bin, top kit and water filter sold separately.

TECHNICAL DRAWING



PRODUCT SPECIFICATION

Production Capacity / 24hrs	Approx. 280kg @ 21°C Air temp; 15°C Water Approx. 262kg @ 32°C Air temp; 21°C Water
Recommended Storage Bins	B-301 SA B-501 SA B-801 SA B-1300 SS B-1500 SS
Freeze Cycle Time	Approx. 22-26 Min (At. 21°C Air ; 15°C Water)
Ice Production / cycle	Approx. 4.9kg/480pcs
Dimensions	560mm (W) x 695mm (D) x 711mm (H)
Cooling	Air
Weight Net/Gross (kg)	59/68
Refrigeration System	Forced Air Circulation
AC Supply Voltage	1 PHASE 220-240V 50Hz / 10amp Plug
Amperage	Running: 8.4A
Refrigerant Charge	R404A
Operating Conditions:	
Ambient Temp	7-38°C
Water Supply Temp	7-32°C
Water Supply Pressure	0.07-0.8MPa (0.7-8bar)
Voltage Range	198 - 254V

INSTALLATION REQUIREMENTS

- Qualified plumber required for installation.
- Included accessories & fittings pack can be found behind front panel.
- Allow 30cm clearance at rear, sides and top for proper air circulation and ease of maintenance.
- Install bin control switch according to installation manual.
- Hoshizaki recommends the use of a compatible water filter to prevent non-warrantable scale & sediment complications

*Refer to manual for full installation & maintenance requirements.



For free 6 month extended warranty, register online within 4 weeks of purchase date.
hoshizaki.com.au

