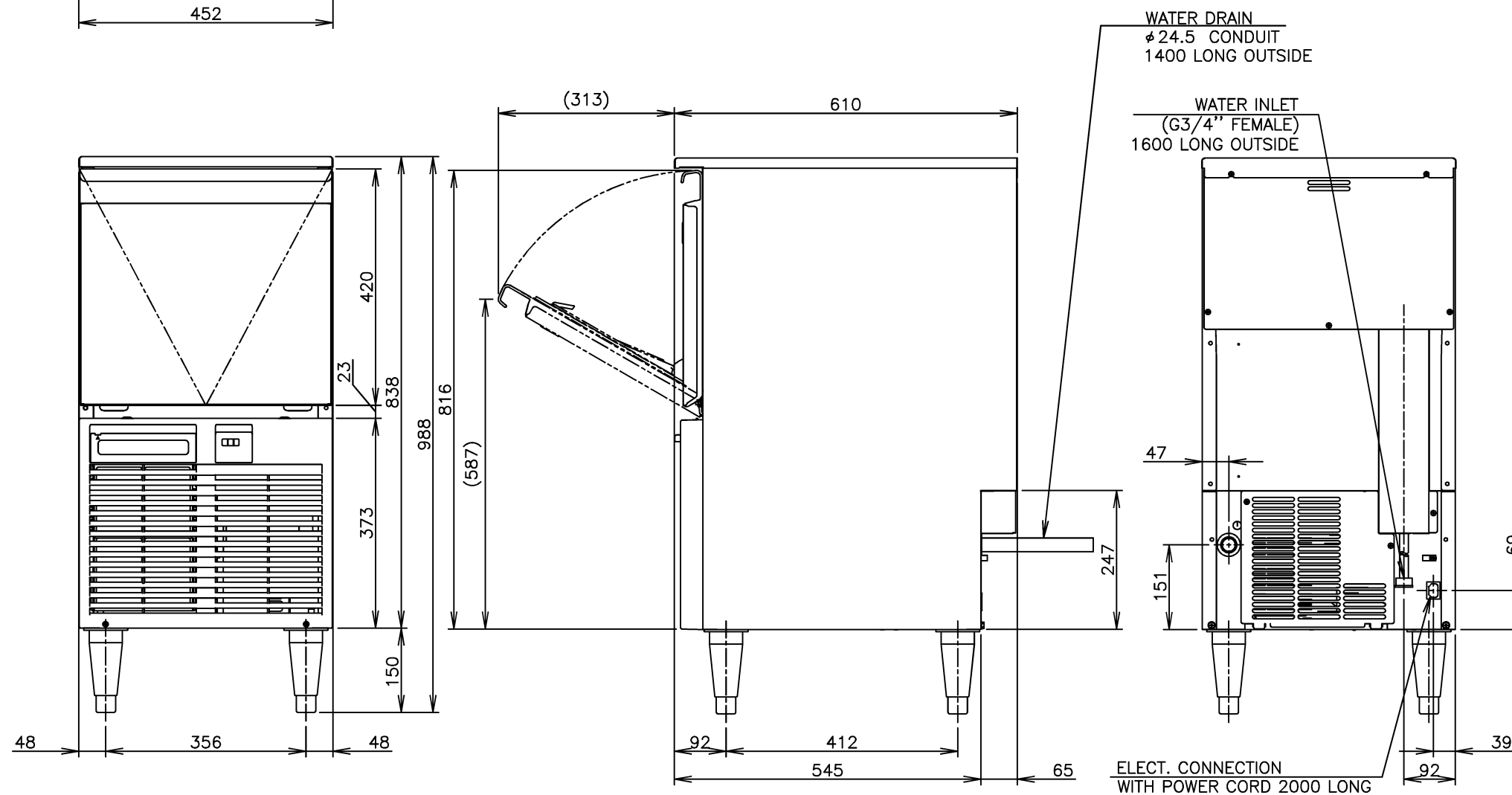


PACKAGE	Carton 555mm(W) x 715mm(D) x 996mm(H)	ITEM	Hoshizaki Crescent Ice Maker (Self -Contained Type)
ACCESSORIES	Instruction Manual, Scoop, Leg, Check Valve	MODEL	KM-40C-HC
OPTION	UV-LED, Fully Automated Cleaning kit	POWER SUPPLY	1 PHASE 220 - 240V 50Hz Capacity: Min. 0.50kVA (2.2A)
OPERATION CONDITION	Ambient Temp.: 7-38°C, Water Supply Temp.: 7-32°C Water Supply Pressure: 0.07-0.8MPa(0.7-8bar) Voltage Range: ±6%	AMPERAGE	1.4A(AT. 32°C, WT. 21°C) Starting: 7.7A

*We reserve the right to make changes in specifications and design without prior notice.

1. Install the product properly in accordance with the instructions on location, water supply/drain connections and electrical connections stated in the instruction and installation manuals provided.
2. The ice production depends on the ambient and water temperatures. Refer to the instruction manual.
3. Standard Model
Product Code: F158-C111
4. Fully Automated Cleaning Model
Model: KM-40C-HC-W
Product Code: F158-C211
WEIGHT : 41kg(Gross 51kg)

Hex bolt leg 842mm (H) optional



ELECTRIC CONSUMPTION	Rated Motor: 220W (Power factor: 69%)
ICE PRODUCTION PER 24h	Approx. 43kg/d(AT. 10°C, WT. 10°C) Approx. 41kg/d(AT. 21°C, WT. 15°C) Approx. 33kg/d(AT. 32°C, WT. 21°C)
WATER CONSUMPTION PER 24h	Approx. 0.25m³/d(AT. 10°C, WT. 10°C) Approx. 0.12m³/d(AT. 21°C, WT. 15°C) Approx. 0.08m³/d(AT. 32°C, WT. 21°C)
ELECTRIC CONSUMPTION PER 100kg ICE	13.8kWh/100kg(AT.32°C,WT.21°C)
WATER CONSUMPTION PER 100kg ICE	0.23m³ /100kg(AT.32°C,WT.21°C)
SHAPE OF ICE	Crescent Cube
FREEZE CYCLE TIME	Approx. 23Min(AT. 21°C, WT. 15°C)
ICE PRODUCTION PER CYCLE	Approx. 0.71kg / 80pcs(AT. 21°C, WT. 15°C)
MAX STORAGE CAPACITY	Approx. 16kg(Bin Cont Setting Approx. 14kg)
OUTSIDE DIMENSIONS	452mm(W) x 610mm(D) x 988 (982-1005)mm(H)
EXTERIOR	Stainless Steel, Galvanized Steel(Rear), Plastic(Louwer)
INSULATION	Polyurethane Foam
INSULATION FOAM BLOWING AGENT	Cyclopentane
CONNECTIONS-ELECTRIC	X-type Connection(with Plug)
CONNECTIONS-WATER SUPPLY	Inlet G3/4"(connected at rear side)
CONNECTIONS-DRAIN	Outlet φ 24.5(connected at rear side)
ICE MAKING SYSTEM	Vertical Evaporator with water flow on both sides
HARVESTING SYSTEM	Water Supply Harvest Cycle and Hot Gas Defrost
COMPRESSOR	Hermetic
CONDENSER	Air-cooled, Fin and Tube type
HEAT REJECTION	580W(499kcal/h) (AT.32°C, WT.21°C)
EVAPORATOR	Vertical type, Stainless Steel and Copper
REFRIGERANT CONTROL	Capillary Tube
REFRIGERANT CHARGE	R290/68g
ICE MAKING CONTROL SYSTEM	Float Switch
HARVESTING CONTROL SYSTEM	Hot Gas and Water, Thermistor and Timer
ICE MAKING WATER CONTROL SYSTEM	Timer Controlled, Overflow Pipe
BIN CONTROL SYSTEM	Mechanical Level Switch with Delay
ELECTRICAL PROTECTION	Class I Appliance, 5A Fuse
COMPRESSOR PROTECTION	Auto-reset Overload Protector(Internal)
LOW WATER PROTECTION	Float Switch
ICE MAKER PROTECTION	Interlock by Controller Board
WEIGHT	39kg(Gross 49kg)

HOSHIZAKI CRESCENT ICE MAKER(SELF-CONTAINED TYPE) KM-40C-HC(for HL)

APPROVED KONDO	CHECKED YAMAGUCHI	DESIGNED KOSHI	DRAWN OHASHI	SCALE 1/10	TRIGONOMETRY
KONDO	KOSHI	2022.10.20	DATE 2022.01.27	DRAWING NO. D32654	SYMBOL △
APPROVED	DESIGNED	DATE			