



PRODUCT FEATURES

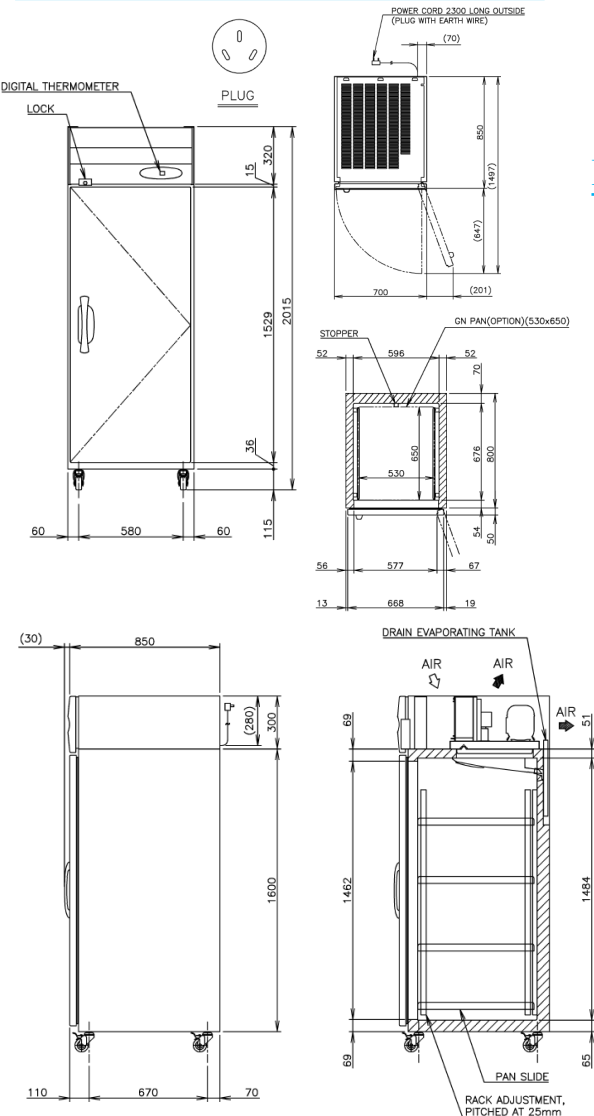
- Stainless steel interior and exterior.
- Lockable Full Length Door.
- Programmable Digital controller and display.
- 4 x 2/1 Gastronorm adjustable shelves with rails.
- 2 years parts and labour warranty.
- Comes standard with 4 x 115mm lockable castors (not legs).
- Optional Adjustable legs 150 – 180mm (Sold separately).

TECHNICAL DRAWING



PRODUCT SPECIFICATION

Exterior	Stainless Steel, Galvanized Steel (Rear /Bottom)
Interior	Stainless Steel, ABS Plastic
Max Storage Capacity	630L
Temperature Control	Microprocessor controlled Adjustable from -6°C to 12°C
Drain Evaporator Pan	Fin & Tube type
Outside Dimensions	700mm (W) x 850mm (D) x 2015mm (H)
Inside Dimensions	596mm (W) x 676mm (D) x 1484mm (H)
Refrigeration System	Forced Air Circulation
Weight Net	124kg
AC Supply Voltage	1 PHASE 220-240V 50Hz /10amp Plug
Amperage	Rated: 2.08A Starting: 8.2A
Refrigerant	R134a/160g
Operating Conditions	Ambient Temp.: 5-43°C Voltage Range: Rated Voltage ±6%



For free 6 month extended warranty, register online within 4 weeks of purchase date.
hoshizaki.com.au

