



---

COMMERCIAL REFRIGERATOR

HRE-70B-AHD-GN  
HRE-70B-ALD-GN

# PARTS LIST

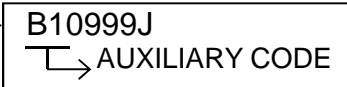
[HL]

R273-C703, -C713

F-1 MAR. 2016

| Product Code          | Spec                         |  |  |
|-----------------------|------------------------------|--|--|
| <b>HRE-70B-AHD-GN</b> |                              |  |  |
| <b>R273-C703</b>      | D850,GN,DRAIN TANK           |  |  |
| <b>HRE-70B-ALD-GN</b> |                              |  |  |
| <b>R273-C713</b>      | D850,GN,DRAIN TANK,LONG DOOR |  |  |

| 星崎商用冷冻柜               |               |
|-----------------------|---------------|
| 产品型号                  | HF-187MA-CI D |
| 气候类型                  | G             |
| 防溅保护类别                | 1类            |
| 总有效容积                 | 1/10L         |
| 冷冻室有效容积               | 1/10L         |
| 额定电压                  | ~ 220V        |
| 额定频率                  | 50Hz          |
| 输入总功率                 | 837W          |
| 总加热装置                 | 5.7W          |
| 耗电量                   | 13.36kWh/24h  |
| 制冷能力                  | 35kg          |
| 制冷剂名称及充入量             | R404A/240g    |
| 净重                    | 2.3kg         |
| 星崎电机(苏州)有限公司<br>中国·苏州 |               |

B10999J  

 AUXILIARY CODE

## AUXILIARY CODE

U - 1

The auxiliary code is the first two characters in the serial number. The first character indicates the production year. Years progress or regress in alphabetical order. The series of letters and skipped letters depend on UL listing, production, and model. See the auxiliary code(s) and corresponding year(s) on the front cover.

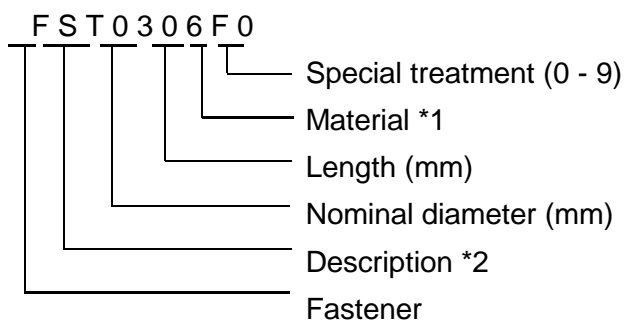
The second character indicates significant part changes within the same year. Base is "1" and this number advances for each change. If there is no significant part change at the turn of the year, this number starts from "0."

## MARKS LOCATED UNDER THE AUXILIARY CODE

- = Part deleted.

## FASTENER PART NUMBER

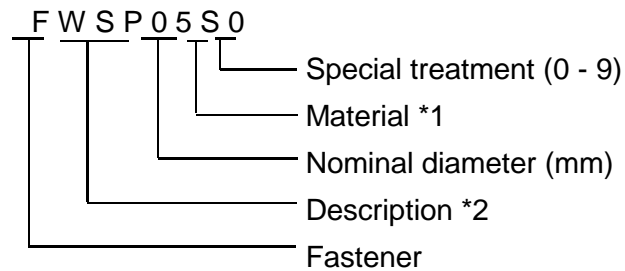
### SCREWS



\*<sub>1</sub>

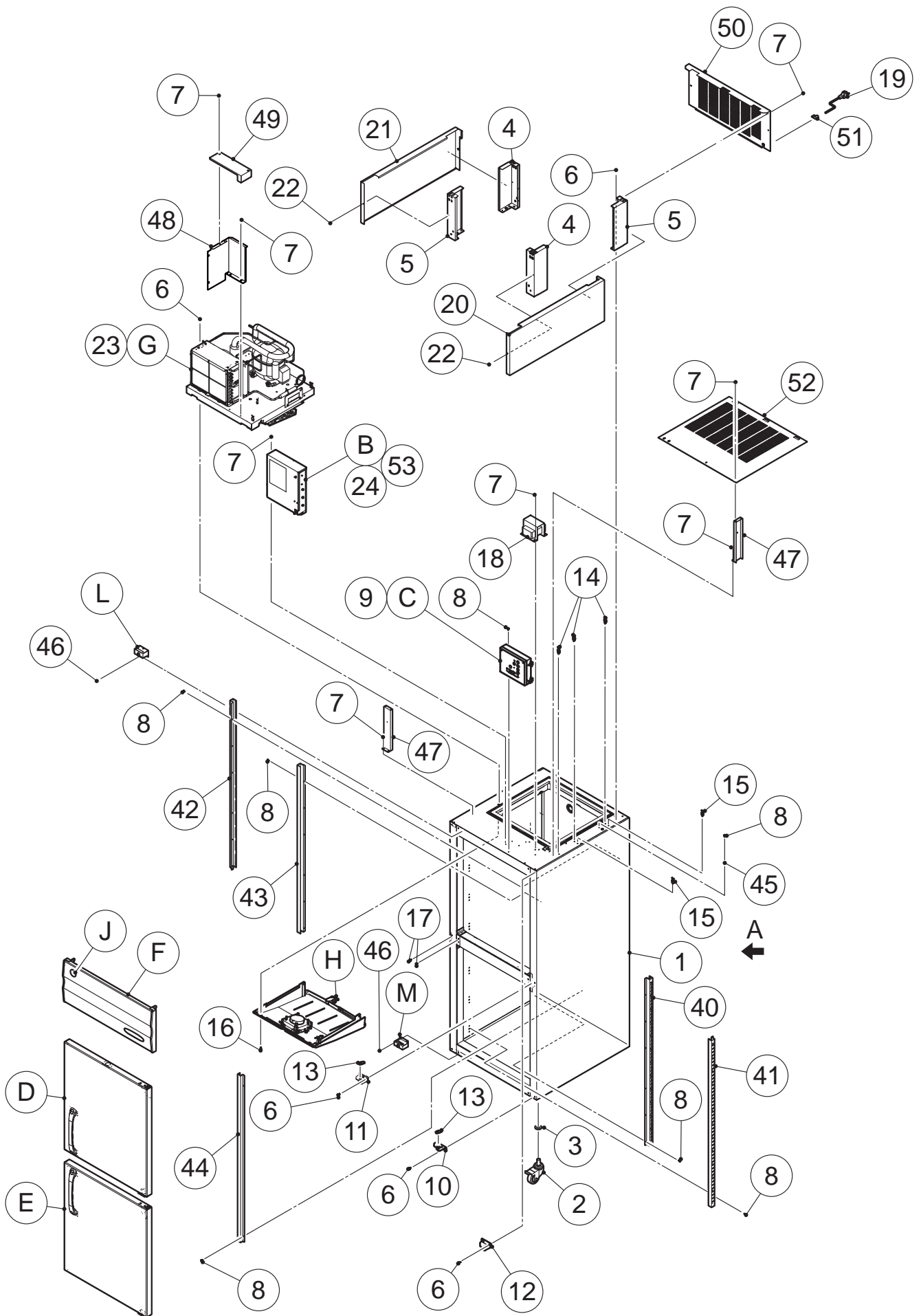
F: Steel  
S: Austenitic stainless steel  
M: Martensitic stainless steel  
B: Copper alloy  
P: Polycarbonate  
N: Polyamide  
V: PVC  
A: ABS  
X: Polyacetal  
L: Aluminum

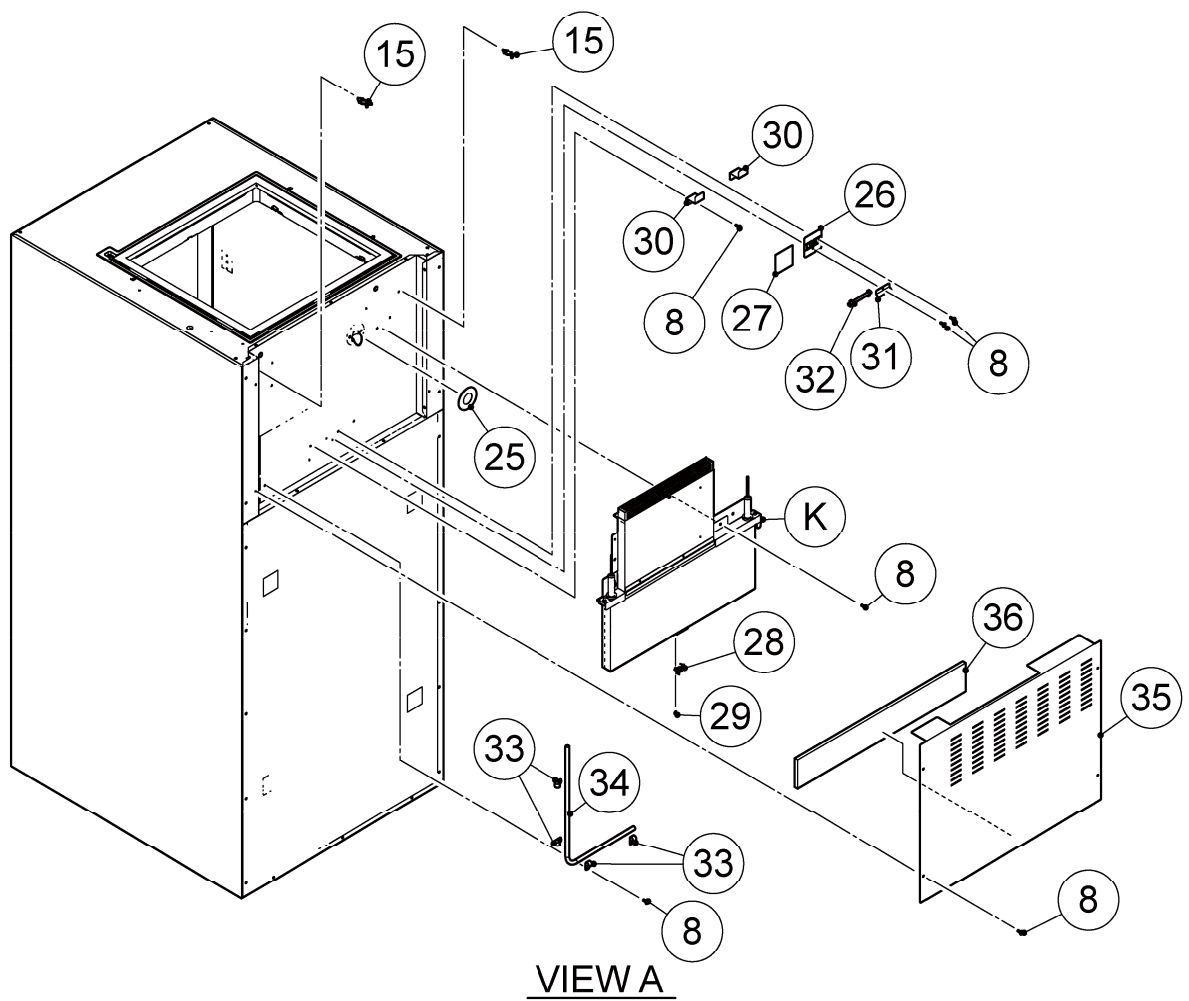
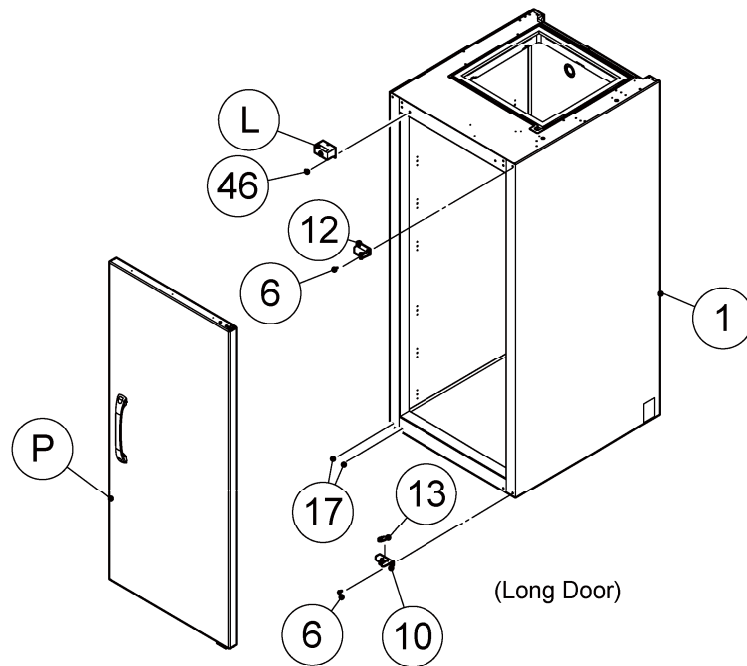
### NUTS & WASHERS



\*<sub>2</sub>

First letter  
S: Machine screw  
T: Tapping screw  
M: Wood screw  
B: Bolt  
W: Washer  
N: Nut





HL

| MODEL: HRE-70B-AHD-GN<br>HRE-70B-ALD-GN |                                   | TITLE: A. REFRIGERATOR ASSY           |             |              |  |  |  |
|---|-----------------------------------|---------------------------------------|-------------|--------------|--|--|--|
| INDEX NO.                               | DESCRIPTION                       | MATERIAL OR MODEL NUMBER              | PART NUMBER | REQ'D NUMBER |  |  |  |
|   |                                   |                                       |             | F-1          |  |  |  |
| B                                       | RELAY BOX ASSY                    | S-21388                               | 252494A03   | 1            |  |  |  |
| C                                       | CONTROL BOX ASSY                  | S-20029                               | 369381A02   | 1            |  |  |  |
| P                                       | DOOR (R) ASSY                     | (S-26841)Long Door<br>R273-C713       | 266830A01   | 1            |  |  |  |
| D                                       | DOOR(R)-UP,ASSY                   | (S-26819)Half Door<br>R273-C703       | 266748A01   | 1            |  |  |  |
| E                                       | DOOR(R)-LO,ASSY                   | (S-26820)Half Door<br>R273-C703       | 266751A01   | 1            |  |  |  |
| F                                       | FRONT PANEL ASSY                  | S-26821                               | 266754A01   | 1            |  |  |  |
| G                                       | REFRIGERATION ASSY                | S-28147                               | 124423A01   | 1            |  |  |  |
| H                                       | AIR DUCT ASSY                     | S-20033                               | 252513A01   | 1            |  |  |  |
| J                                       | LABEL LOCATION                    | S-26605                               | 266109A01   | 1            |  |  |  |
| K                                       | DRAIN TANK ASSY                   | S-20034                               | 252497A01   | 1            |  |  |  |
| L                                       | LOCK AY                           |                                       | 480338A01   | 1            |  |  |  |
| M                                       | LOCK AY                           | Half Door<br>R273-C703                | 480397A01   | 1            |  |  |  |
| N                                       | ACCESSORIES                       | HRE/HFE-70B (HL向/強制蒸発/GN)             | A03284-01   | 1            |  |  |  |
|   |                                   |                                       |             |              |  |  |  |
| 1                                       | BODY                              | Half Door, Cylinder Lock<br>R273-C703 | 123317001   | 1            |  |  |  |
|   |                                   | Long Door, Cylinder Lock<br>R273-C713 | 123317002   | 1            |  |  |  |
| 2                                       | CASTER                            |                                       | P00635-01   | 4            |  |  |  |
| 3                                       | FLAT WASHER                       |                                       | FWPL20F0    | 4            |  |  |  |
| 4                                       | GRIP(A)                           |                                       | 260268M01   | 2            |  |  |  |
| 5                                       | GRIP(B)                           |                                       | 260269M01   | 2            |  |  |  |
| 6                                       | FLANGE BOLT (S-TITE)              | +字STH-W5x12                           | P02005-01   | 22           |  |  |  |
| 7                                       | FLANGE BOLT (S-TITE)              |                                       | 445994-05   | 27           |  |  |  |
| 8                                       | TRUSS HEAD SCREW                  |                                       | FST0412S0   | 46           |  |  |  |
| 9                                       | HARNESS - POWER HRE(C)            |                                       | 372136G01   | 1            |  |  |  |
| 10                                      | DOOR HINGE (R) , LO               |                                       | 375316G01   | 1            |  |  |  |
| 11                                      | DOOR HINGE (R) , CT               | Half Door, Cylinder Lock<br>R273-C703 | 375317G01   | 1            |  |  |  |
| 12                                      | DOOR HINGE (R) , UP               |                                       | 375315G01   | 1            |  |  |  |
| 13                                      | HINGE COLLAR - HINGE              |                                       | 339948-01   | 2            |  |  |  |
| 14                                      | WIRE RETAINER                     | No.4253                               | 427902-05   | 5            |  |  |  |
| 15                                      | WIRE RETAINER                     | No.249                                | 427902-03   | 4            |  |  |  |
| 16                                      | TRUSS HEAD TAPPING SCREW (S-TITE) |                                       | FTS0412M0   | 2            |  |  |  |
| 17                                      | HOLE PLUG                         |                                       | 463980-01   | 8            |  |  |  |
| 18                                      | TRANSFORMER - G                   |                                       | 482138G01   | 1            |  |  |  |

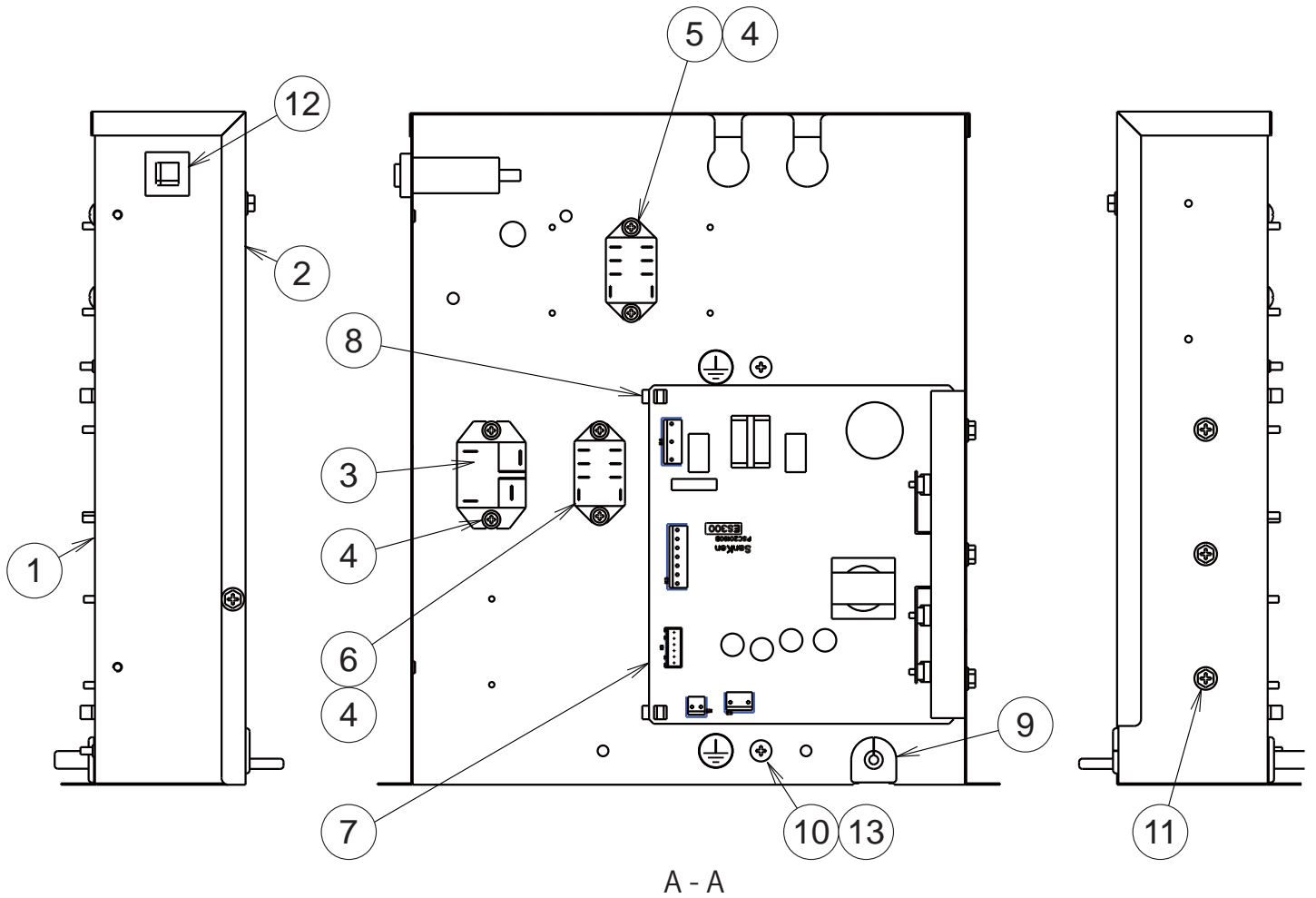
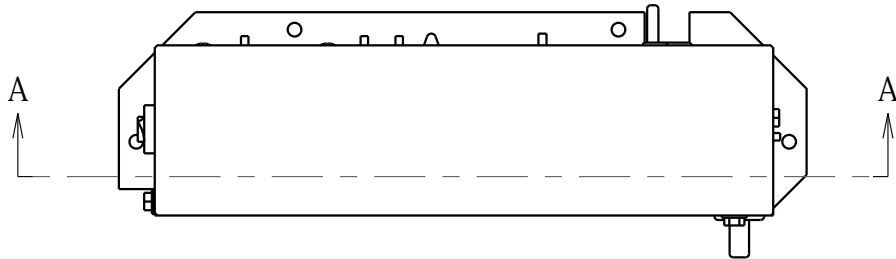
HL

| MODEL: HRE-70B-AHD-GN<br>HRE-70B-ALD-GN |                          | TITLE: A. REFRIGERATOR ASSY           |             |              |  |  |  |
|---|--------------------------|---------------------------------------|-------------|--------------|--|--|--|
| INDEX NO.                               | DESCRIPTION              | MATERIAL OR MODEL NUMBER              | PART NUMBER | REQ'D NUMBER |  |  |  |
|   |                          |                                       |             | F-1          |  |  |  |
| 19                                      | POWER SUPPLY CORD - HLP  |                                       | 476208G01   | 1            |  |  |  |
| 20                                      | SIDE PANEL (R)           |                                       | 383324M01   | 1            |  |  |  |
| 21                                      | SIDE PANEL (L)           |                                       | 383325M01   | 1            |  |  |  |
| 22                                      | S-TITE TRUSS HEAD SCREW  |                                       | FTS0406M0   | 2            |  |  |  |
| 23                                      | VINYL TUBE - UL          | Half Door, Cylinder Lock<br>R273-C703 | 123316Z01   | 1            |  |  |  |
|   |                          | Long Door, Cylinder Lock<br>R273-C713 | 123329Z01   | 1            |  |  |  |
| 24                                      | BAG                      |                                       | 4X1559-01   | 2            |  |  |  |
| 25                                      | INSULATION - DRAIN PIPE  |                                       | 472240P01   | 1            |  |  |  |
| 26                                      | CONDUCTOR                |                                       | 471324M01   | 1            |  |  |  |
| 27                                      | INSULATION - CONDUCTOR   |                                       | 472069P01   | 1            |  |  |  |
| 28                                      | THERMOSTAT               | 110°Coff 90°Con                       | P00598-01   | 1            |  |  |  |
| 29                                      | PAN HEAD SCREW SW        |                                       | FSK0306S0   | 2            |  |  |  |
| 30                                      | BRACKET - DRAIN TANK     |                                       | 472003M01   | 2            |  |  |  |
| 31                                      | FUSE HOLDER              |                                       | 471335M01   | 1            |  |  |  |
| 32                                      | FUSE                     | 94°C                                  | P01103-01   | 1            |  |  |  |
| 33                                      | CLAMP                    |                                       | 418814-06   | 4            |  |  |  |
| 34                                      | VINYL TUBE - UL          | Half Door, Cylinder Lock<br>R273-C703 | 123316Z02   | 1            |  |  |  |
|   |                          | Long Door, Cylinder Lock<br>R273-C713 | 123329Z02   | 1            |  |  |  |
| 35                                      | COVER - DRAIN TANK       |                                       | 261303M01   | 1            |  |  |  |
| 36                                      | INSULATION - TANK COVER  |                                       | 476715P01   | 1            |  |  |  |
| 40                                      | STAY - R, LEFT           |                                       | 371770M01   | 1            |  |  |  |
| 41                                      | STAY - F, LEFT           |                                       | 371769M01   | 1            |  |  |  |
| 42                                      | STAY - R, RIGHT          |                                       | 371762M01   | 1            |  |  |  |
| 43                                      | STAY - F, RIGHT          |                                       | 371761M01   | 1            |  |  |  |
| 44                                      | BACK GARD                |                                       | 376884M01   | 1            |  |  |  |
| 45                                      | SPRING WASHER            |                                       | FWSP04S0    | 1            |  |  |  |
| 46                                      | TRUSS HEAD MACHINE SCREW |                                       | FST0508S0   | 4            |  |  |  |
| 47                                      | BRACKET - SHROUD         |                                       | 481806M01   | 2            |  |  |  |
| 48                                      | SHROUD (R)               |                                       | 383309M01   | 1            |  |  |  |
| 49                                      | TOP COVER (R)            |                                       | 383307M01   | 1            |  |  |  |
| 50                                      | REAR COVER               |                                       | 269177M01   | 1            |  |  |  |
| 51                                      | BUSHING                  |                                       | 428394-03   | 1            |  |  |  |
| 52                                      | TOP COVER                |                                       | 269176M01   | 1            |  |  |  |

HL

| MODEL: <b>HRE-70B-AHD-GN</b><br><b>HRE-70B-ALD-GN</b> |              | TITLE: <b>A. REFRIGERATOR ASSY</b> |             |              |  |  |  |
|---|--------------|------------------------------------|-------------|--------------|--|--|--|
| INDEX NO.   | DESCRIPTION  | MATERIAL OR MODEL NUMBER           | PART NUMBER | REQ'D NUMBER |  |  |  |
|   |              |                                    |             | F-1          |  |  |  |
| 53  | WIRING LABEL |                                    | 383331L01   | 1            |  |  |  |
|   |              |                                    |             |              |  |  |  |





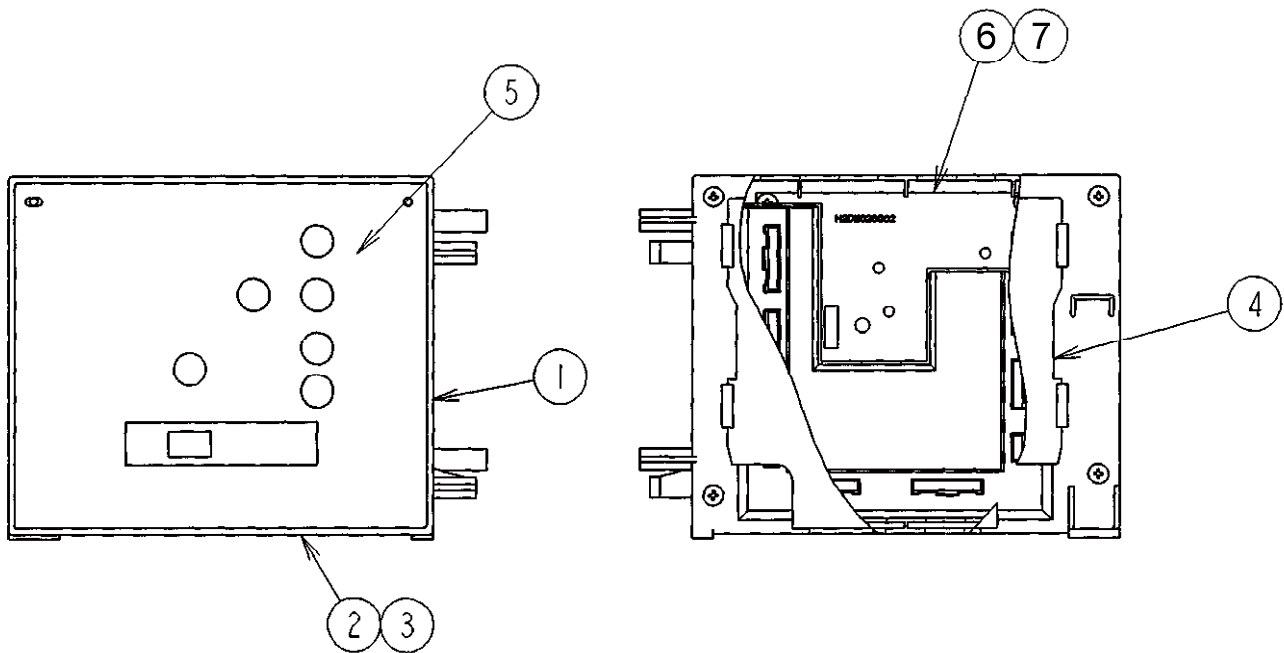


(S-20029)

HRE-70B-AHD-GN  
HRE-70B-ALD-GN

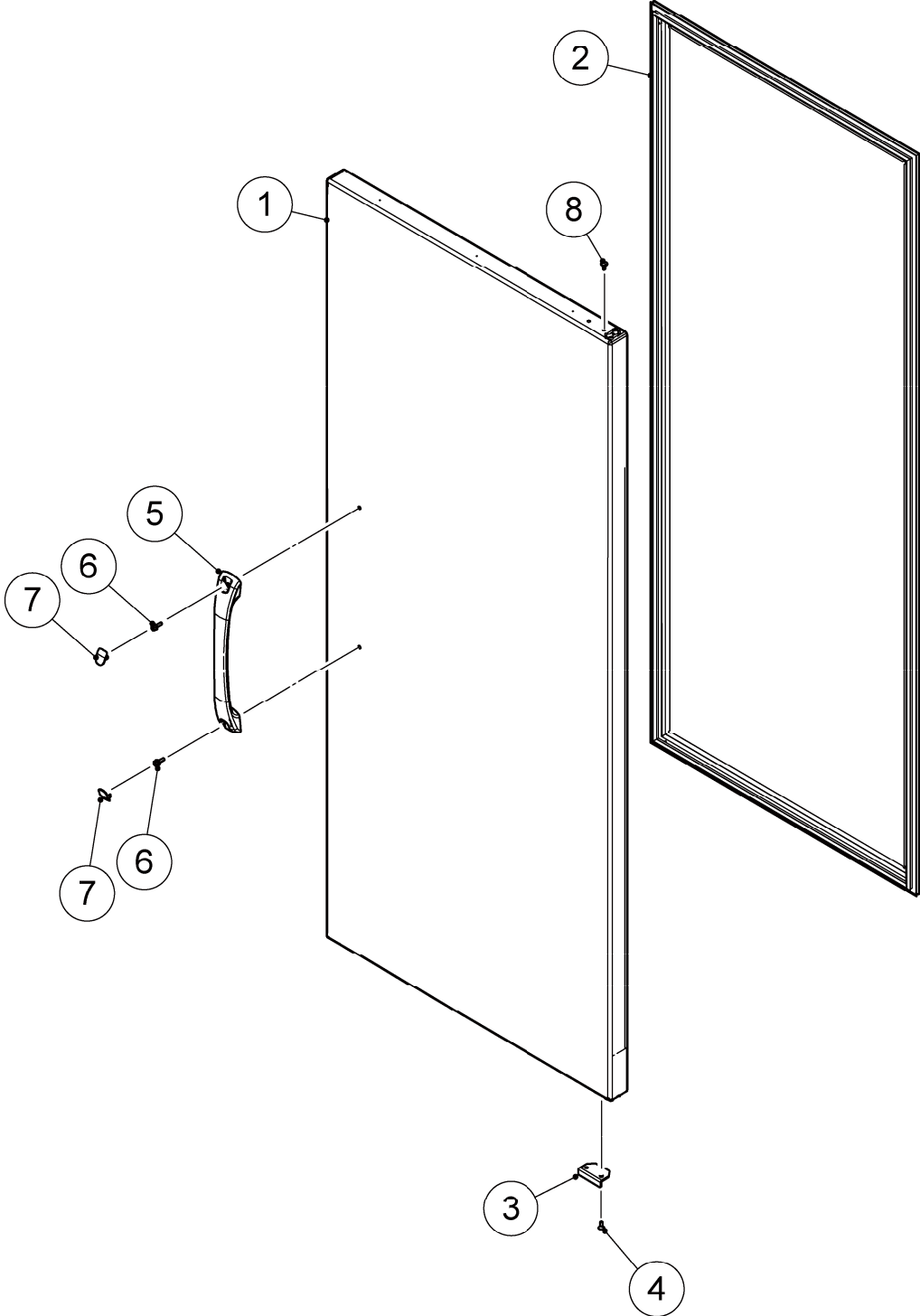
C. CONTROL BOX ASSY

(F-1) and later



HL

| MODEL: <b>HRE-70B-AHD-GN</b><br><b>HRE-70B-ALD-GN</b> TITLE: <b>C. CONTROL BOX ASSY(S-20029)</b> |                             |                          |             |              |  |  |  |
|--|-----------------------------|--------------------------|-------------|--------------|--|--|--|
| INDEX NO.  | DESCRIPTION                 | MATERIAL OR MODEL NUMBER | PART NUMBER | REQ'D NUMBER |  |  |  |
|  |                             |                          |             | F-1          |  |  |  |
| 1  | BODY - CONTROL BOX,RR       |                          | 118032P01   | 1            |  |  |  |
| 2  | BODY - CONTROL BOX,FR       |                          | 246875-01   | 1            |  |  |  |
| 3  | TRUSS HEAD TAPPING SCREW T2 |                          | FT20412M0   | 4            |  |  |  |
| 4  | COVER - CONTROL BOX         |                          | 364772-01   | 1            |  |  |  |
| 5  | OPERATION LABEL             |                          | 252749L01   | 1            |  |  |  |
| 6  | CONTROLER BOARD             |                          | 469088-01   | 1            |  |  |  |
| 7  | T2 TRUSS HEAD SCREW P       |                          | FT70408M0   | 2            |  |  |  |
|  |                             |                          |             |              |  |  |  |



HL

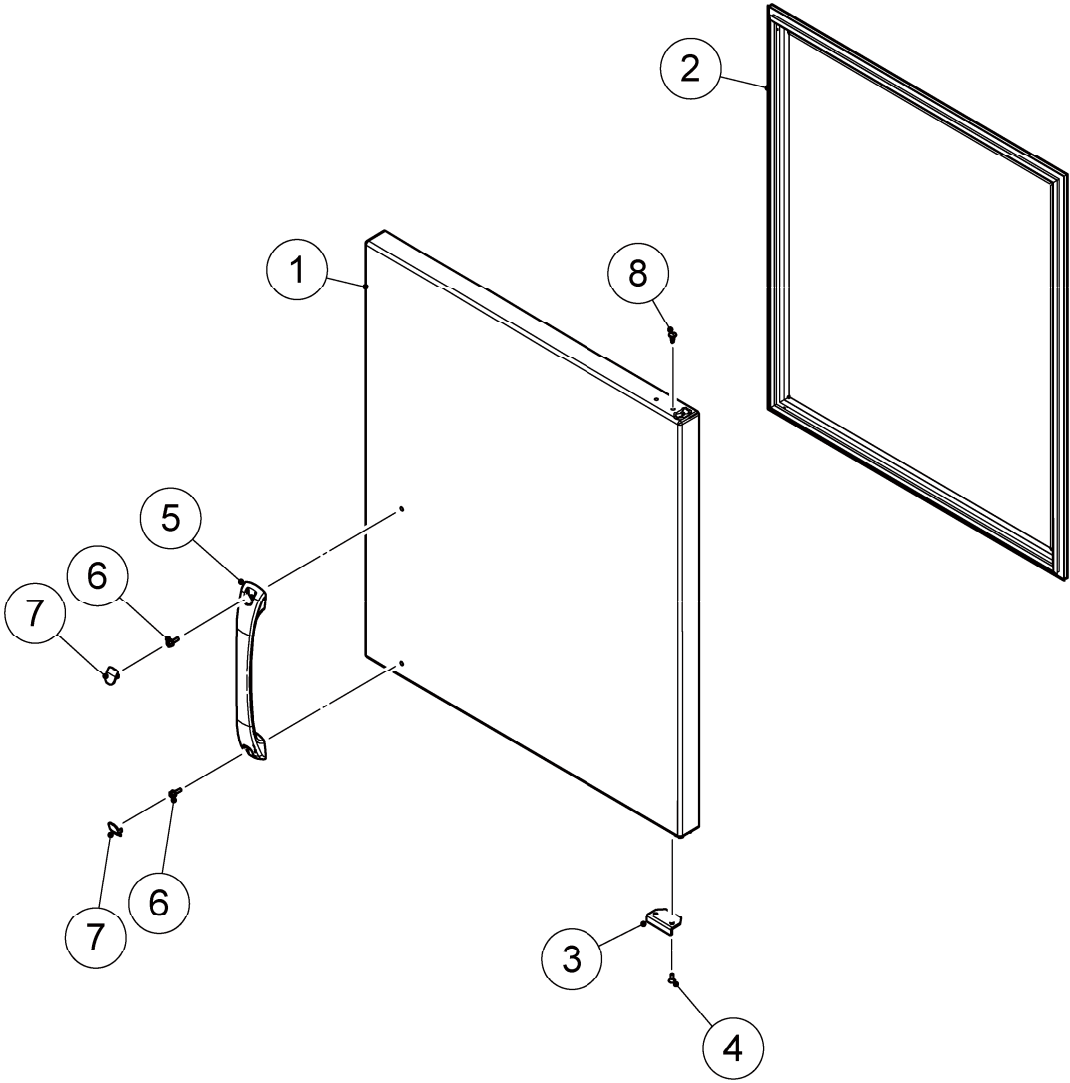
| MODEL: <b>HRE-70B-ALD-GN</b> TITLE: <b>P. DOOR (R) ASSY (S-26841)</b> |                                  |                          |             |              |  |  |  |
|---|----------------------------------|--------------------------|-------------|--------------|--|--|--|
| INDEX NO.   | DESCRIPTION                      | MATERIAL OR MODEL NUMBER | PART NUMBER | REQ'D NUMBER |  |  |  |
|   |                                  |                          |             | F-1          |  |  |  |
| 1   | DOOR                             |                          | 266831G01   | 1            |  |  |  |
| 2   | DOOR GASKET                      |                          | 260779G01   | 1            |  |  |  |
| 3   | DOOR STOPPER                     |                          | 454210-01   | 1            |  |  |  |
| 4   | FLAT HEAD TAPPING SCREW (S-TITE) | SUS 5x12                 | FTF0512M0   | 2            |  |  |  |
| 5   | HANDLE                           |                          | 265706P01   | 1            |  |  |  |
| 6   | SCREW - BOLT                     | SUS 5x16                 | P02006-01   | 2            |  |  |  |
| 7   | CAP - HANDLE                     |                          | 379360P01   | 2            |  |  |  |
| 8   | HOLE PLUG                        |                          | 463980-01   | 2            |  |  |  |
|   |                                  |                          |             |              |  |  |  |

(S-26819)

HRE-70B-AHD-GN

D. DOOR (R) - UP ASSY

(F-1) and later



HL

| MODEL: <b>HRE-70B-AHD-GN</b> TITLE: <b>D. DOOR (R) - UP,ASSY(S-26819)</b> |                                  |                          |             |              |  |  |  |
|---|----------------------------------|--------------------------|-------------|--------------|--|--|--|
| INDEX NO.   | DESCRIPTION                      | MATERIAL OR MODEL NUMBER | PART NUMBER | REQ'D NUMBER |  |  |  |
|   |                                  |                          |             | F-1          |  |  |  |
| 1   | DOOR (A) - G                     |                          | 266749G01   | 1            |  |  |  |
| 2   | DOOR GASKET - HD                 |                          | 260225G01   | 1            |  |  |  |
| 3   | DOOR STOPPER                     |                          | 454210-01   | 1            |  |  |  |
| 4   | FLAT HEAD TAPPING SCREW (S-TITE) |                          | FTF0512M0   | 2            |  |  |  |
| 5   | HANDLE                           |                          | 265706P01   | 1            |  |  |  |
| 6   | SCREW - BOLT                     | HM/SW/FW 5 x 16          | P02006-01   | 2            |  |  |  |
| 7   | CAP-HANDLE                       | PP 265706,265707         | 379360P01   | 2            |  |  |  |
| 8   | HOLE PLUG                        |                          | 463980-01   | 2            |  |  |  |
|   |                                  |                          |             |              |  |  |  |

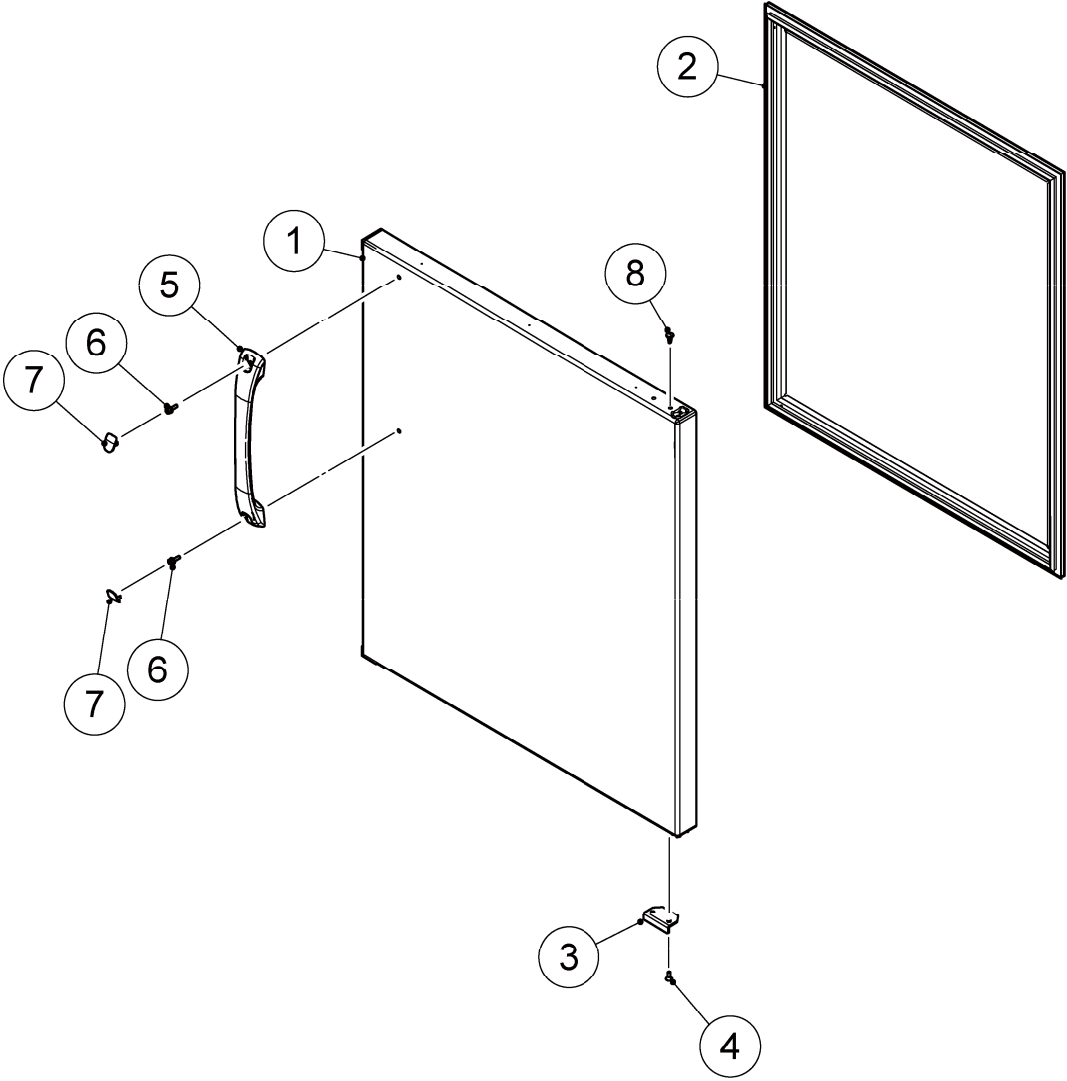


(S-26820)

HRE-70B-AHD-GN

E. DOOR (R) - LO ASSY

(F-1) and later



HL

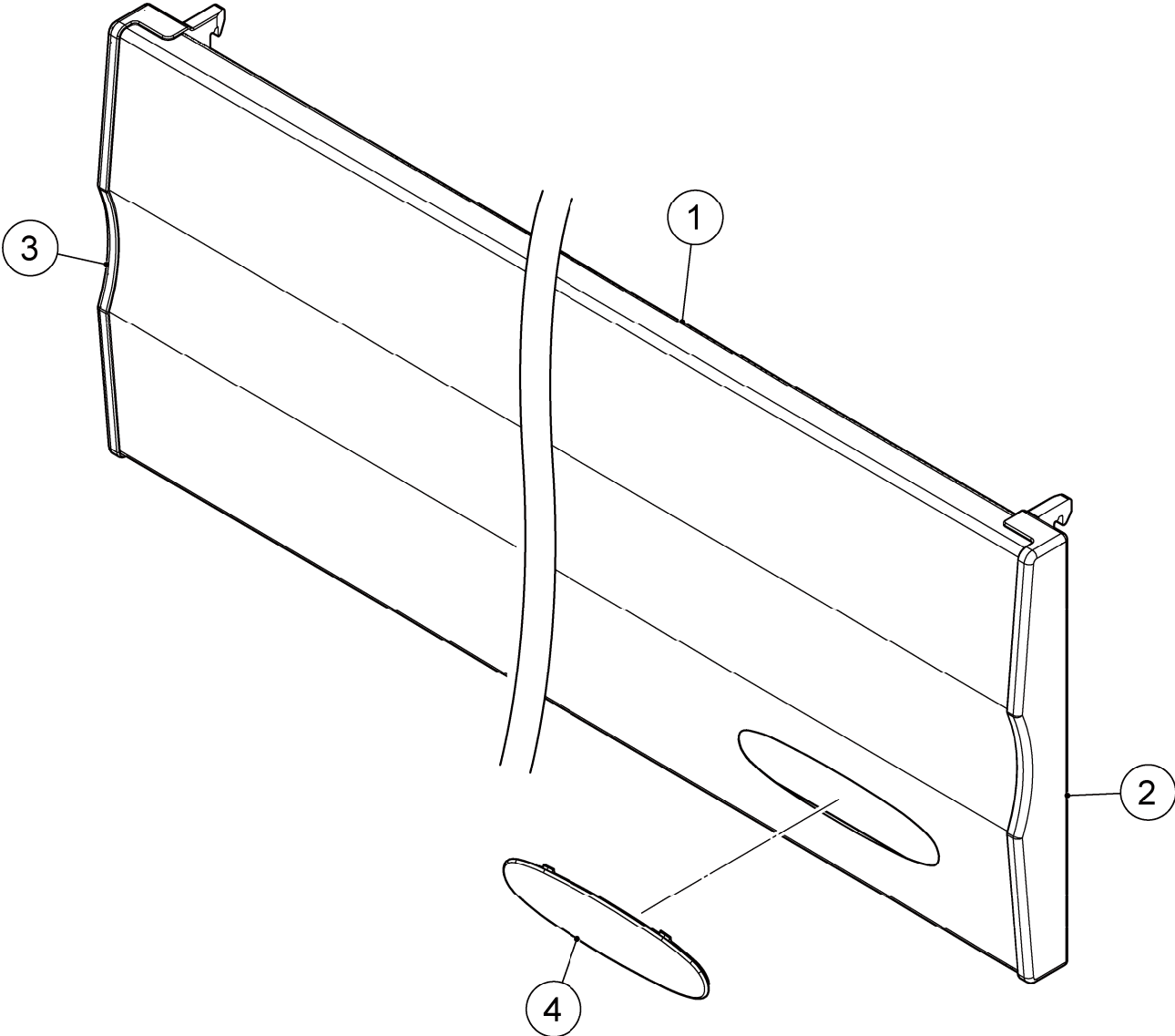
| MODEL: HRE-70B-AHD-GN TITLE: E. DOOR (R) - LO,ASSY(S-26820) |                                  |                          |             |              |  |  |  |
|---|----------------------------------|--------------------------|-------------|--------------|--|--|--|
| INDEX NO.   | DESCRIPTION                      | MATERIAL OR MODEL NUMBER | PART NUMBER | REQ'D NUMBER |  |  |  |
|   |                                  |                          |             | F-1          |  |  |  |
| 1   | DOOR (B) - G                     |                          | 266752G01   | 1            |  |  |  |
| 2   | DOOR GASKET - HD                 |                          | 260225G01   | 1            |  |  |  |
| 3   | DOOR STOPPER                     |                          | 454210-01   | 1            |  |  |  |
| 4   | FLAT HEAD TAPPING SCREW (S-TITE) |                          | FTF0512M0   | 2            |  |  |  |
| 5   | HANDLE                           |                          | 265706P01   | 1            |  |  |  |
| 6   | SCREW - BOLT                     | HM/SW/FW 5 x 16          | P02006-01   | 2            |  |  |  |
| 7   | CAP-HANDLE                       | PP 265706,265707         | 379360P01   | 2            |  |  |  |
| 8   | HOLE PLUG                        |                          | 463980-01   | 2            |  |  |  |
|   |                                  |                          |             |              |  |  |  |

(S-26821)

HRE-70B-AHD-GN  
HRE-70B-ALD-GN

F. FRONT PANEL ASSY

(F-1) and later



HL

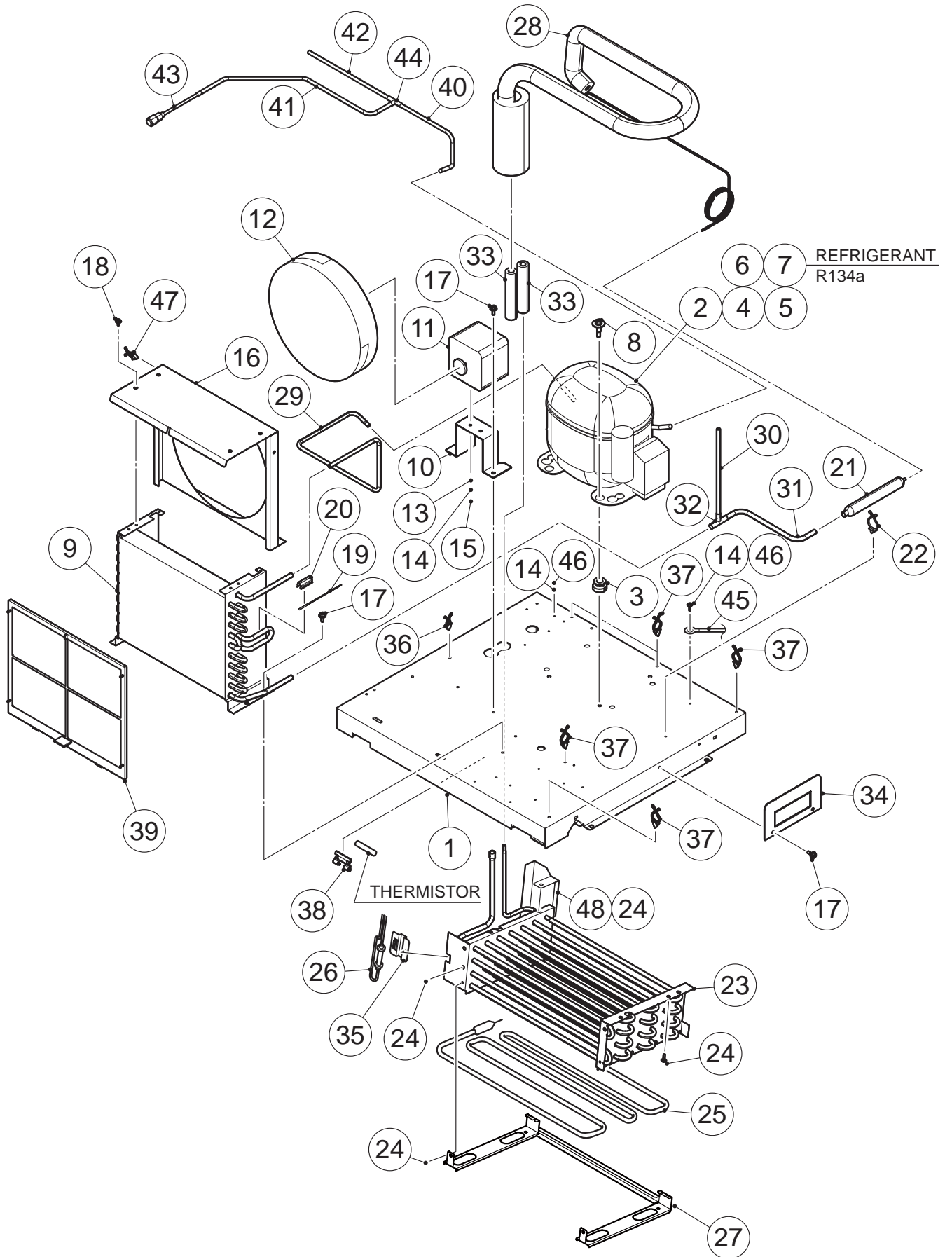
| MODEL: <b>HRE-70B-AHD-GN</b><br><b>HRE-70B-ALD-GN</b> |                         | TITLE: <b>F. FRONT PANEL ASSY(S-26821)</b> |             |              |  |  |  |
|---|-------------------------|--|-------------|--------------|--|--|--|
| INDEX NO.   | DESCRIPTION             | MATERIAL OR MODEL NUMBER                   | PART NUMBER | REQ'D NUMBER |  |  |  |
|   |                         |  |             | F-1          |  |  |  |
| 1   | FRONT PANEL - 70        |  | 266755M01   | 1            |  |  |  |
| 2   | CORNER - FRONT PANEL(R) |  | 260090P03   | 1            |  |  |  |
| 3   | CORNER - FRONT PANEL(L) |  | 260091P03   | 1            |  |  |  |
| 4   | WINDOW PANEL            |  | 364228-01   | 1            |  |  |  |
|   |                         |  |             |              |  |  |  |

(S-28147)

HRE-70B-AHD-GN  
HRE-70B-ALD-GN

G. REFRIGERATION ASSY

(F-1) and later



HL

MODEL: **HRE-70B-AHD-GN**  
**HRE-70B-ALD-GN**

TITLE: **G. REFRIGERATION ASSY(S-28147)**

| INDEX NO. | DESCRIPTION                 | MATERIAL OR MODEL NUMBER          | PART NUMBER | REQ'D NUMBER |  |  |  |
|-----------|-----------------------------|-----------------------------------|-------------|--------------|--|--|--|
|           |                             |                                   |             | F-1          |  |  |  |
| 1         | BASE                        |                                   | 121743G01   | 1            |  |  |  |
| 2         | COMPRESSOR                  |                                   | 450891-01   | 1            |  |  |  |
| 3         | GROMMET                     |                                   | 450897-01   | 4            |  |  |  |
| 4         | START CAPACITOR             |                                   | 450898-01   | 1            |  |  |  |
| 5         | STARTING RELAY              |                                   | 450893-01   | 1            |  |  |  |
| 6         | CORD RELIEF                 |                                   | 4A3264-01   | 1            |  |  |  |
| 7         | COVER                       |                                   | 450896-01   | 1            |  |  |  |
| 8         | BOLT                        |                                   | 468180-01   | 4            |  |  |  |
| 9         | CONDENSER                   |                                   | P00166-01   | 1            |  |  |  |
| 10        | BRACKET - FAN MOTOR         |                                   | 471206M01   | 1            |  |  |  |
| 11        | FAN MOTOR                   | EBM                               | P00156-01   | 1            |  |  |  |
| 12        | FAN BLADE                   | φ 230-22EBM                       | P00185-01   | 1            |  |  |  |
| 13        | FLAT WASHER                 |                                   | FWPL04S0    | 2            |  |  |  |
| 14        | SPRING WASHER               |                                   | FWSP04S0    | 4            |  |  |  |
| 15        | NUT                         |                                   | FNH104S0    | 2            |  |  |  |
| 16        | COVER - CONDENSER           |                                   | 369385M01   | 1            |  |  |  |
| 17        | FLANGE BOLT (S-TITE)        | STH-W 5 x 12                      | P02005-01   | 10           |  |  |  |
| 18        | TAPPING SCREW - HEX         |                                   | 456789-01   | 4            |  |  |  |
| 19        | THERMISTOR                  | 7P                                | 469095-01   | 1            |  |  |  |
| 20        | THERMISTOR - HOLDER         |                                   | 458132-01   | 1            |  |  |  |
| 21        | DRIER                       |                                   | P00007-01   | 1            |  |  |  |
| 22        | CLAMP                       | No.2674                           | 427902-02   | 1            |  |  |  |
| 23        | EVAPORATOR                  |                                   | P00165-01   | 1            |  |  |  |
| 24        | TRUSS HEAD TAPPING SCREW T2 |                                   | FT20412M0   | 7            |  |  |  |
| 25        | DEFROST HEATER              |                                   | P02930-01   | 1            |  |  |  |
| 26        | FUSE                        | 94°C                              | P01103-01   | 1            |  |  |  |
| 27        | SUPPORT (G) - HEATER        |                                   | 369622G01   | 1            |  |  |  |
| 28        | HEAT EXCHANGER              |                                   | 252496G01   | 1            |  |  |  |
| 29        | COPPER TUBE (A) - (H)       |                                   | 369386M01   | 1            |  |  |  |
| 30        | CHARGE TUBE                 | COPPER TUBE(B) - (H)<br>471204G01 | 475772M01   | 1            |  |  |  |
| 31        | COPPER TUBE(B2) - (H)       | COPPER TUBE(B) - (H)<br>471204G01 | 471204M02   | 1            |  |  |  |
| 32        | TEE                         | COPPER TUBE(B) - (H)<br>471204G01 | 420041-02   | 1            |  |  |  |
| 33        | INSULATION TUBE (AEMAFLEX)  |                                   | H91022070   | 2            |  |  |  |
| 34        | HANDLE                      |                                   | 312719-01   | 2            |  |  |  |

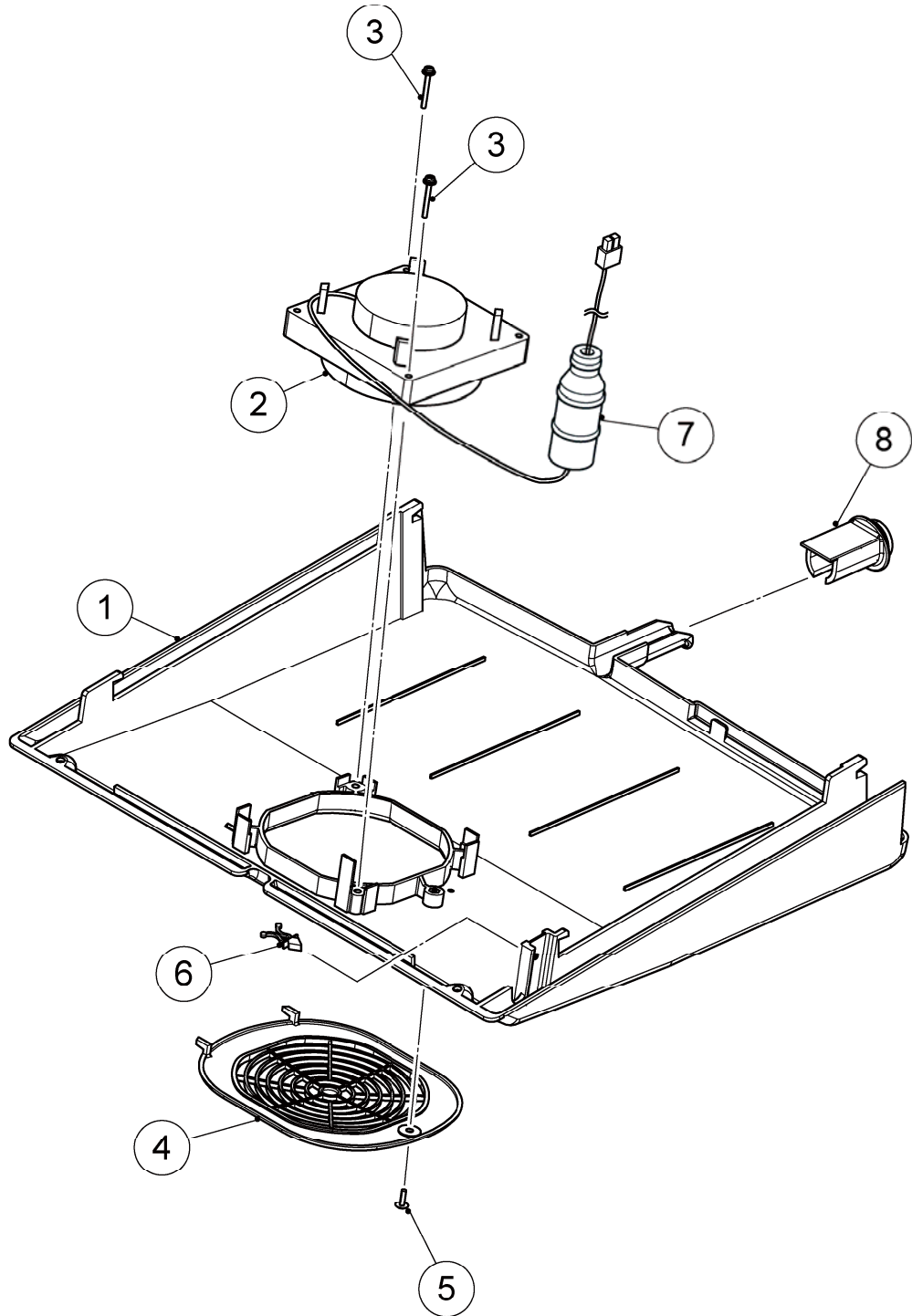


(S-20033)

HRE-70B-AHD-GN  
HRE-70B-ALD-GN

H. AIR DUCT ASSY

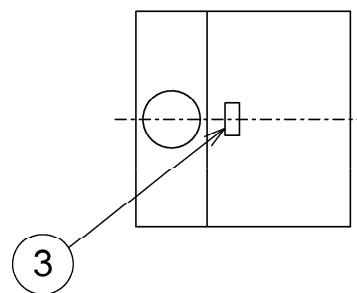
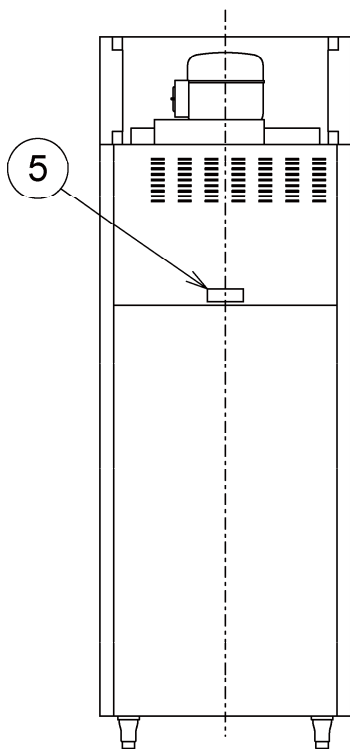
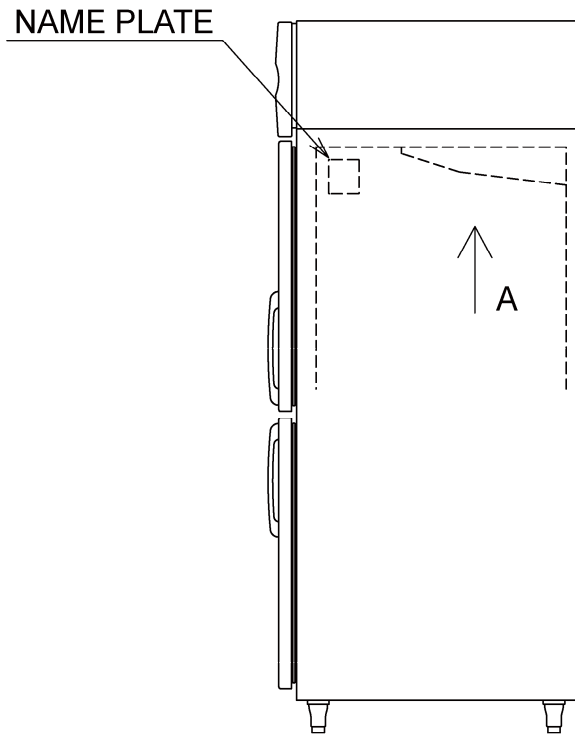
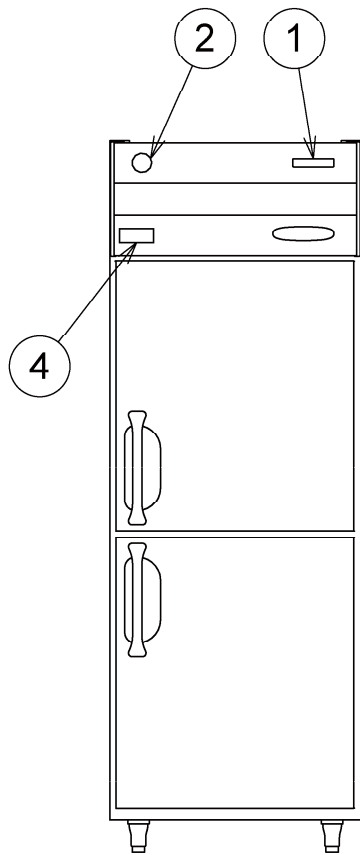
(F-1) and later





HL

| MODEL: HRE-70B-AHD-GN      TITLE: H. AIR DUCT ASSY(S-20033) |   |                          |             |              |  |  |  |
|---|---|--------------------------|-------------|--------------|--|--|--|
| INDEX NO.   | DESCRIPTION   | MATERIAL OR MODEL NUMBER | PART NUMBER | REQ'D NUMBER |  |  |  |
|   |   |                          |             | F-1          |  |  |  |
| 1   | AIR DUCT  |                          | 118516G01   | 1            |  |  |  |
| 2   | FAN MOTOR (C)   |                          | 469067G01   | 1            |  |  |  |
| 3   | PAN HEAD MACHINE SCREW<br>(SPRING WASHER AND FLAT WASHER) |                          | FSK0430S0   | 2            |  |  |  |
| 4   | FAN COVER   |                          | 242785-01   | 1            |  |  |  |
| 5   | TRUSS HEAD SCREW  |                          | FST0412S0   | 1            |  |  |  |
| 6   | CLAMP   | No.248                   | 427902-04   | 1            |  |  |  |
| 7   | INSULATION TUBE<br>(ARMAFLEX)                             |                          | H91224100   | 1            |  |  |  |
| 8   | GASKET - DRAIN ELBOW X                                    |                          | 469086-01   | 1            |  |  |  |
|   |   |                          |             |              |  |  |  |



HL

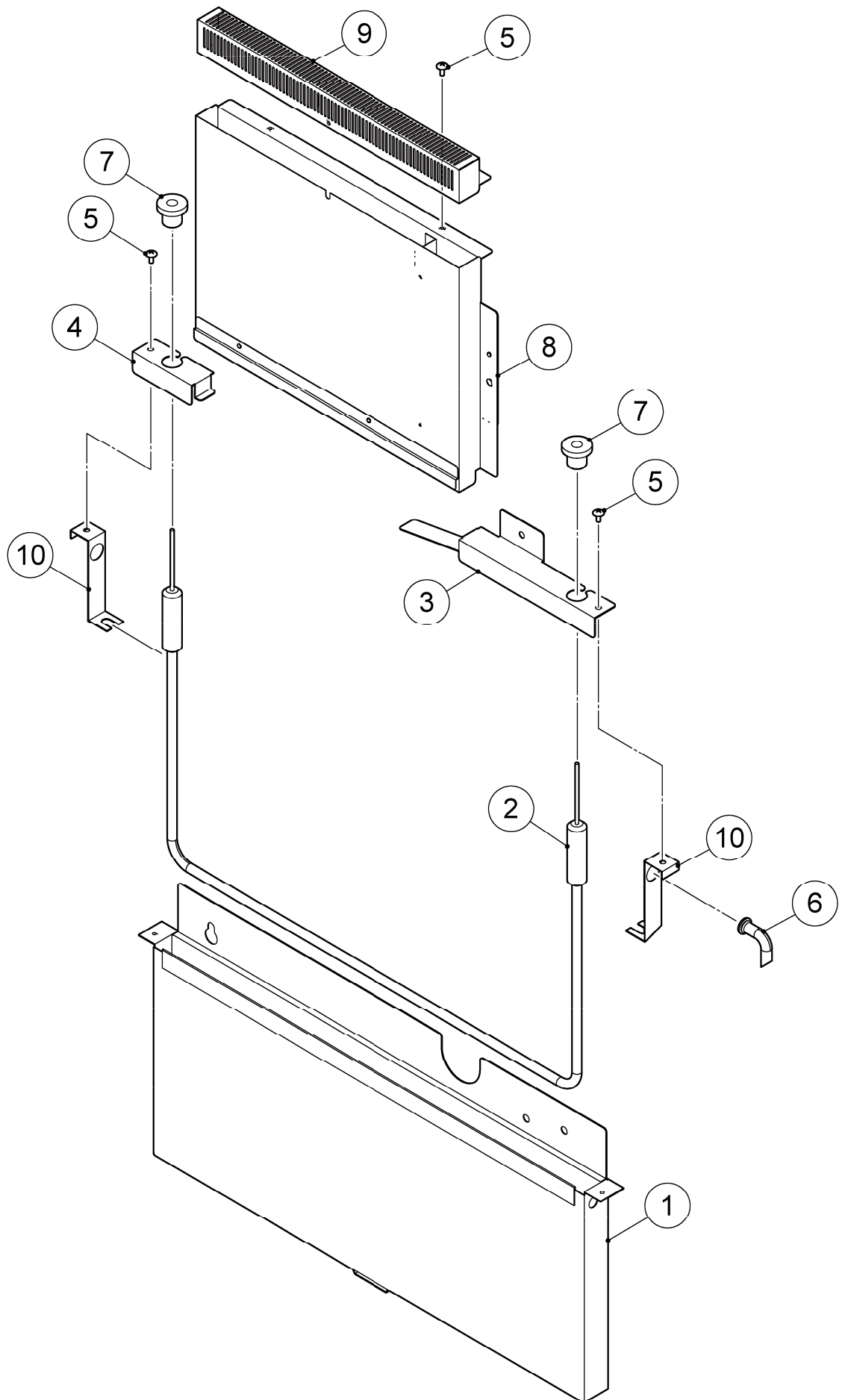
| MODEL: <b>HRE-70B-AHD-GN</b> TITLE: <b>J. LABEL LOCATION(S-26605)</b> |                            |                          |             |              |  |  |  |
|---|----------------------------|--------------------------|-------------|--------------|--|--|--|
| INDEX NO.   | DESCRIPTION                | MATERIAL OR MODEL NUMBER | PART NUMBER | REQ'D NUMBER |  |  |  |
|   |                            |                          |             | F-1          |  |  |  |
| 1   | EMBLEM                     |                          | 340842-01   | 1            |  |  |  |
| 2   | LABEL - PENGUIN            |                          | 475552L02   | 1            |  |  |  |
| 3   | LABEL - FAN COVER          |                          | 472775L01   | 1            |  |  |  |
| 4   | MAINTENANCE LABEL          |                          | 473556L01   | 1            |  |  |  |
| 5   | CAUTION LABEL - DRAIN TANK |                          | 478536L01   | 1            |  |  |  |
|   |                            |                          |             |              |  |  |  |

(S-20034)

HRE-70B-AHD-GN  
HRE-70B-ALD-GN

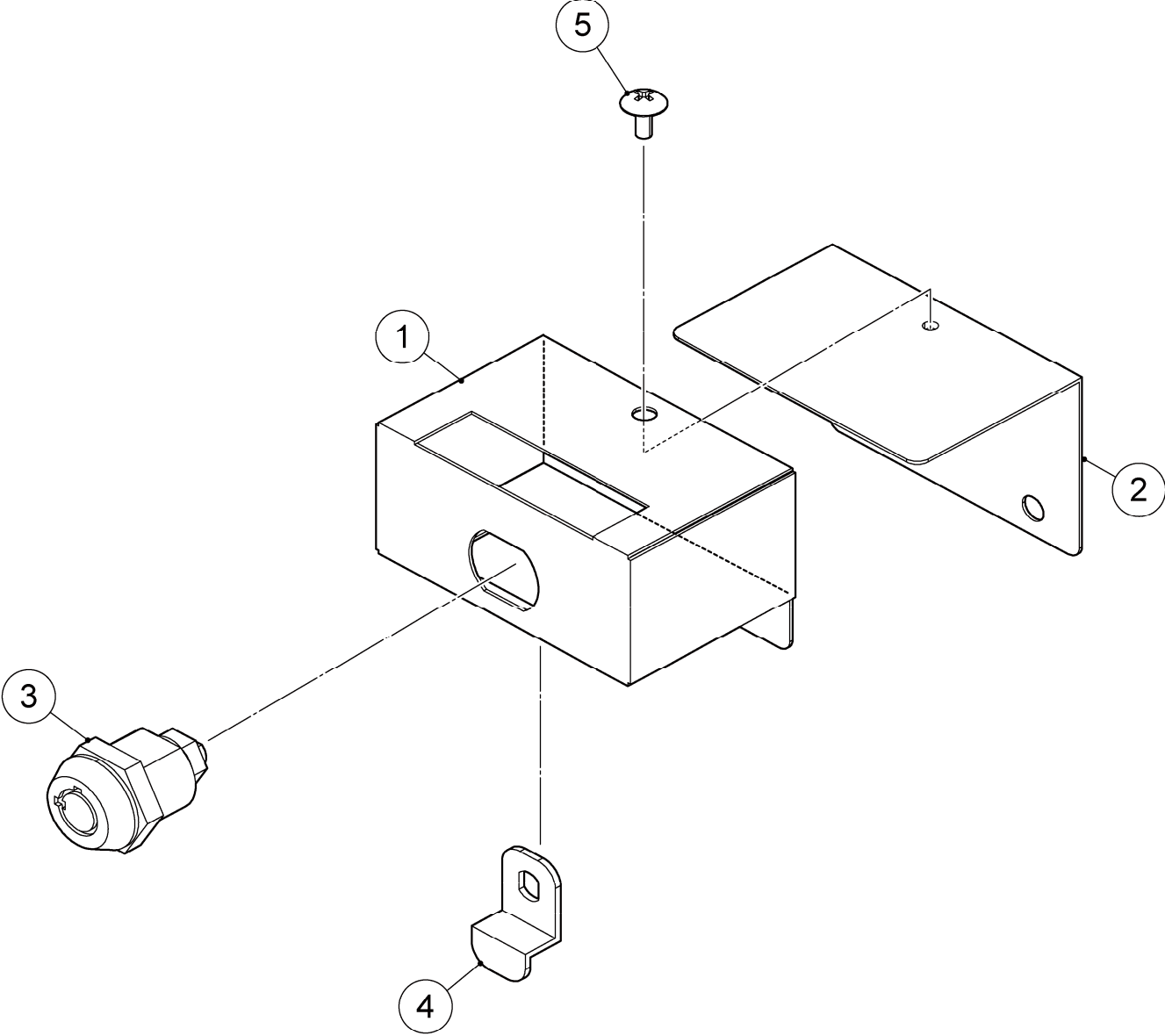
K. DRAIN TANK ASSY

(F-1) and later



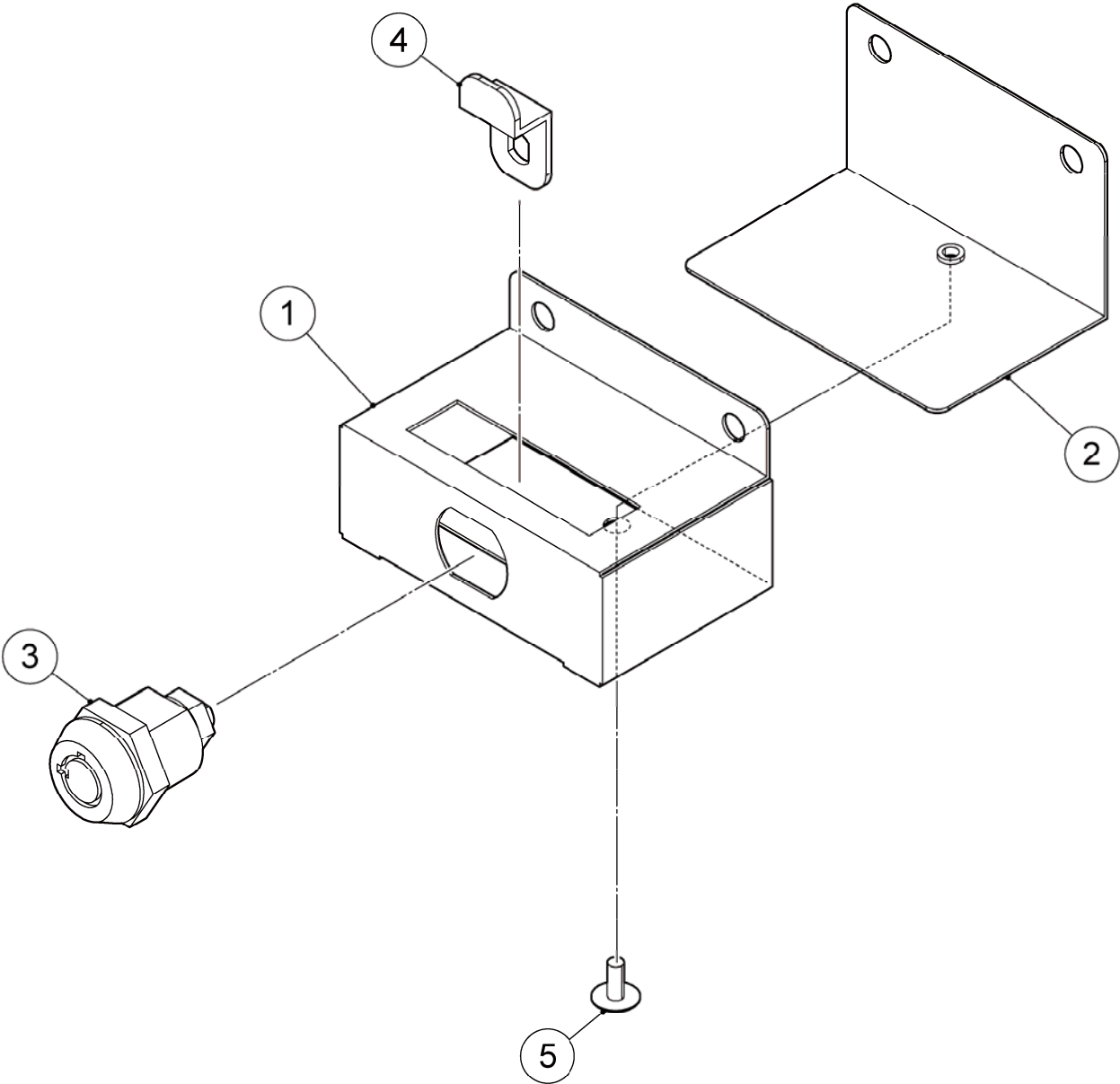
HL

| MODEL: <b>HRE-70B-AHD-GN</b> TITLE: <b>K. DRAIN TANK ASSY(S-20034)</b> |                        |                          |             |              |  |  |  |
|--|------------------------|--------------------------|-------------|--------------|--|--|--|
| INDEX NO.  | DESCRIPTION            | MATERIAL OR MODEL NUMBER | PART NUMBER | REQ'D NUMBER |  |  |  |
|  |                        |                          |             | F-1          |  |  |  |
| 1  | DRAIN TANK (A)         |                          | 369388G01   | 1            |  |  |  |
| 2  | SHEATHED HEATER        |                          | P00153-02   | 1            |  |  |  |
| 3  | FLANGE - DRAIN TANK(A) |                          | 369392M01   | 1            |  |  |  |
| 4  | FLANGE - DRAIN TANK(B) |                          | 471210M01   | 1            |  |  |  |
| 5  | TRUSS HEAD SCREW       |                          | FST0408S0   | 5            |  |  |  |
| 6  | ELBOW - OVERFLOW       |                          | 471216R01   | 1            |  |  |  |
| 7  | HEATER BUSH            |                          | 471435R01   | 2            |  |  |  |
| 8  | DUCT - DRAIN TANK      |                          | 369393G01   | 1            |  |  |  |
| 9  | DUCT COVER- DRAIN TANK |                          | 369396M01   | 1            |  |  |  |
| 10   | BRACKET - TANK HEATER  |                          | 472012M01   | 2            |  |  |  |
|  |                        |                          |             |              |  |  |  |



HL

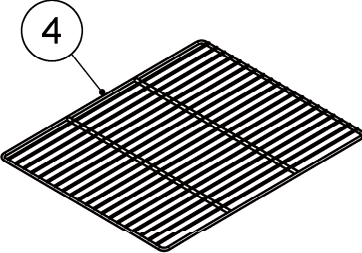
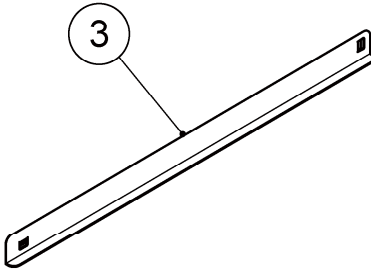
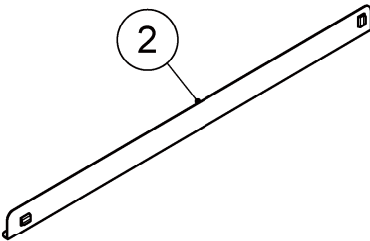
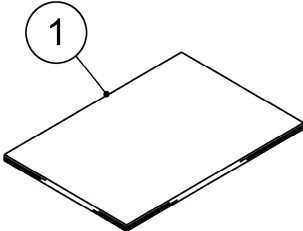
| MODEL: <b>HRE-70B-AHD-GN</b> TITLE: <b>L. LOCK AY</b> |                         |                          |             |              |  |  |  |
|---|-------------------------|--------------------------|-------------|--------------|--|--|--|
| INDEX NO.   | DESCRIPTION             | MATERIAL OR MODEL NUMBER | PART NUMBER | REQ'D NUMBER |  |  |  |
|   |                         |                          |             | F-1          |  |  |  |
| 1   | LOCK BRACKET (A) - BODY |                          | 380589M01   | 1            |  |  |  |
| 2   | LOCK BRACKET (B) - BODY |                          | 480334M01   | 1            |  |  |  |
| 3   | LOCK                    |                          | P02055-01   | 1            |  |  |  |
| 4   | LOCK PLATE              |                          | 480335M01   | 1            |  |  |  |
| 5   | TRUSS HEAD SCREW        |                          | FST0408S0   | 1            |  |  |  |
|   |                         |                          |             |              |  |  |  |





HL

| MODEL: <b>HRE-70B-AHD-GN</b> TITLE: <b>M. LOCK AY</b> |                         |                          |             |              |  |  |  |
|---|-------------------------|--------------------------|-------------|--------------|--|--|--|
| INDEX NO.   | DESCRIPTION             | MATERIAL OR MODEL NUMBER | PART NUMBER | REQ'D NUMBER |  |  |  |
|   |                         |                          |             | F-1          |  |  |  |
| 1   | LOCK BRACKET (C) - BODY |                          | 380695M01   | 1            |  |  |  |
| 2   | LOCK BRACKET (D) - BODY |                          | 480398M01   | 1            |  |  |  |
| 3   | LOCK                    |                          | P02055-01   | 1            |  |  |  |
| 4   | LOCK PLATE              |                          | 480335M01   | 1            |  |  |  |
| 5   | TRUSS HEAD SCREW        |                          | FST0408S0   | 1            |  |  |  |
|   |                         |                          |             |              |  |  |  |



HL

| MODEL: HRE-70B-AHD-GN |                    | TITLE: N. ACCESSORIES    |             |              |  |  |  |
|-----------------------|--------------------|--------------------------|-------------|--------------|--|--|--|
| INDEX NO.             | DESCRIPTION        | MATERIAL OR MODEL NUMBER | PART NUMBER | REQ'D NUMBER |  |  |  |
|                       |                    |                          |             | F-1          |  |  |  |
| 1                     | INSTRUCTION MANUAL |                          | L1R273309   | 1            |  |  |  |
| 2                     | RAIL (R)           |                          | 369511M01   | 4            |  |  |  |
| 3                     | RAIL (L)           |                          | 369512M01   | 4            |  |  |  |
| 4                     | SHELF              |                          | 377872G01   | 4            |  |  |  |
|                       |                    |                          |             |              |  |  |  |