



REACH-IN FREEZER

HF-78MA-A

PARTS LIST

[AUSTRALIA]

R594-C400

J-0 August. 2019

R594-4911 (0819)

Product Code Spec

HF-78MA-A

R594-C400

AUSTRALIA

星崎商用冷冻柜	
产品型号	HF-78MA-C400
气候类别	S
防滴水保护类别	1类
总有效容积	1710L
低湿有效容积	1710L
额定电压	~220V
额定频率	50Hz
输入总功率	837W
总加热量	57W
耗电量	19.9kWh/24h
制冷能力	35kg
制冷剂名称及充入量	R404A/310g
净重	213kg
星崎电机(苏州)有限公司 中国·苏州	

B10999J

└┘ AUXILIARY CODE

AUXILIARY CODE

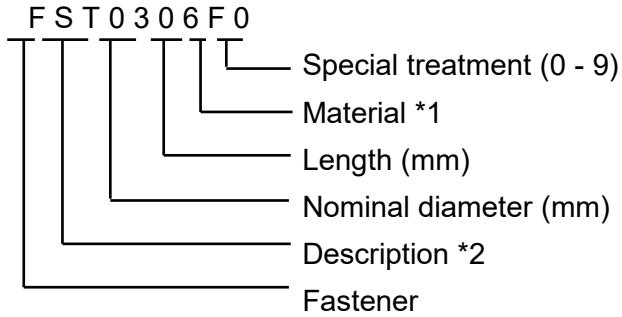
U - 1

The auxiliary code is the first two characters in the serial number. The first character indicates the production year. Years progress or regress in alphabetical order. The series of letters and skipped letters depend on UL listing, production, and model. See the auxiliary code(s) and corresponding year(s) on the front cover.

The second character indicates significant part changes within the same year. Base is "1" and this number advances for each change. If there is no significant part change at the turn of the year, this number starts from "0."

FASTENER PART NUMBER

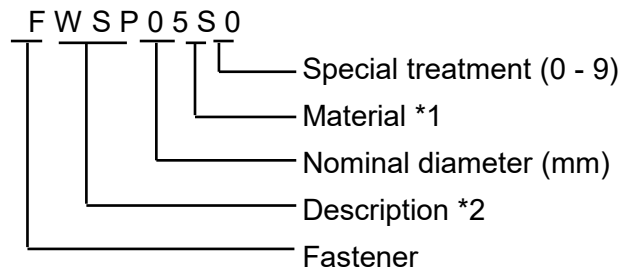
SCREWS



*1

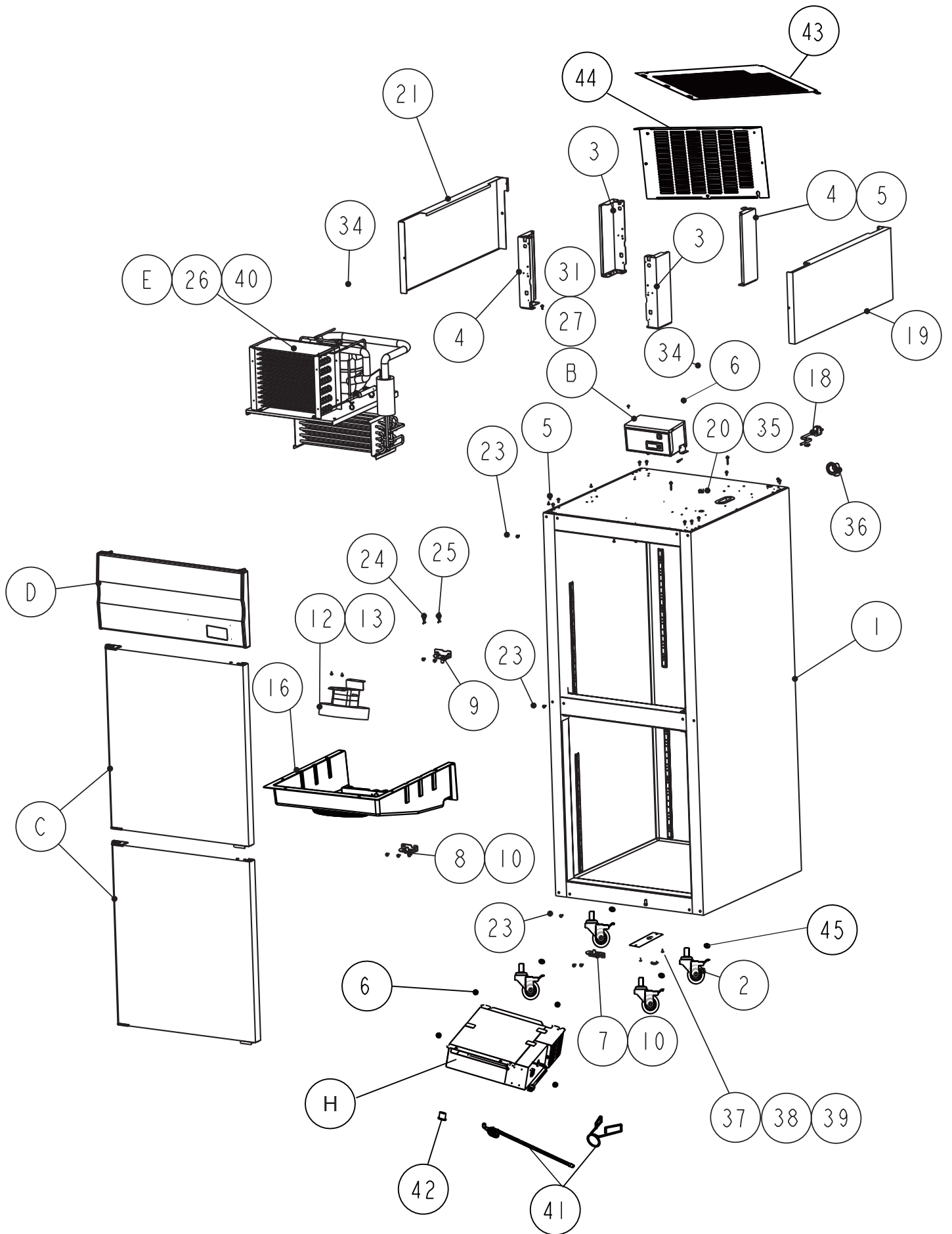
- F: Steel
- S: Austenitic stainless steel
- M: Martensitic stainless steel
- B: Copper alloy
- P: Polycarbonate
- N: Polyamide
- V: PVC
- A: ABS
- X: Polyacetal
- L: Aluminum

NUTS & WASHERS



*2

- First letter
- S: Machine screw
- T: Tapping screw
- M: Wood screw
- B: Bolt
- W: Washer
- N: Nut

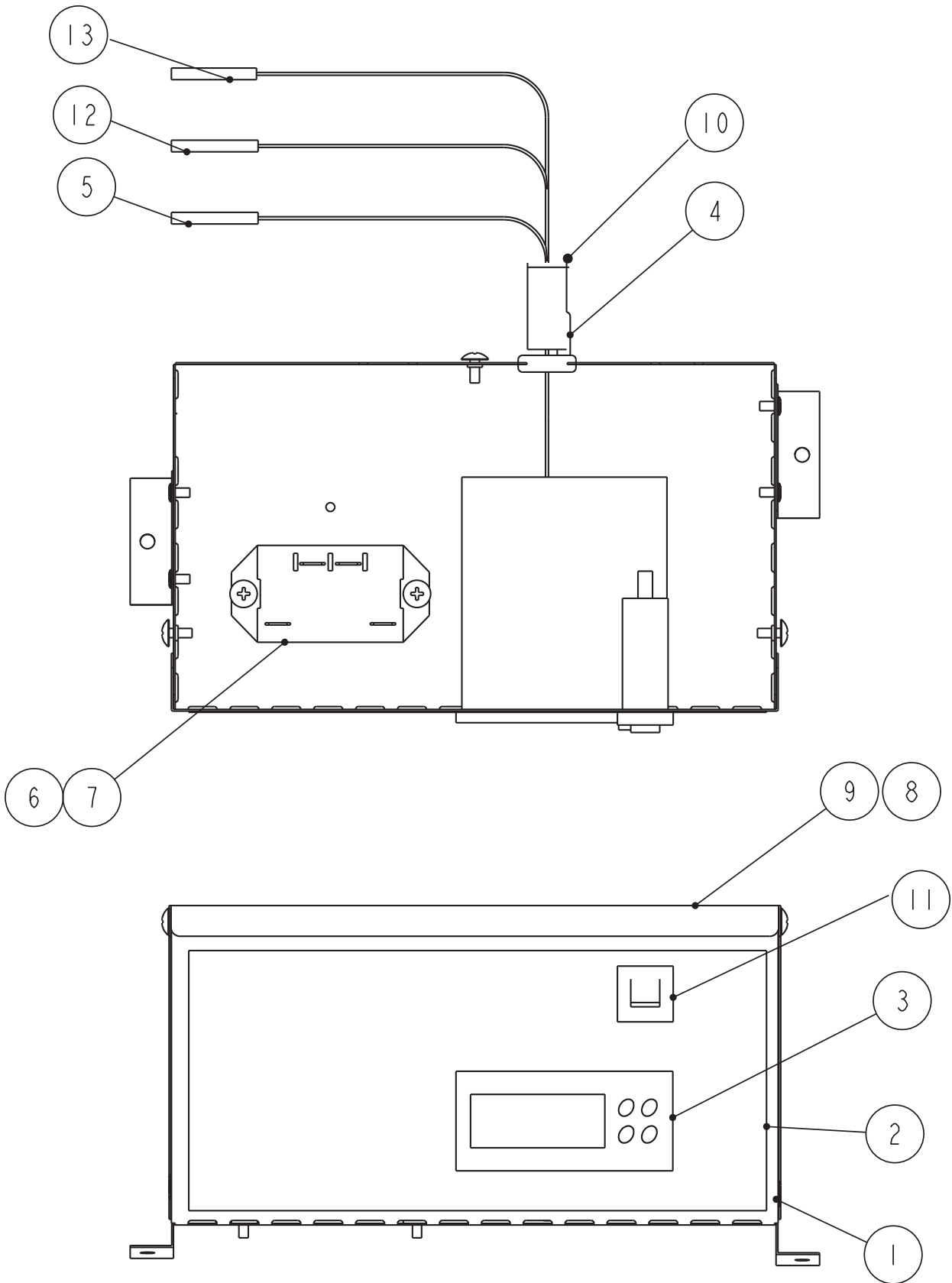


MODEL: **HF-78MA-A**TITLE: **A. REFRIGERATOR ASSY**

INDEX NO.	DESCRIPTION	MATERIAL OR MODEL NUMBER	PART NUMBER	REQ'D NUMBER			
				J-0 and later			
B	CONTROL BOX ASSY	(S-32010)	391410A02	1			
C	DOOR R,AY	(S-30223)	274435A01	2			
D	FRONT PANEL ASSY	(S-31649)	279126A01	1			
E	REFRIGERATION ASSY		121390001	1			
F	LABEL LOCATION	(S-28190)	261045A03	1			
G	ACCESSORIES		A03604019	1			
H	EVAPORATING PAN SET	(S-29687)	272922A01	1			
1	BODY		126529011	1			
2	LEG		P00635-01	4			
3	GRIP(A)		260268M01	2			
4	GRIP(B)		260269M01	2			
5	FLANGE BOLT (S-TITE)		P02005-01	26			
6	FLANGE BOLT (S-TITE)		445994-05	12			
7	DOOR HINGE (R) , LO		375316G01	1			
8	DOOR HINGE (R) , CT		375317G01	1			
9	DOOR HINGE (R) , UP		375315G01	1			
10	HINGE COLLAR - HINGE		339948-01	2			
12	FAN MOTOR AY		389473A02	1			
13	HEX HEAD BOLT SW		FBK0410S0	10			
16	AIR DUCT(G) - F		279251G01	1			
18	POWER SUPPLY CORD -HLP		476208G01	1			
19	SIDE PANEL (R)		418814-04	1			
20	TRUSS HEAD SCREW		FST0412S0	1			
21	SIDE PANEL (L)		375190M02	1			
23	HOLE PLUG		463980-01	6			

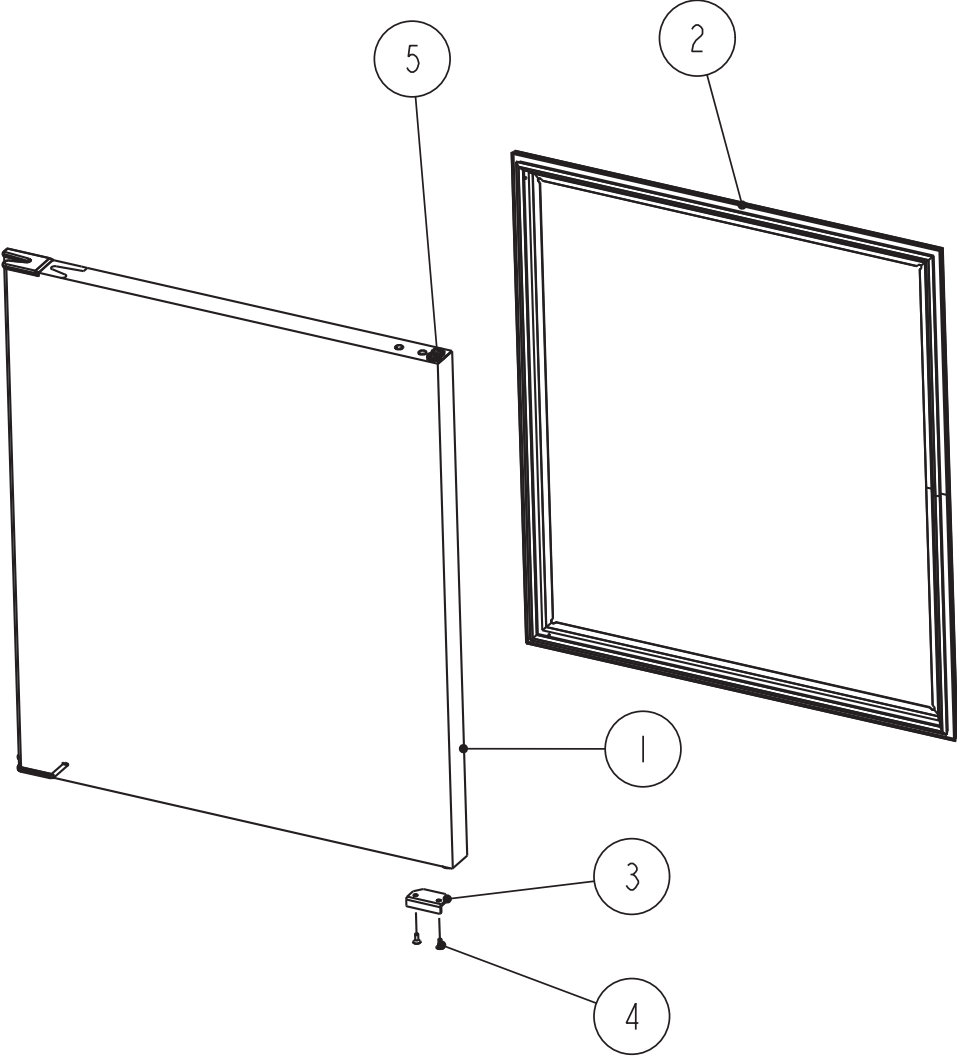
MODEL: **HF-78MA-A**TITLE: **A. REFRIGERATOR ASSY**

INDEX NO.	DESCRIPTION	MATERIAL OR MODEL NUMBER	PART NUMBER	REQ'D NUMBER			
				J-0 and later			
24	WIRE RETAINER		427902-03	2			
25	WIRE RETAINER		427902-05	5			
26	VINYL TUBE - UL		121334Z01	1			
27	BAG		4X1559-01	2			
31	WIRING LABEL		279137L01	1			
34	S-TITE TRUSS HEAD SCREW		FTS0406M0	2			
35	SPRING WASHER		FWSP04S0	1			
36	GASKET - DORAIN ELBOW		475688R01	1			
37	COVER		386702M01	1			
38	T2 TRUSS HEAD SCREW		FT20408M0	2			
39	GROMMET		410666-05	1			
40	AIR FILTER		390729G01	2			
41	DRAIN HOSE ASSY		471190001	1			
42	BUSHING		428394-03	1			
43	TOP COVER		279140M01	1			
44	REAR COVER		269177M01	1			
45	FLAT WASHER		FWPL20F0	4			



MODEL: **HF-78MA-A**TITLE: **B. CONTROL BOX ASSY**

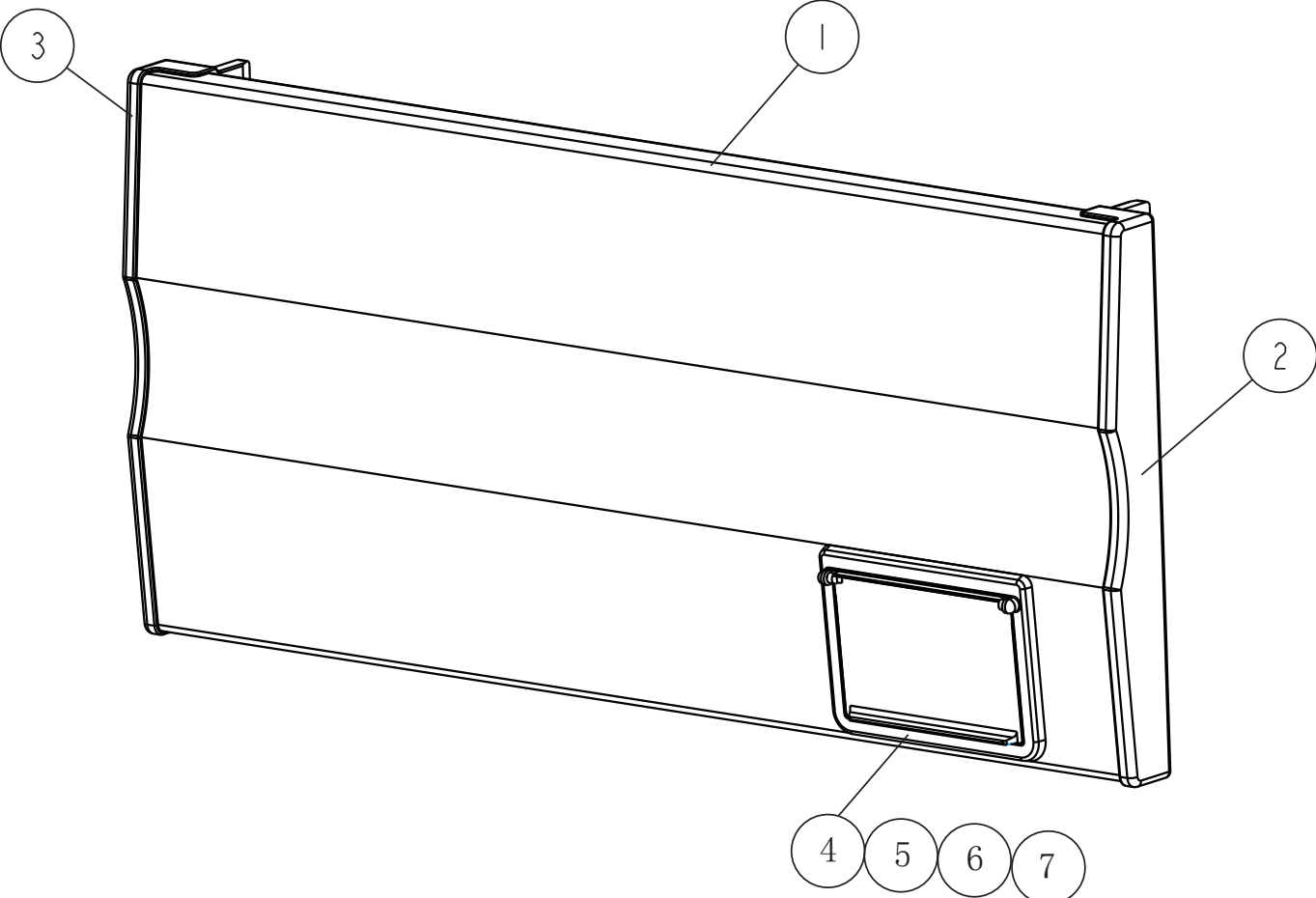
INDEX NO.	DESCRIPTION	MATERIAL OR MODEL NUMBER	PART NUMBER	REQ'D NUMBER			
				J-0 and later			
1	CONTROL BOX - G		375399G01	1			
2	CONTROL LABEL		390619L01	1			
3	CONTROLLER		P04865-01	1			
4	BUSH		451171-01	1			
5	TERMISTOR		P04878-01	1			
6	POWER RELAY		P00034-01	1			
7	T2 TRUSS HEAD SCREW		FT20408F0	2			
8	COVER - CONTROL BOX		375400M01	1			
9	TRUSS HEAD SCREW		FST0408S0	3			
10	VINYL TUBE - UL		79503B08K	1			
11	PROTECTOR		440972-07	1			
12	TERMISTOR		P04878-02	1			
13	TERMISTOR		P04878-03	1			



MODEL: **HF-78MA-A**

TITLE: **C. DOOR R,AY(S-30223)**

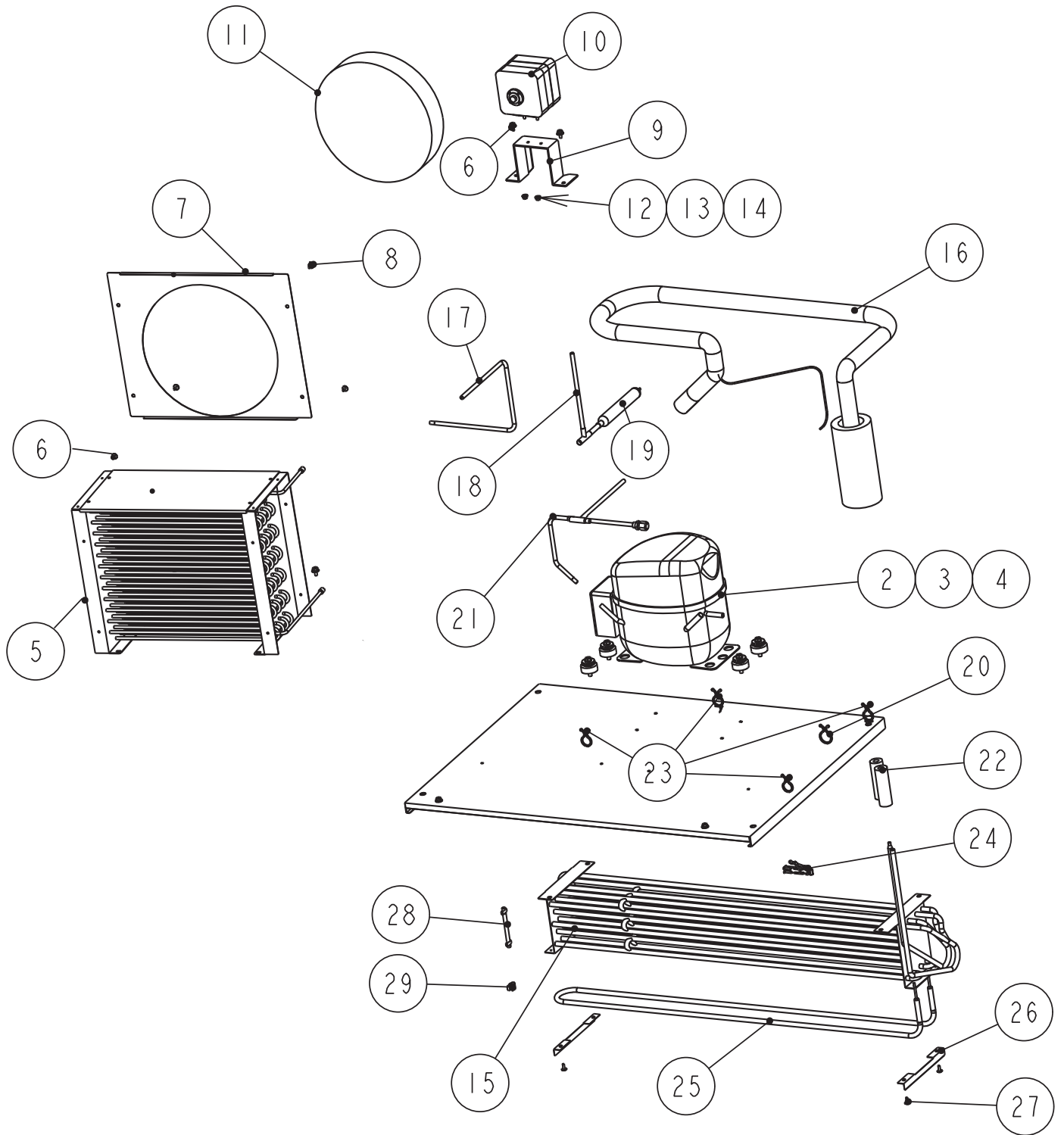
INDEX NO.	DESCRIPTION	MATERIAL OR MODEL NUMBER	PART NUMBER	REQ'D NUMBER			
				J-0 and later			
1	DOOR - INSULATION		274178G01	1			
2	DOOR GASKET - HD		260225G01	1			
3	DOOR STOPPER		454210-01	1			
4	FLAT HEAD TAPPING SCREW (S-TITE)		FTF0512M0	2			
5	HOLE PLUG		463980-01	2			



MODEL: **HF-78MA-A**

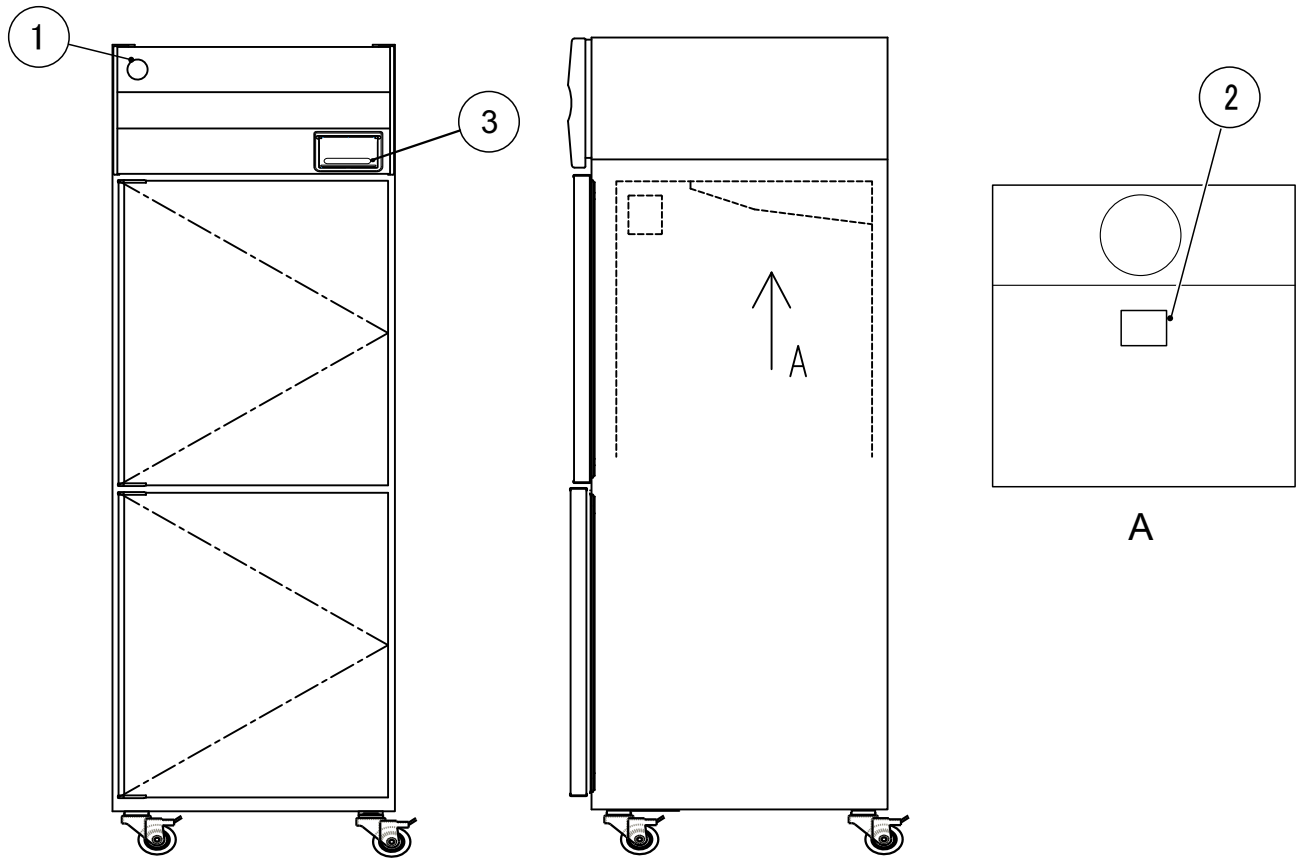
TITLE: **D. FRONT PANEL ASSY (S-31649)**

INDEX NO.	DESCRIPTION	MATERIAL OR MODEL NUMBER	PART NUMBER	REQ'D NUMBER			
				J-0 and later			
1	FRONT PANEL - 70		274729M01	1			
2	CORNER - FRONT PANEL(R)		260090P01	1			
3	CORNER - FRONT PANEL(L)		260091P01	1			
4	FRAM-WINDOW		317932-02	1			
5	DOOR		317933-01	1			
6	SPEED NUT (TYPE P)		7GP1-0300	4			
7	EMBLEM		473970L01	1			



MODEL: **HF-78MA-A**TITLE: **E. REFRIGERATION ASSY**

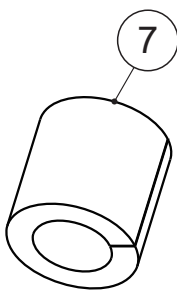
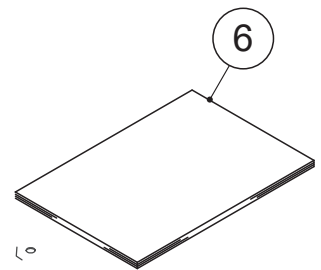
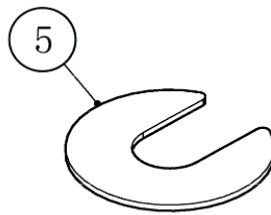
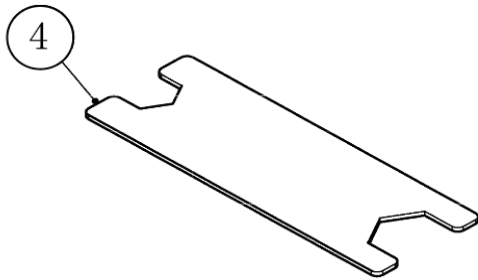
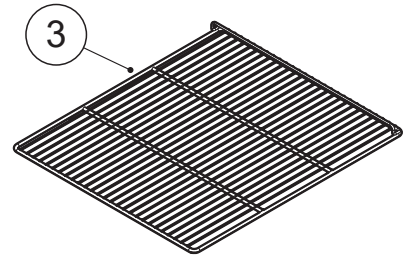
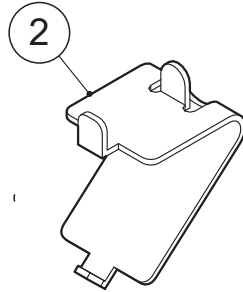
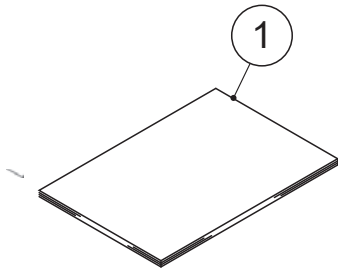
INDEX NO.	DESCRIPTION	MATERIAL OR MODEL NUMBER	PART NUMBER	REQ'D NUMBER			
				J-0 and later			
1	BASE		277898M02	1			
2	COMPRESSOR		P05072-01	1			
3	RUBBER GROMMET		P02608-01	4			
4	BOLT		468180-01	4			
5	WIRE CONDENSER		P05098-01	1			
6	FLANGE BOLT (S-TITE)		P02005-01	6			
7	COVER - CONDENSER		389475M02	1			
8	T2 TRUSS HEAD SCREW		FT20408M0	4			
9	BRACKET - FAN MOTOR		471206M01	1			
10	FAN MOTOR		P00156-01	1			
11	FAN BLADE		P00185-01	1			
12	FLAT WASHER		FWPL04S0	2			
13	SPRING WASHER		FWSP04S0	3			
14	NUT		FNH104S0	2			
15	EVAPORATOR		P05208-01	1			
16	HEAT EXCHANGER		278164G01	1			
17	COPPER TUBE A - H		389706M01	1			
18	COPPER TUBE B - H		485266G02	1			
19	DRIER		P00007-01	1			
20	CLAMP		427902-02	1			
21	COPPER TUBE - L		389705G01	1			
22	Insulation Tube (Armaflex)		H91022070	2			
23	WIRE RETAINER		427902-05	4			
24	THERMISTOR HOLDER		375379P01	1			
25	DEFROST HEATER		P05094-01	1			
26	SUPPORT - HEATER		389649M01	2			
27	SCREW - TRUSS		465040-01	4			
28	FUSE		P01103-01	1			
29	CLIP-THERMISTOR		4R2938-01	1			



MODEL: **HF-78MA**

TITLE: **F. LABEL LOCATION(S-28190)**

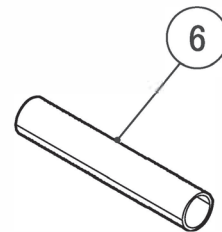
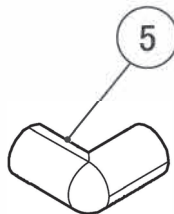
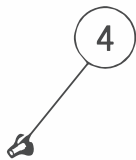
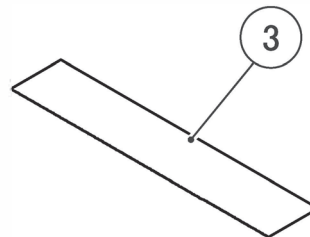
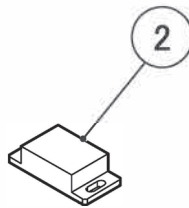
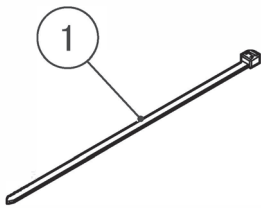
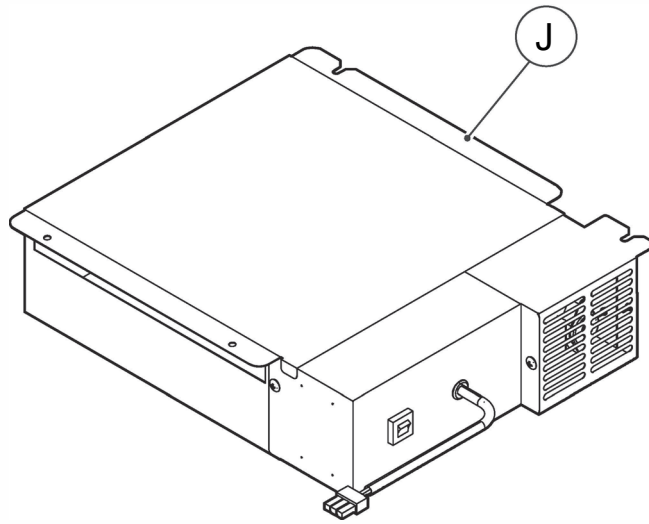
INDEX NO.	DESCRIPTION	MATERIAL OR MODEL NUMBER	PART NUMBER	REQ'D NUMBER		
				J-0 and later		
1	CHARACTER LABEL - PENGUIN		475552L02	1		
2	LABEL - FAN COVER		472775L01	1		
3	LABEL - FREEZER		447056-01	1		



MODEL: **HF-78MA-A**

TITLE: **G. ACCESSORIES**

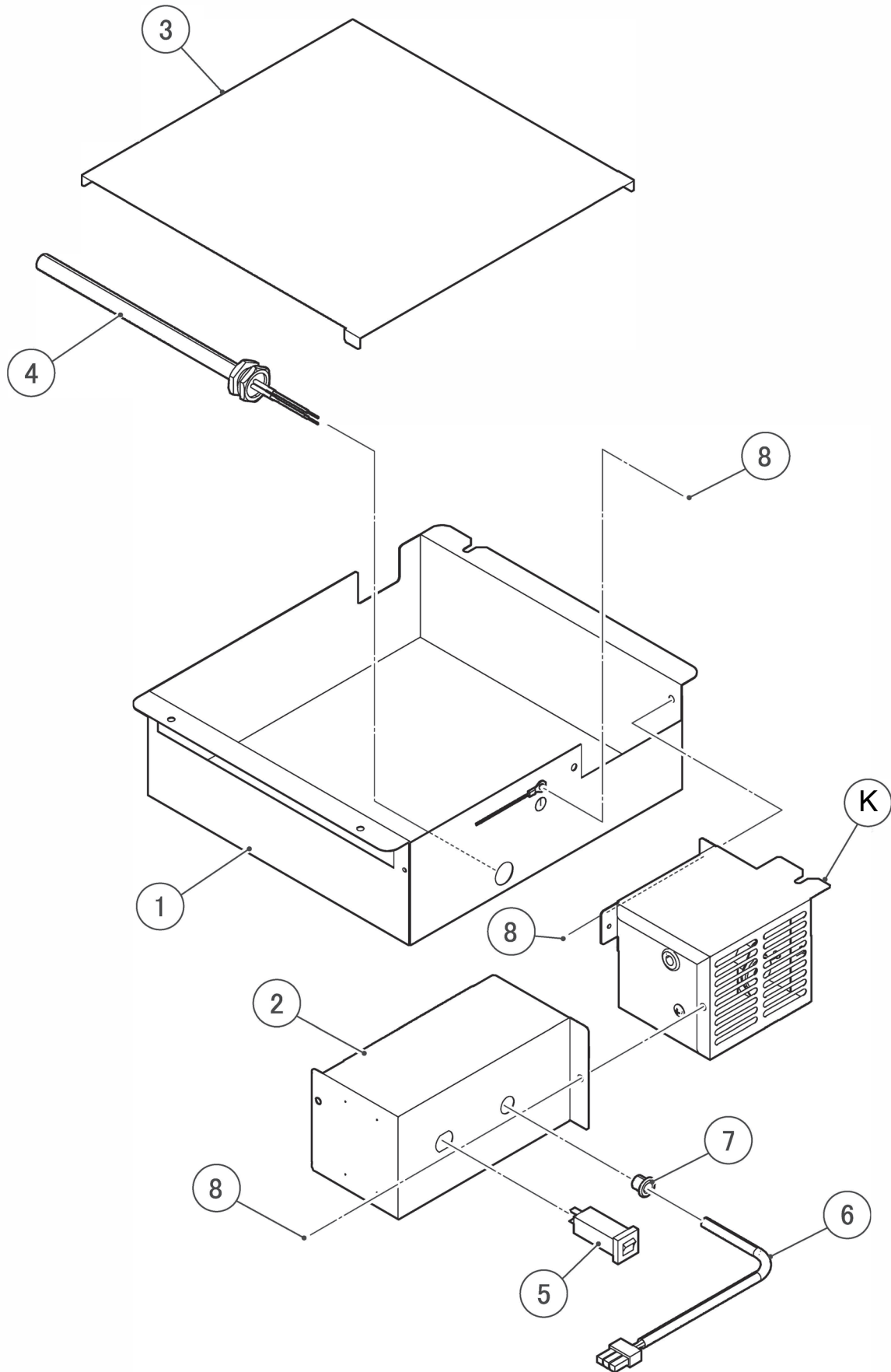
INDEX NO.	DESCRIPTION	MATERIAL OR MODEL NUMBER	PART NUMBER	REQ'D NUMBER			
				J-0 and later			
1	INSTRUCTION MANUAL		L1R590111	1			
2	CLIP-SHELF		428957-01	16			
3	SHELF - 77HD		372087G01	4			
4	SPANNER		471513M01	1			
5	SPACER - CASTER		471512M01	1			
6	INSTRUCTION SHEET - CASTER		377682L01	1			
7	HOLDER - SHELF		4R6243Z01	4			



MODEL: **HF-78MA-A**

TITLE: **H. EVAPORATING PAN SET(S-29687)**

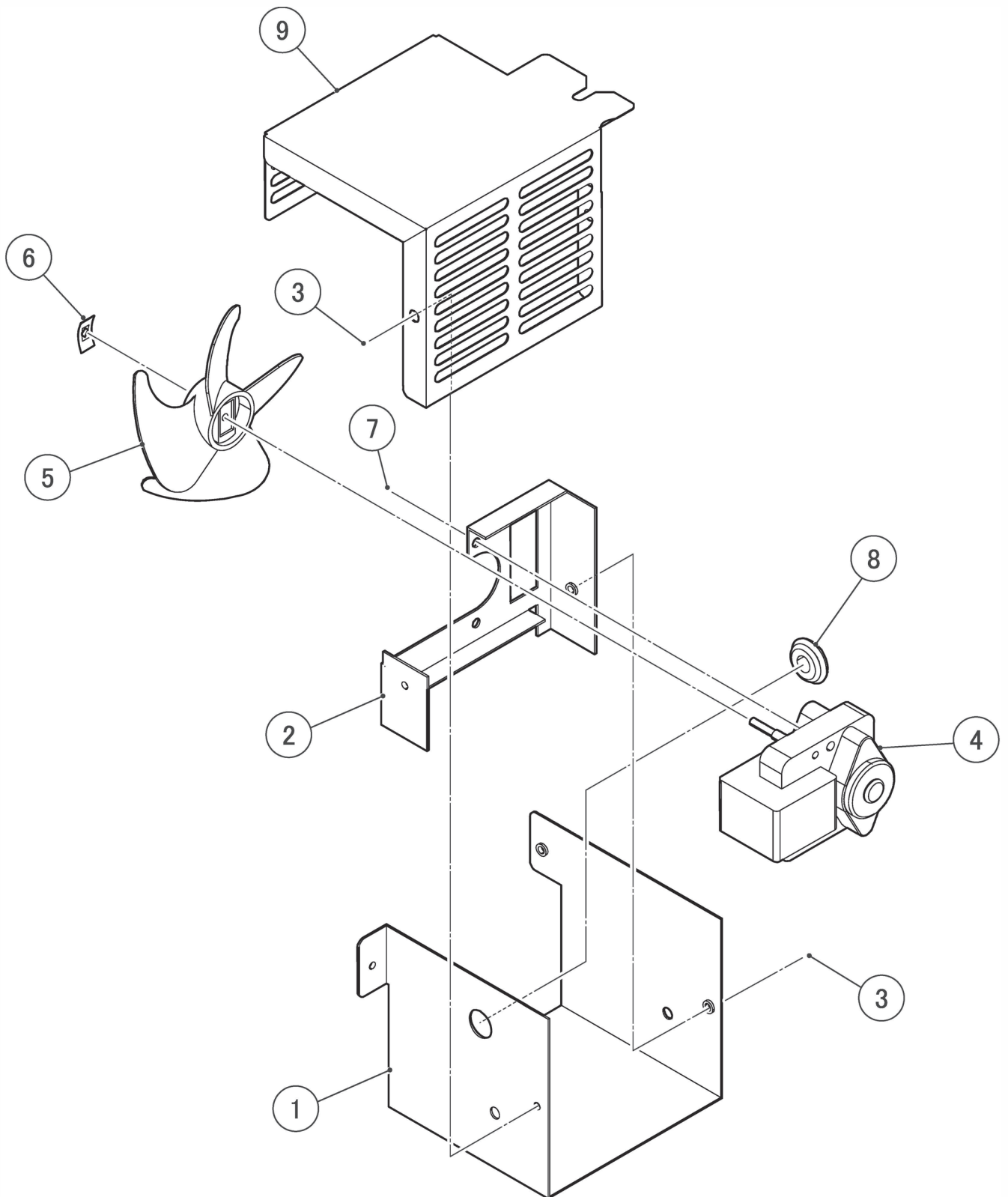
INDEX NO.	DESCRIPTION	MATERIAL OR MODEL NUMBER	PART NUMBER	REQ'D NUMBER			
				J-0 and later			
J	EVAPORATING PAN ASSY		272448A01	1			
1	TIE		7920-0003	3			
2	MAGNET CATCH		416737-01	1			
3	PL LABEL - HEAT		483728L01	1			
4	TRUSS HEAD SCREW		FST0408S0	4			
5	ELBOW - PVC		751VE0013	2			
6	PIPE - EVAPORATING		481553P01	1			



MODEL: **HF-78MA-A**

TITLE: **J. EVAPORATING PAN ASSY**

INDEX NO.	DESCRIPTION	MATERIAL OR MODEL NUMBER	PART NUMBER	REQ'D NUMBER			
				J-0 and later			
K	FAN MOTOR ASSY		385860A01	1			
1	EVAPORATING PAN		272449M01	1			
2	CONTROL BOX		272451M01	1			
3	TOP PANEL		272450M01	1			
4	HEATING ROD		P04610-01	1			
5	PROTECTOR		440972-01	1			
6	WIRE HARNESSA-EVAPORATING PAN		386867Z01	1			
7	BUSHING		428394-02	1			
8	TRUSS HEAD SCREW		FST0408S0	5			



MODEL: **HF-78MA-A**

TITLE: **K. FAN MOTOR ASSY**

INDEX NO.	DESCRIPTION	MATERIAL OR MODEL NUMBER	PART NUMBER	REQ'D NUMBER			
				J-0 and later			
1	BRACKET (A) - FAN MOTOR		272623M01	1			
2	BRACKET (B) - FAN MOTOR		382330M01	1			
3	TRUSS HEAD SCREW		FST0408S0	3			
4	FAN MOTOR		P03987-01	1			
5	FAN		P03323-01	1			
6	SPEED NUT		P03323F01	1			
7	PAN HEAD SCREW SW		FSK0306S0	2			
8	GROMMET		410666-16	1			
9	FAN COVER		386074M01	1			