

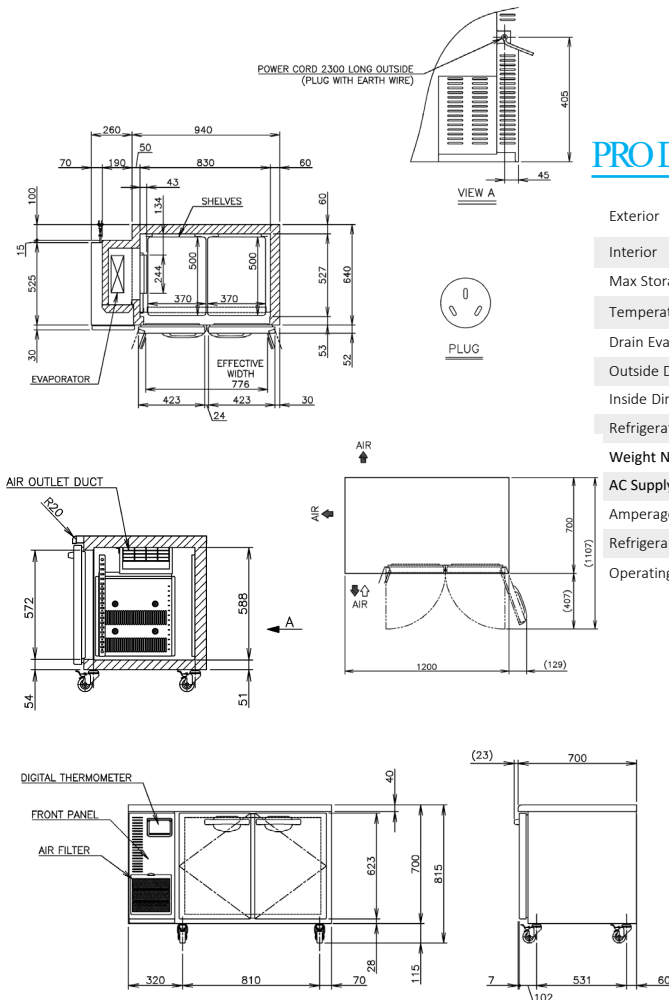


PRODUCT FEATURES

- Stainless steel interior and exterior.
- Programmable Digital controller and display.
- 4 x 1/1 Gastronorm adjustable shelves with rails
- Compact slide out refrigeration unit for quick maintenance.
- 2 years parts and labour warranty.
- Comes standard with 4 x 115mm lockable castors (not legs).
- Optional Adjustable legs 150 – 180mm (Sold separately)



TECHNICAL DRAWING



PRODUCT SPECIFICATION

Exterior	Stainless Steel, Galvanized Steel (Rear /Bottom)
Interior	Stainless Steel, ABS Plastic
Max Storage Capacity	265L
Temperature Control	Microprocessor controlled Adjustable from -25 to -7°C
Drain Evaporator Pan	Fin & Tube type
Outside Dimensions	1200mm (W) x 700mm (D) x 815mm (H)
Inside Dimensions	830mm (W) x 527mm (D) x 588mm (H)
Refrigeration System	Forced Air Circulation
Weight Net	87kg
AC Supply Voltage	1 PHASE 220-240V 50Hz /10amp Plug
Amperage	Rated: 2.5A Starting: 12.6A
Refrigerant	R404A
Operating Conditions	Ambient Temp.: 5-43°C Voltage Range: Rated Voltage ±6%

FACTORY
Parts & Labour
2 YR
Entire Unit
WARRANTY

For free 6 month extended warranty, register online within 4 weeks of purchase date.
hoshizaki.com.au



Descriptions and specifications are subject to change at any time, without notice. Illustrations for demonstration purposes. Copyright © 2023 Hoshizaki Lancer Pty Ltd. All right reserved.