

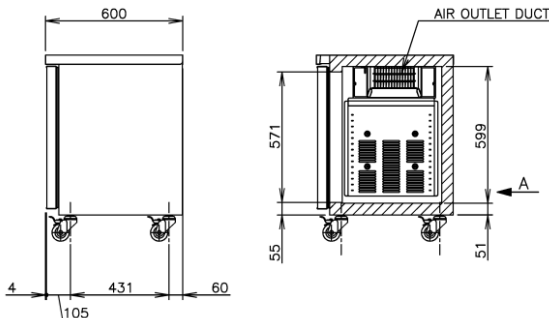
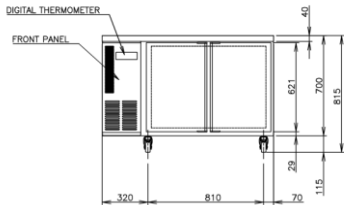
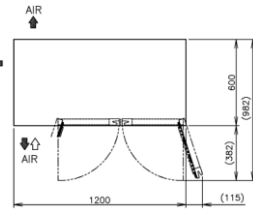
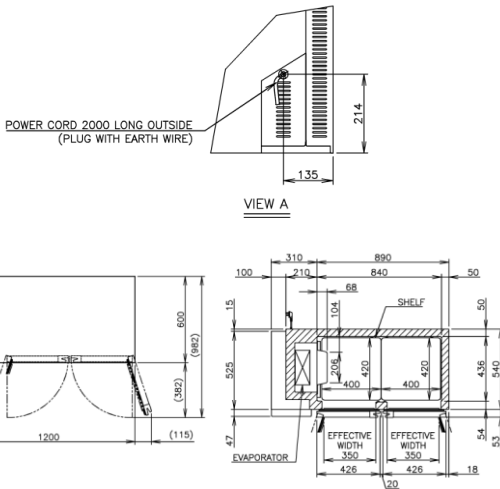


PRODUCT FEATURES

- Complete with stainless steel top.
- Standard with 4 shelves / 2 doors.
- Programmable electronic controller and display.
- 2 years parts and labour warranty.
- Comes standard with 4 x lockable (115 mm) castors (not legs).
- Optional Adjustable legs 150 - 180mm (Sold separately)



TECHNICAL DRAWING



PRODUCT SPECIFICATION

| | |
|------------------------|---|
| Interior | Stainless Steel, ABS Plastic (Doors) |
| Exterior | Stainless steel, Galvanized Steel (Rear/Bottom), ABS plastic (Top & Bottom on Door) |
| Max Storage Capacity | 231L |
| Temperature Control | Microprocessor controlled Adjustable from -23 to -7°C |
| Evaporator | Fin & Tube type |
| Outside Dimensions | 1200mm (W) x 600mm (D) x 815mm (H) |
| Inside Dimensions | 840mm (W) x 436mm (D) x 599mm (H) |
| Refrigeration System | Forced Air Circulation |
| Weight Net/ Gross (kg) | 72 / 77 |
| AC Supply Voltage | 1 PHASE 220-240V 50Hz/10amp Plug |
| Amperage | Rated: 2.6A |
| Refrigerant | R404A |
| Operating Conditions | Ambient Temp.: 5-43°C Voltage Range: Rated Voltage ±6% |



For free 12 month extended warranty, register online within 4 weeks of purchase date.
hoshizaki.com.au

