



SELF-CONTAINED FLAKER

FM-480AKE(-SB)
FM-480AKE-N(-SB)
FM-480AKE-SB(HS)
FM-480AKE-N-SB(HS)

PARTS LIST

[HE]

F082,
F082-C101, F082-C106, F082-C107,
F082-C130, F082-C131, F082-C161,
F082-C162, F082-C170, F082-C171

B-1 APR. 2012
C-0 JAN. 2013
D-0 JAN. 2014
D-1 JAN. 2014
E-0 JAN. 2015
E-2 SEP. 2015
H-1 JAN. 2018
H-2 MAR.2018
H-3 JUL. 2018
H-5 DEC. 2018

List of Specifications

FM-480AKE	F082	50Hz
	F082-C130	60Hz
	F082-C161	1φ/220V/60Hz
	F082-C162	1φ/220V/60Hz, Nugget type
FM-480AKE-SB	F082-C101	50Hz, Chasiss : SUS304
FM-480AKE-N	F082-C106	50Hz, Nugget type
	F082-C131	60Hz, Nugget type
FM-480AKE-N-SB	F082-C107	50Hz, Nugget type, Chasiss : SUS304
FM-480AKE-SB(HS)	F082-C170	Chasiss : SUS304
FM-480AKE-N-SB(HS)	F082-C171	Nugget type, Chasiss : SUS304

Auxiliary Codes

Auxiliary Code Breakdown

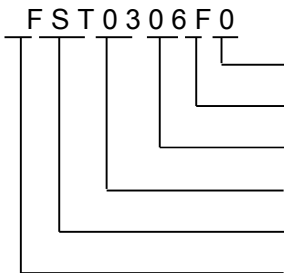
The auxiliary code is the first two characters in the serial number. The first character indicates the year. Years progress or regress in alphabetical order. The series runs from "A" through "V" and the letters "I" and "O" are skipped. The second character indicates significant part changes within a year. Base is "0" and this number advances for each change. In cases where there is a letter in parentheses, this designates the month. This is the last character in the serial number. The series runs from "(A)" through "(M)" and the letter "(I)" is skipped. This designation is only included when identifying a parts change within an auxiliary code.

Note About Ordering Parts

Most assemblies cannot be ordered as complete units; parts in the assemblies generally must be ordered separately.

FASTENER PART NUMBER

SCREWS

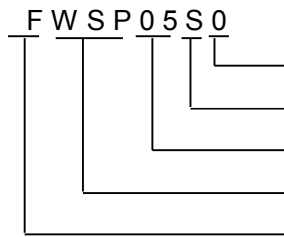


- Special treatment (0 - 9)
- Material *1
- Length (mm)
- Nominal diameter (mm)
- Description *2
- Fastener

*1 Material

- F: Steel
- S: Austenitic stainless steel
- M: Martensitic stainless steel
- B: Copper alloy
- P: Polycarbonate
- N: Polyamide
- V: PVC
- A: ABS
- X: Polyacetal
- L: Aluminum

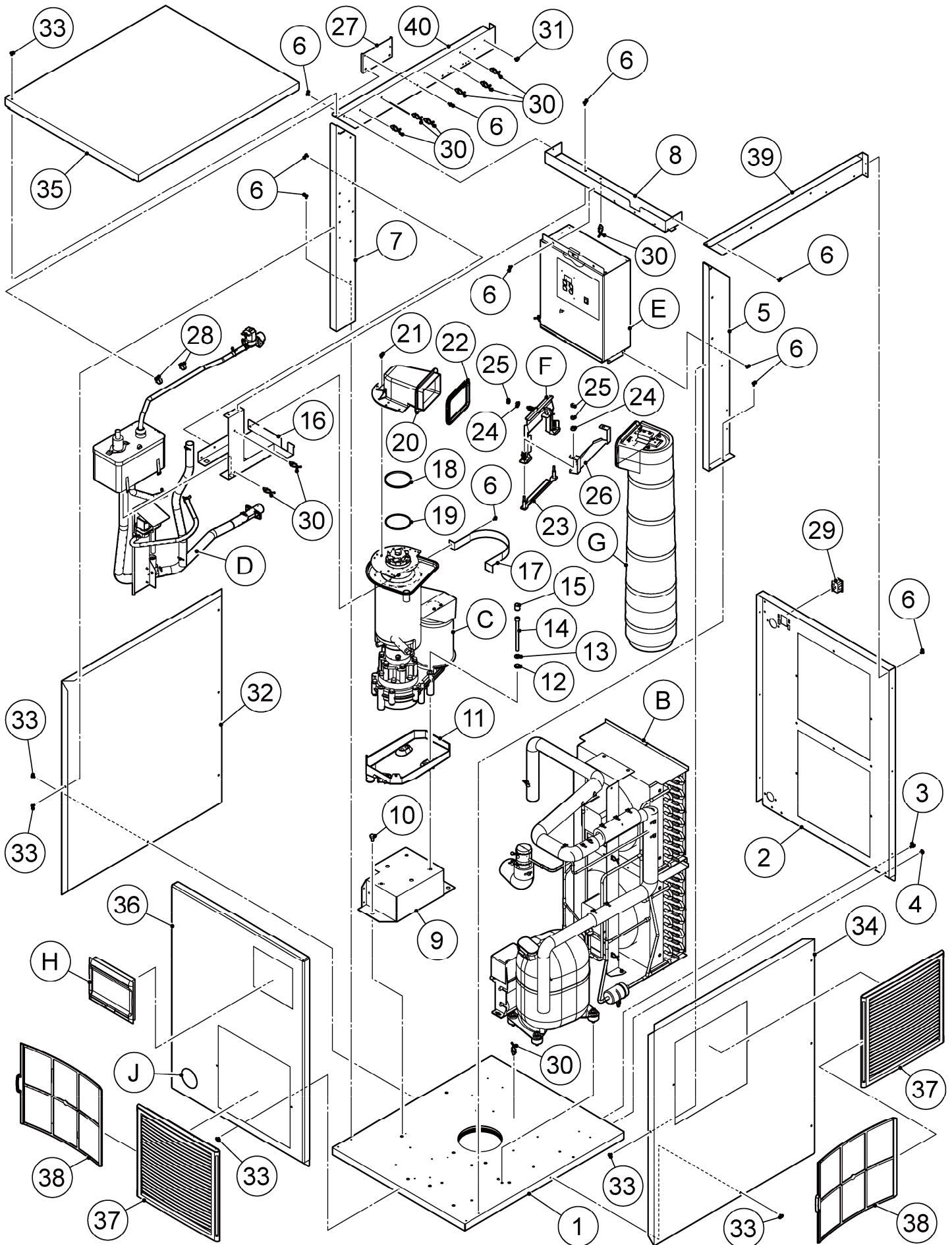
NUTS & WASHERS

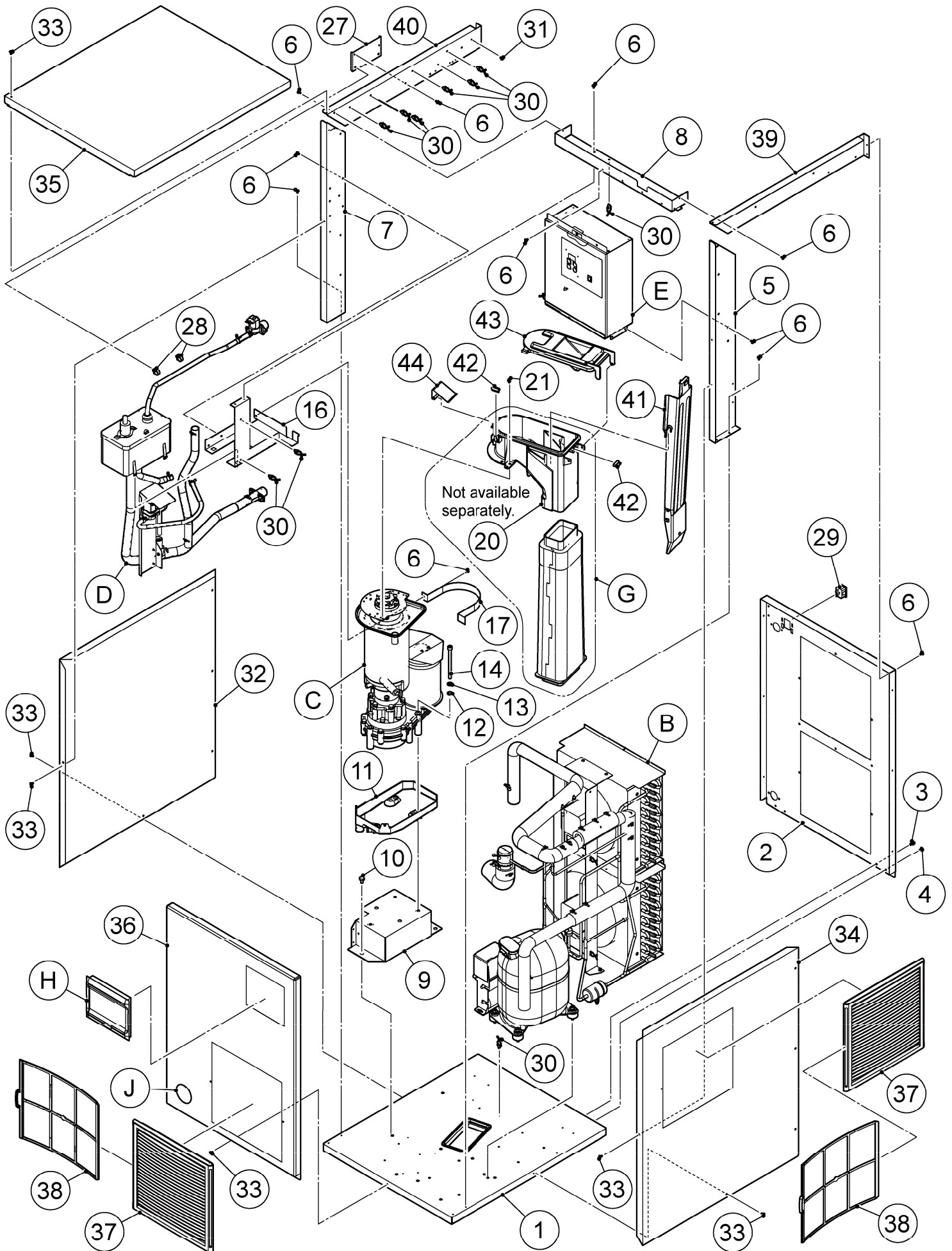


- Special treatment (0 - 9)
- Material *1
- Nominal diameter (mm)
- Description *2
- Fastener

*2 Description

- First letter
- S: Machine screw
- T: Tapping screw
- M: Wood screw
- B: Bolt
- W: Washer
- N: Nut

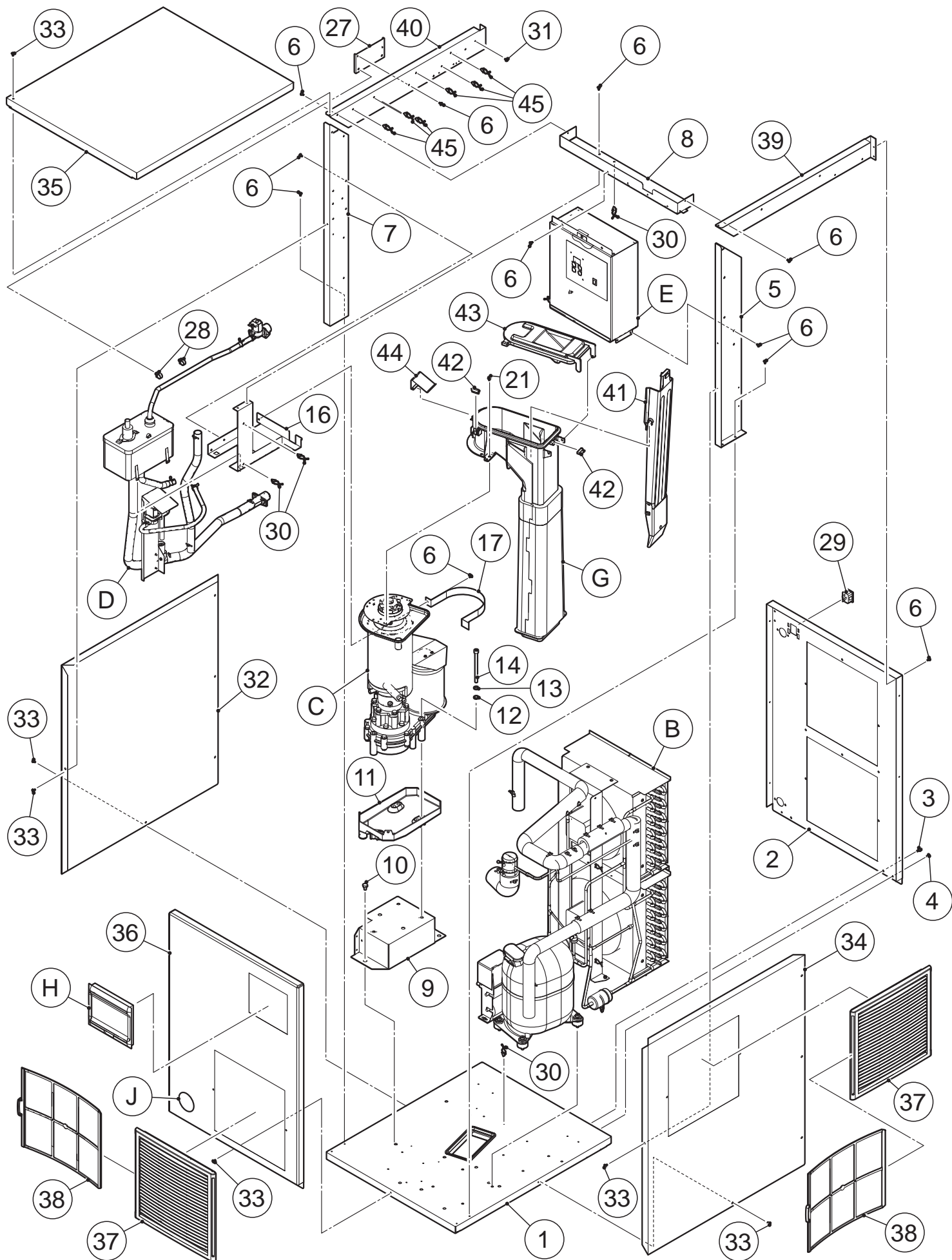




FM-480AKE (-SB)
FM-480AKE-N (-SB)

A. ICE FLAKER ASSY

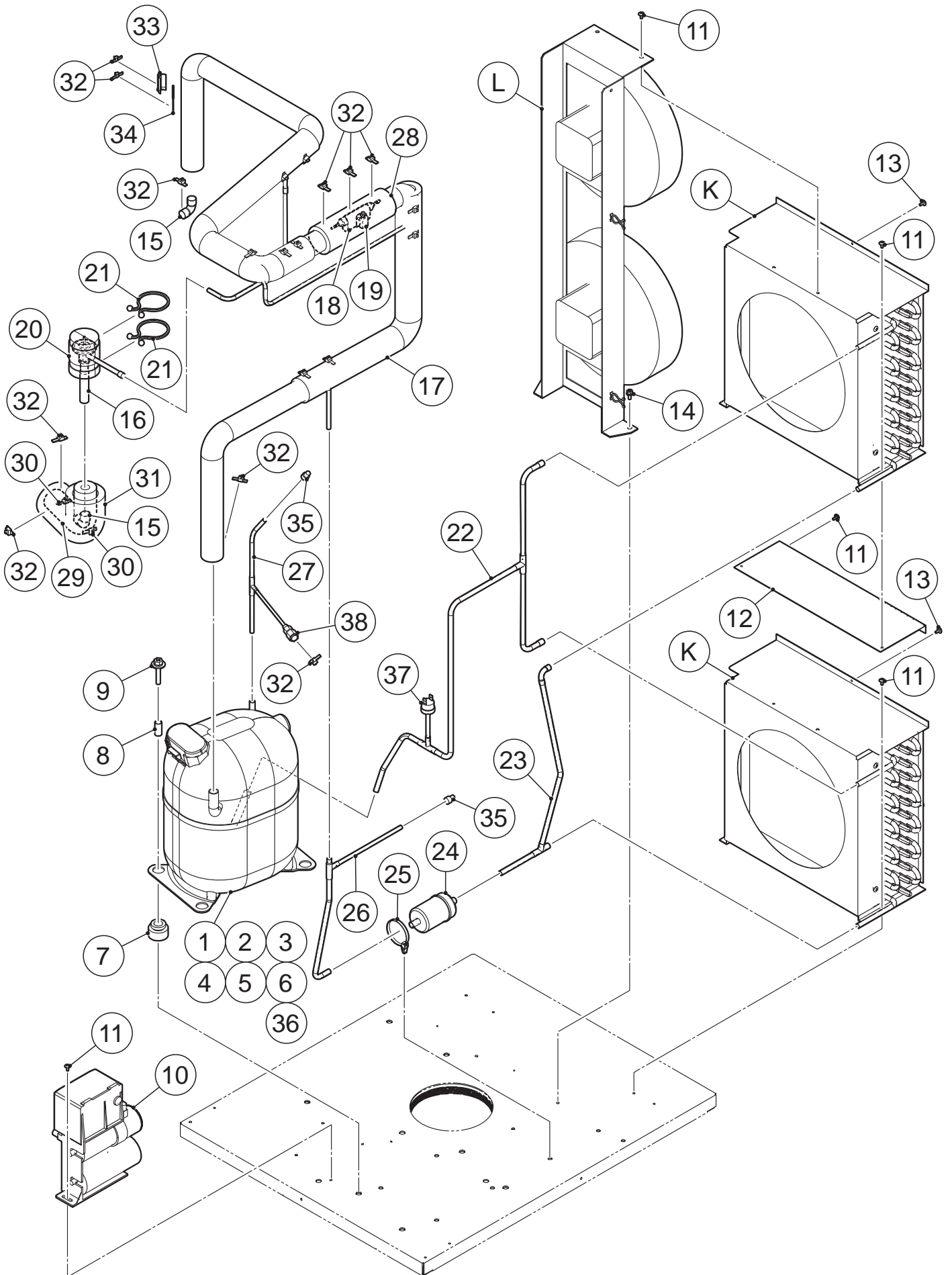
(E-2) and later



MODEL: FM-480AKE (-SB)		TITLE: A. ICE FLAKER ASSY					
FM-480AKE-N (-SB)							
INDEX NO.	DESCRIPTION	MATERIAL OR MODEL NUMBER	PART NUMBER	REQ'D NUMBER			
				B-1 D-0	D-1 E-1	E-2 H-0	H-1 and later
B	REFRIGERATION CIRCUIT		121829A01	1	-	-	-
			122468A01	-	1	1	1
		60Hz F082-C130, F082-C131, F082-C161, F082-C162	121829001	1	-	-	-
			122468001	-	1	1	1
C	ICE MAKING UNIT		261985A01	1	-	-	-
			264097A01	-	1	1	1
		NUGGET F082-C106, F082-C131, F082-C162, F082-C171	261985A04	1	-	-	-
			264097A08	-	1	1	1
		NUGGET, SUS304 F082-C107		-	1	1	1
		NUGGET, SUS304 F082-C107		-	1	1	1
D	WATER CIRCUIT		121788A01	1	-	-	-
			122466A01	-	1	1	1
		F082-C170, F082-C171	122466A02	-	-	-	1
E	CONTROL BOX ASSY		262070A02	1	1	1	1
F	BAND ASSY		S-9165	1	-	-	-
G	CHUTE ASSY		113006A01	1	-	-	-
		Integrated with 20.SPOUT - 70 Not available separately. Order G.SPOUT ASSY - CHUTE 70 (268065A02)		-	1	-	-
	SPOUT ASSY - CHUTE 70		268065A02	-	-	1	1
H	WINDW PANEL ASSY		348243A03	1	1	1	1
J	LABEL LOCATION		262072A03	1	1	1	1
		NUGGET F082-C106	262072A04	1	1	1	1
		60Hz F082-C130	262072A05	1	1	1	1
		60Hz, NUGGET F082-C131	262072A06	1	1	1	1
		1φ/220V/60Hz F082-C161	262072A07	1	1	1	1
		1φ/220V/60Hz, NUGGET F082-C162	262072A08	1	1	1	1
		F082-C170	262072009	-	-	-	1
		F082-C171	262072010	-	-	-	1
M	ACCESSORIES		A02525-01	1	1	1	1
		F082-C161, F082-C162	A02525002	1	1	1	1

MODEL: FM-480AKE (-SB)		TITLE: A. ICE FLAKER ASSY					
FM-480AKE-N (-SB)							
INDEX NO.	DESCRIPTION	MATERIAL OR MODEL NUMBER	PART NUMBER	REQ'D NUMBER			
				B-1 D-0	D-1 E-1	E-2 H-0	H-1 and later
1	CHASSIS		262080G01	1	-	-	-
			264141G01	-	1	1	1
			SUS304 F082-C101, F082-C107	266082G01	-	1	1
2	REAR PANEL		121828M01	1	1	1	1
3	HEX HEAD BOLT (SPRING WASHER AND FLAT WASHER)		FBK0512S0	2	2	2	2
4	T2 TRUSS HEAD SCREW		FT20408F0	2	2	2	2
5	SIDE FRAME (R1)		264212M01	1	1	1	1
6	TRUSS HEAD MACHINE SCREW		FST0408F0	23	23	23	23
7	SIDE FRAME (L1)		264214M01	1	1	1	1
8	FRONT FRAME		261984M01	1	1	1	1
9	BRACKET - GEAR MOTOR		373520G01	1	-	-	-
			374371G01	-	1	1	1
10	HEX HEAD BOLT		FBH0812S0	3	3	3	3
11	DRAIN PAN		261640P01	1	1	1	1
12	SEAL WASHER		458299-01	3	3	3	3
13	SPRING WASHER		FWSP08S0	3	3	3	3
14	HEXAGON SOCKET HEAD CAP SCREW		461285-01	3	3	3	3
15	VINYL CAP		451272-01	3	-	-	-
16	BRACKET-RESERVOIR		261986M01	1	-	-	-
			264139M01	-	1	1	1
17	BAND		475195M01	1	1	1	1
18	RING		432661-02	1	-	-	-
19	O - RING		7616-G070	1	-	-	-
20	SPOUT		104797-01	1	-	-	-
	SPOUT - 70	Integrated with CHUTE Not available separately. Order SPOUT - CHUTE 70 (268064G02)		-	1	-	-
21	HEX HEAD BOLT (SPRING WASHER AND FLAT WASHER)		FBK0408S0	3	-	-	-
			FBK0412S0	-	3	3	3
22	PACKING		454256-01	1	-	-	-
23	BAND (B)		459995G01	1	-	-	-
24	FLANGE NUT		FNHF06S0	3	-	-	-
25	NUT		FNH106F0	5	-	-	-

MODEL: FM-480AKE (-SB)		TITLE: A. ICE FLAKER ASSY					
FM-480AKE-N (-SB)							
INDEX NO.	DESCRIPTION	MATERIAL OR MODEL NUMBER	PART NUMBER	REQ'D NUMBER			
				B-1 D-0	D-1 E-1	E-2 H-0	H-1 and later
26	DRIP GUIDE		350725-01	1	-	-	-
27	BRACKET - WATER SUPPLY		476650M01	1	1	1	1
28	CLAMP		428644-03	2	2	2	2
29	CONNECTOR		P00246-01	1	1	1	1
30	CLAMP		427902-03	10	10	4	4
31	PAN HEAD SCREW SW		FSK0408S0	1	1	1	1
32	SIDE PANEL (L)		261989M01	1	1	1	1
33	TRUSS HEAD SCREW		FST0408S0	12	12	12	12
34	SIDE PANEL (R)		263238M01	1	1	1	1
35	TOP PANEL		261991M01	1	1	1	1
36	FRONT PANEL (A)		122243G01	1	1	1	1
37	LOUVER		121931P01	2	2	2	2
38	AIR FILTER		262259G01	2	2	2	2
39	SIDE FRAME (R2)		264213M01	1	1	1	1
40	SIDE FRAME (L2)		264215M01	1	1	1	1
41	ACTUATOR		382184G02	-	1	1	1
		NUGGET F082-C106, F082-C107 F082-C131, F082-C162 F082-C171	382184G01	-	1	1	1
42	REED SWITCH		P02940-01	-	2	2	2
43	SPOUT COVER - 70		263887G01	-	1	1	1
44	SPRING - SPOUT		478013M01	-	1	1	1
45	CLAMP		427902-02	-	-	6	6



MODEL: FM-480AKE (-SB)

TITLE: B. REFRIGERATION CIRCUIT

FM-480AKE-N (-SB)

INDEX NO.	DESCRIPTION	MATERIAL OR MODEL NUMBER	PART NUMBER	REQ'D NUMBER				
				B-1 D-0	D-1 E-1	E-2 H-0	H-1 and later	
K	CONDENSER ASSY		376368A01	2	2	2	2	
L	FAN MOTOR ASSY		376377A01	1	1	1	1	
1	COMPRESSOR	50Hz	P02532-01	1	1	1	1	
		60Hz F082-C130, F082-C131, F082-C161, F082-C162 REFER TO SERVICE INFORMATION GT-	P04891-01	1	1	1	1	
2	RELAYS COVER GASKET		P02535-01	1	1	1	1	
3	METRIC SCREW		P02657-01	1	1	1	1	
4	PROTECTOR	50Hz	P02534-01	1	1	1	1	
5	TERMINAL COVER		P02536-01	1	1	1	1	
6	OVERLOAD PROTECTORS SPRING	F082,F082-C101, F082-C106,F082-C107	P02565-01	1	1	1	1	
7	GROMMET		P00846-01	4	4	4	4	
8	SPACER		P00847-01	4	4	4	4	
9	BOLT		436206-04	4	4	4	4	
10	BOX WITH ELECTRICAL COMPONENTS	50Hz	P02533-01	1	1	1	1	
		60Hz F082-C130, F082-C131, F082-C161, F082-C162 REFER TO SERVICE INFORMATION GT-	P04890-01	1	1	1	1	
11	TRUSS HEAD SCREW		FST0408F0	10	10	10	10	
12	BRACKET(R)- CONDENSER		476688M01	1	1	1	1	
13	TRUSS HEAD TAPPING SCREW T2	50Hz	FT20406F0	6	-	-	-	
	T2 TRUSS HEAD SCREW		FT20408F0	-	6	6	6	
		60Hz F082-C130, F082-C131		6	6	6	6	
14	HEX HEAD BOLT (SPRING WASHER AND FLAT WASHER)		FBK0512S0	2	2	2	2	
15	ELBOW		417395-03	2	2	2	2	
16	EXPANSION VALVE		453008-01	1	1	1	1	
17	HEAT EXCHANGER		121838G01	1	-	-	-	
			122469G01	-	1	1	1	
18	HOLDER - EXP. VALVE 1/2		3A0112-01	1	1	1	1	
19	CLAMP		443461-01	1	1	1	1	
20	VALVE COVER		3Y3196P01	1	1	1	1	
21	CLAMP		P00752-01	2	2	2	2	
22	COPPRETUBE (H1)		376378G01	1	1	1	1	
23	COPEERTUBE (H2)		376379G01	1	1	1	1	

MODEL: FM-480AKE (-SB)

TITLE: B. REFRIGERATION CIRCUIT

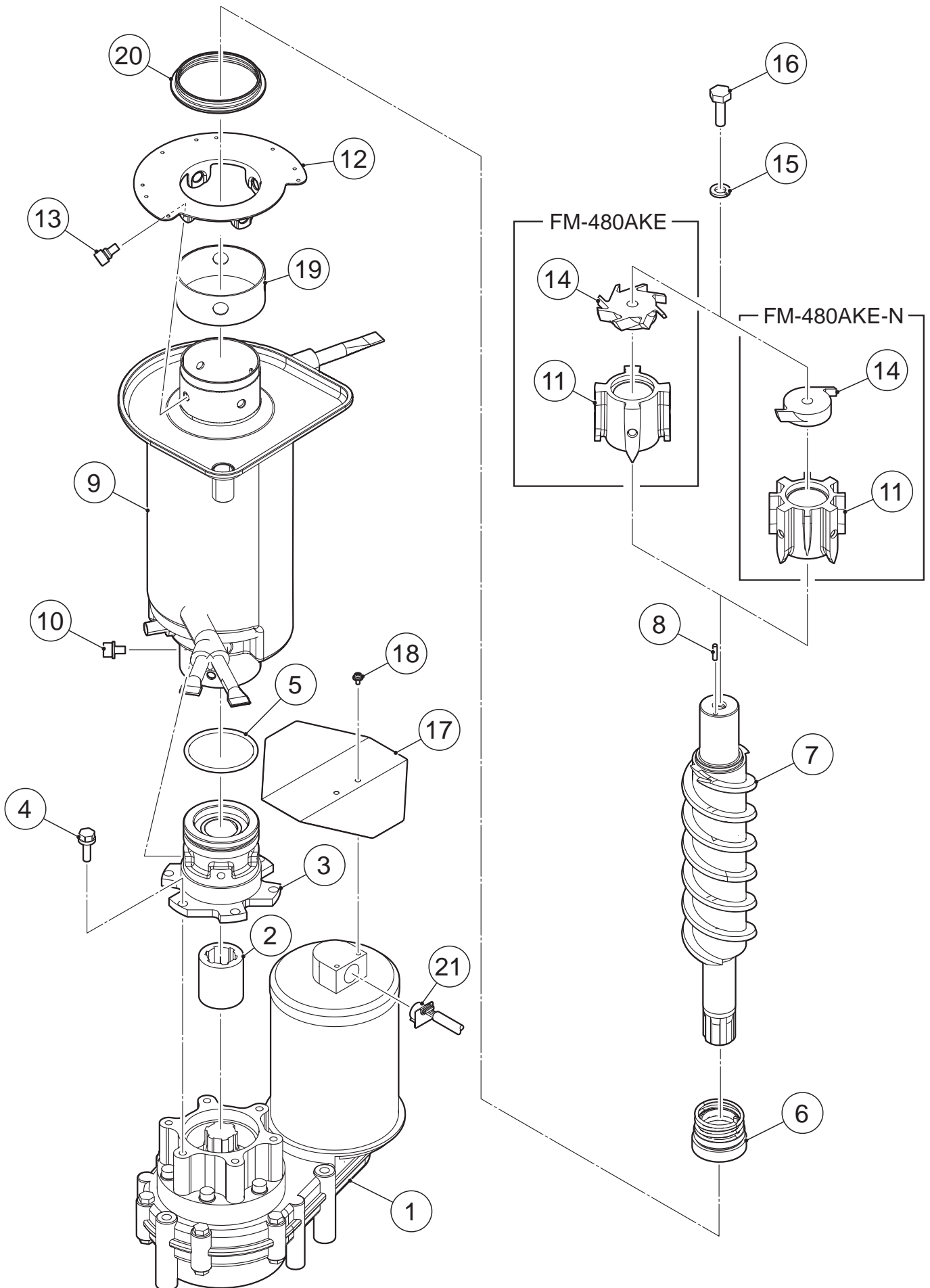
FM-480AKE-N (-SB)

INDEX NO.	DESCRIPTION	MATERIAL OR MODEL NUMBER	PART NUMBER	REQ'D NUMBER				
				B-1 D-0	D-1 E-1	E-2 H-0	H-1 and later	
24	DRIER		462965-01	1	1	1	1	
25	TIE		436156-02	1	1	1	1	
26	COPEERTUBE (H3)		376380G01	1	1	1	1	
27	COPPER TUBE - ACCESS VALVE		476690G01	1	1	1	1	
28	INSULATION TUBE		H74262B15	1	1	1	1	
29	INSULATION TUBE		H71333B35	1	1	1	1	
30	TIE	CV-150	7920-0003	4	4	4	4	
31	INSULATION TUBE		H73858B28	1	1	1	1	
32	NYLON TIE	CV-200	7920-0010	8	8	8	8	
33	HOLDER - THERMISTOR		427430-01	1	1	1	1	
34	THERMISTOR ASSY		475407G01	1	1	1	1	
35	LOCKRING STOPPER		P01677-01	2	2	2	2	
36	RELAYS FIXING CLIP		P02566-01	1	1	1	1	
37	PRESSURE SWITCH	COPPRETUBE (H1) 376378G01	459863-06	1	1	1	1	
38	ACCESS VALVE	COPPER TUBE - ACCESS VALVE 476690G01	455119-01	1	1	1	1	

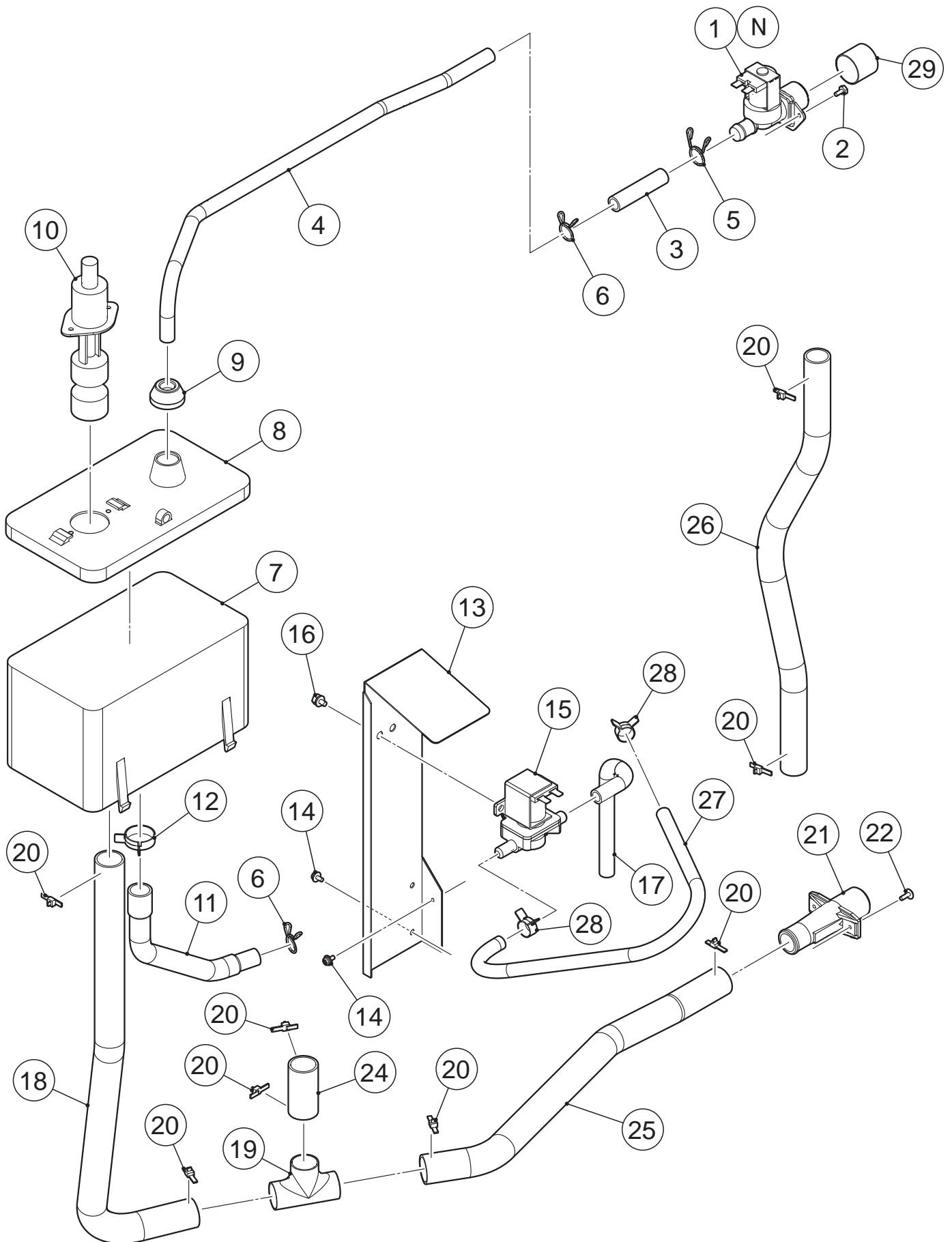
FM-480AKE (-SB)
FM-480AKE-N (-SB)

C. ICE MAKING UNIT

(B-1) and later



MODEL: FM-480AKE (-SB)		TITLE: C. ICE MAKING UNIT							
FM-480AKE-N (-SB)									
INDEX NO.	DESCRIPTION	MATERIAL OR MODEL NUMBER	PART NUMBER	REQ'D NUMBER					
				B-1 D-0	D-1 E-1	E-2 H-0	H-1 H-2	H-3 H-4	H-5 and later
1	GEAR MOTOR		466223-01	1	1	1	1	1	1
2	COUPLING		414137-01	1	1	1	1	1	1
3	BEARING (LOWER)		206657G02	1	1	1	1	1	1
4	HEX.HEAD BOLT W/WASHER (SW)		461888-01	6	6	6	6	6	6
5	O - RING		7616-G065	1	1	1	1	1	1
6	MECHANICAL SEAL		432492-02	1	1	1	1	1	1
7	AUGER		120863G02	1	1	1	1	1	1
8	PIN		713S-0416	1	1	1	1	1	1
9	EVAPORATOR		258997G01	1	1	1	1	1	-
			275065G01	-	-	-	-	-	1
10	SCREW		P01719-01	4	4	4	4	4	4
11	EXTRUDING HEAD-70F		327097G04	1	1	1	1	-	-
			327097G07	-	-	-	-	1	1
	EXTRUDING HEAD-70N	F082-C106, F082-C107 F082-C131, F082-C162 F082-C171	216531G02	1	1	1	-	-	-
			216531G05	-	-	-	1	1	1
12	FLANGE - 70		476246G02	1	-	-	-	-	-
			372207M01	-	1	1	1	1	-
			387431M01	-	-	-	-	-	1
13	SEAL BOLT - M8		P01768-01	4	4	4	4	4	4
14	CUTTER		317071-02	1	1	1	1	1	1
		F082-C106, F082-C107 F082-C131, F082-C162 F082-C171	327145-01	1	1	1	1	1	1
15	SPRING WASHER		FWSP10S0	1	1	1	1	1	1
16	SCREW - BOLT		458101-01	1	1	1	1	1	1
17	COVER - GEAR MOTOR		466374-01	1	1	1	1	1	1
18	PAN HEAD SCREW SW		FSK0408S0	2	2	2	2	2	2
19	BELT HEATER	F082-C106, F082-C107 F082-C131, F082-C162 F082-C171	P03243-01	1	1	1	1	1	1
20	PACKING - SPOUT		473494R01	-	1	1	1	1	1
21	ROTATION SENSOR	GEAR MOTOR ACCESSORY	459861-03	1	1	1	1	1	1

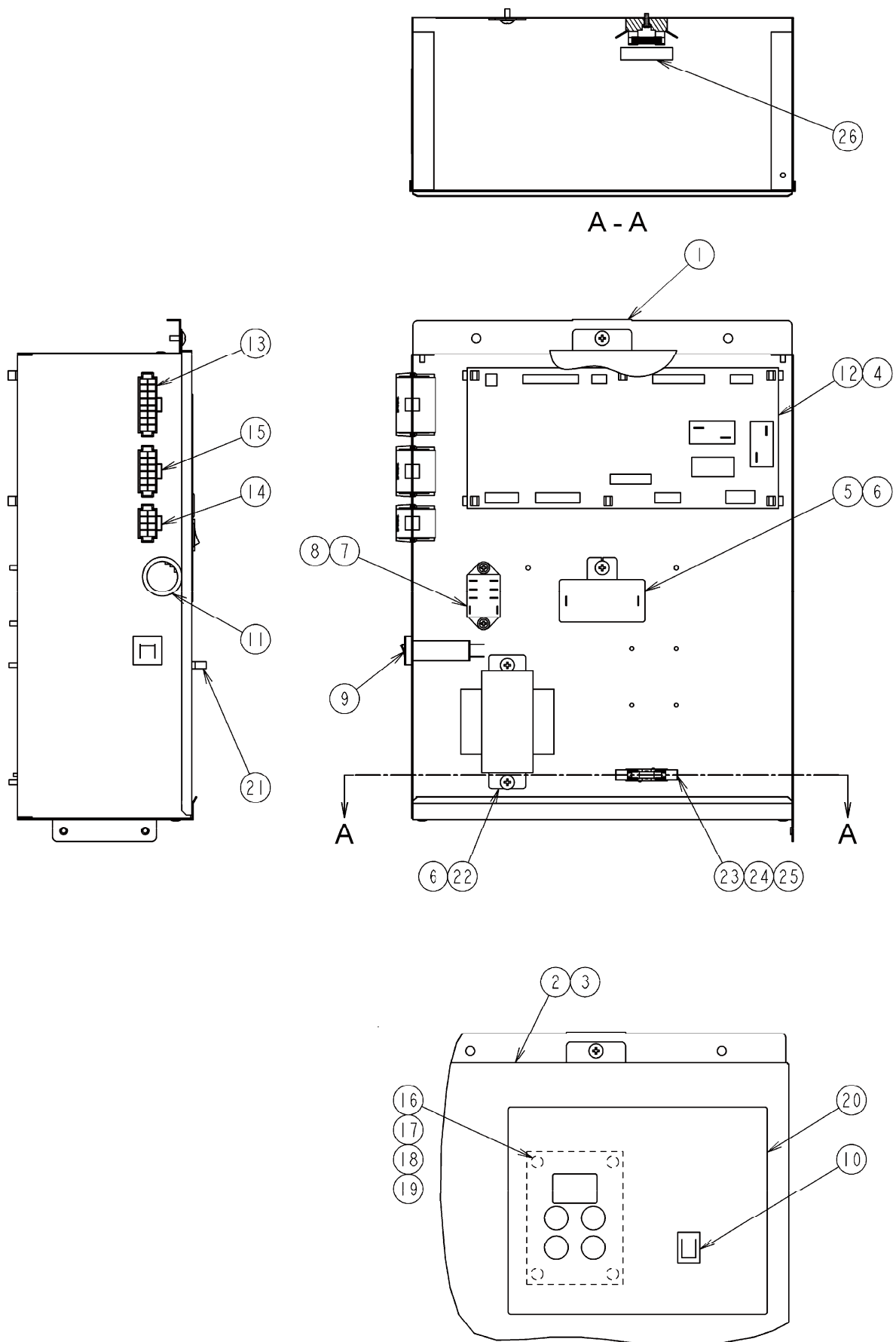


MODEL: FM-480AKE (-SB)

TITLE: D. WATER CIRCUIT

FM-480AKE-N (-SB)

INDEX NO.	DESCRIPTION	MATERIAL OR MODEL NUMBER	PART NUMBER	REQ'D NUMBER			
				B-1 D-0	D-1 E-1	E-2 H-0	H-1 and later
N	WATER VALVE ASSY	F082-C170,F082-C171	484534A01	-	-	-	1
1	WATER VALVE		452993-01	1	1	1	1
2	HEX HEAD BOLT		FBH0408S0	2	2	2	2
3	SILICONE HOSE		4Y6912R06	1	1	1	1
4	PIPE - WATER SUPPLY		376329M01	1	1	1	1
5	HOSE CLAMP		435934-03	1	1	1	1
6	HOSE CLAMP		435934-02	2	2	2	2
7	RESERVOIR		232626-01	1	1	1	1
8	COVER - RESERVOIR		232627-01	1	1	1	1
9	COVER - RESERVOIR INLET		415094-01	1	1	1	1
10	FLOAT SWITCH		458279-01	1	1	1	1
11	HOSE		372321R01	1	1	1	1
12	CLIP BAND		423866-08	1	1	1	1
13	BRACKET - VALVE		373530M01	1	1	1	1
14	PAN HEAD MACHINE SCREW (SPRING WASHER AND FLAT		FSK0408F0	3	3	3	3
15	WATER VALVE		468655-01	1	1	1	1
16	HEX HEAD BOLT (SPRING WASHER AND FLAT WASHER)		FBK0508F0	2	2	2	2
17	DRAIN HOSE (B)		459329-01	1	1	1	1
18	PVC Hose - FSA		HD2226520	1	-	-	-
			HD2226500	-	1	1	1
19	TEE		120228M01	1	1	1	1
20	TIE		7920-0003	8	8	8	8
21	DRAIN PIPE		321035-01	1	1	1	1
22	TRUSS HEAD TAPPING SCREW T2		FT20410S0	2	2	2	2
24	PVC Hose - FSA		HD2226050	1	-	-	-
			HD2226045	-	1	1	1
25	PVC Hose - FSA		HD2226400	1	1	1	1
26	PVC Hose (Food Grade)		HD1923460	1	1	1	1
27	PVC Hose - FSA		HD0912450	1	1	1	1
28	CLAMP		423866-03	2	2	2	2
29	CAP		417323-01	1	1	1	1

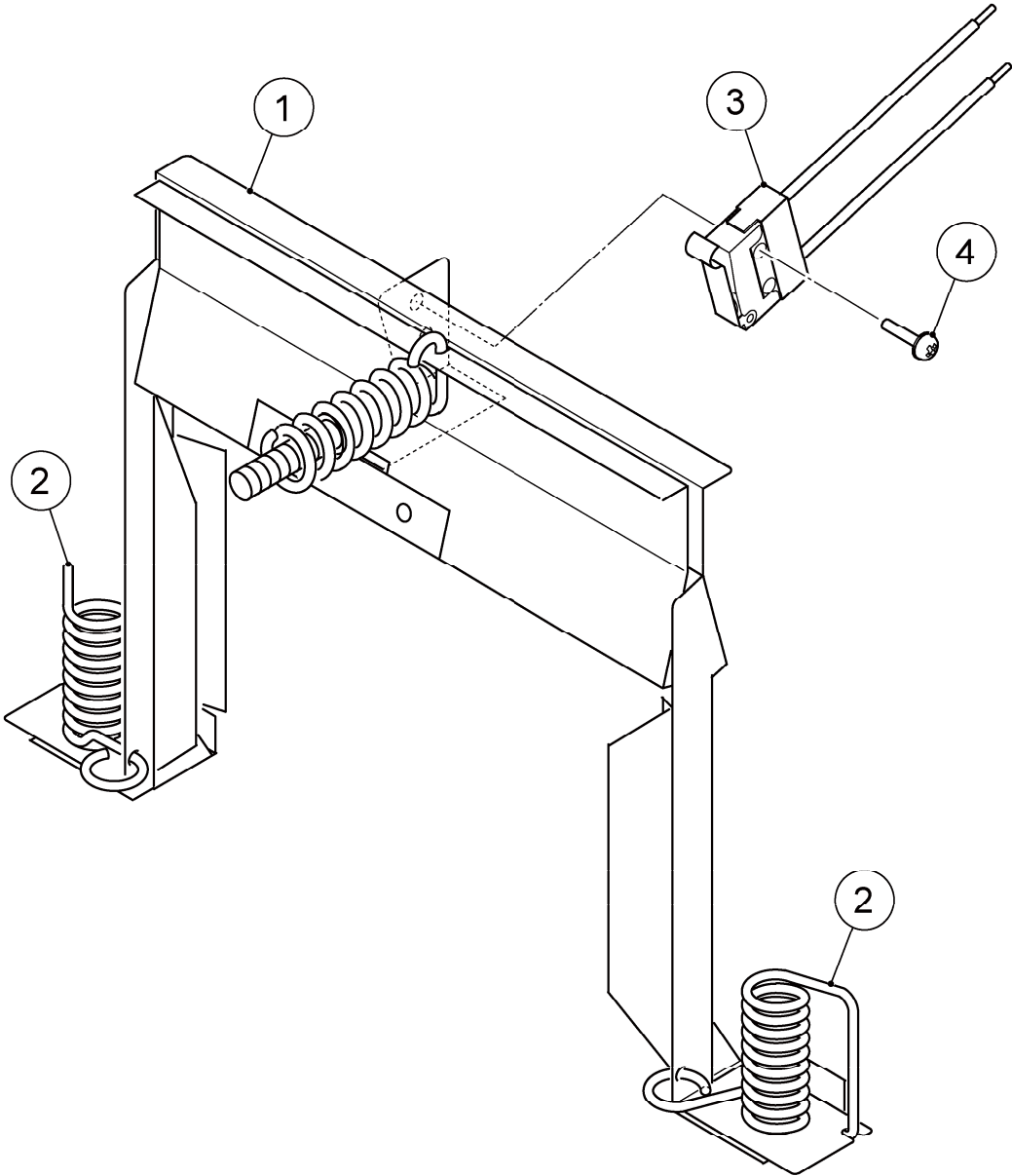


MODEL: FM-480AKE (-SB)

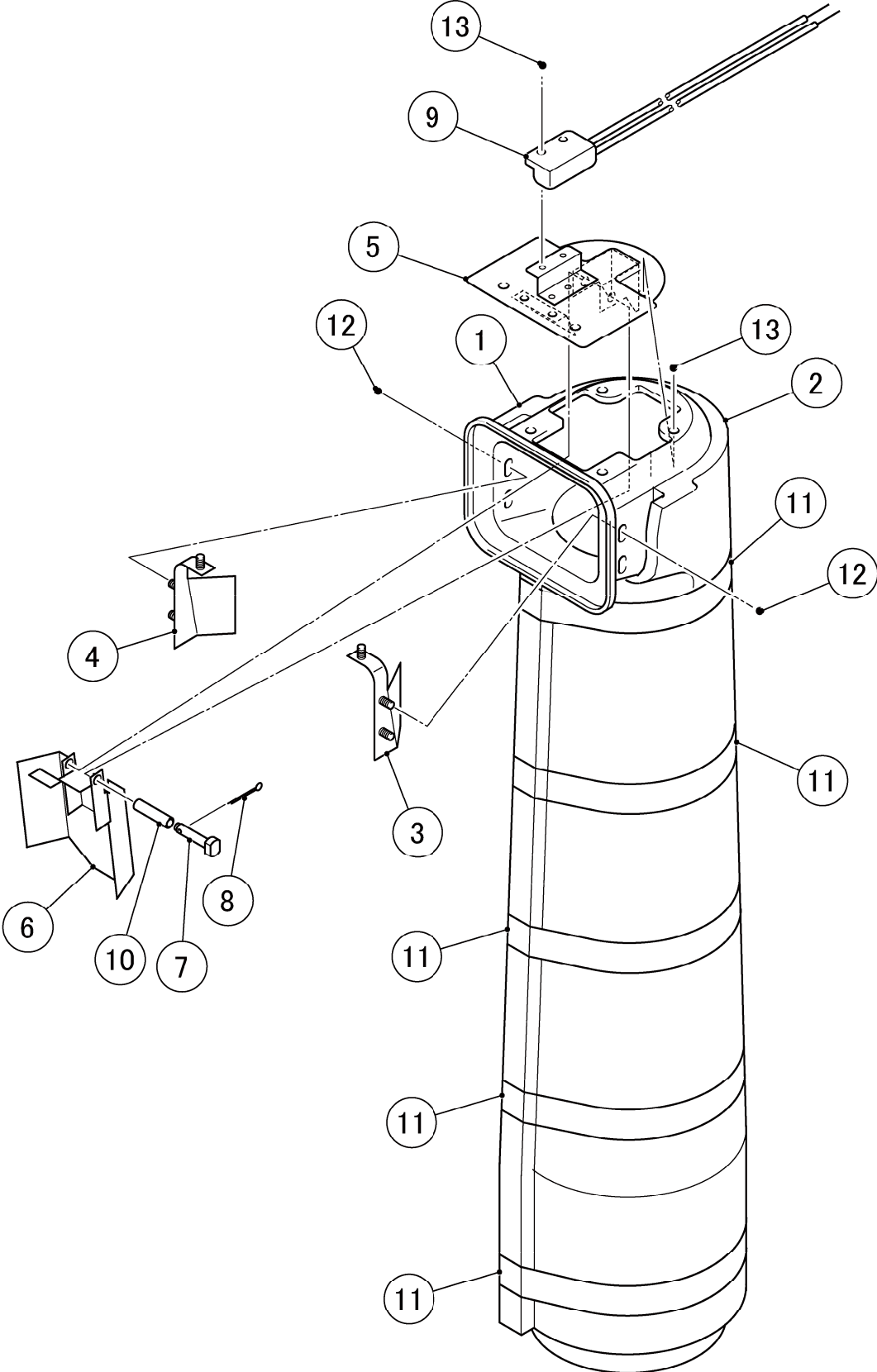
TITLE: E. CONTROL BOX ASSY

FM-480AKE-N (-SB)

INDEX NO.	DESCRIPTION	MATERIAL OR MODEL NUMBER	PART NUMBER	REQ'D NUMBER				
				B-1 D-0	D-1 E-1	E-2 H-0	H-1 and later	
1	CONTROL BOX	4x8	121824G01	1	1	1	1	
2	COVER - CONTROL BOX		376330G01	1	1	1	1	
3	TRUSS HEAD SCREW	NGLS-6S	FST0408F0	1	1	1	1	
4	BOARD SUPPORT		414929-01	6	6	6	6	
5	CAPACITOR		459704-01	1	1	1	1	
6	T2 TRUSS HEAD SCREW	4x8	FT20408F0	3	3	3	3	
7	RELAY	LY2F AC240V	406132-08	1	1	1	1	
8	T2(S) FLANGED PAN HEAD SCREW	3x8	431415-01	2	2	2	2	
9	PROTECTOR	W28XQ1A-20	440972-07	1	1	1	1	
10	ROCKER SWITCH		460681-01	1	1	1	1	
11	BUSHING	OCB-1000	428394-05	1	1	1	1	
12	CONTROLLER BOARD - 09CM		P01372-99	1	1	1	1	
13	HARNESS (A)		376352G01	1	1	1	1	
14	HARNESS (B)		473845G01	1	1	1	1	
15	HARNESS (C)		374366G01	1	1	1	1	
16	SPACER	4EP-9	451658-05	4	4	4	4	
17	OPERATION BOARD - 09CM		P01373-01	1	1	1	1	
18	FLAT WASHER		FWPL03P0	4	4	4	4	
19	NUT		FNH103F0	4	4	4	4	
20	CONTROL LABEL		386086L01	1	1	1	1	
21	WIRE RETAINER	No. 249	427902-03	1	1	1	1	
22	TRANSFORMER	TH6634-220/230/240V	P02623-01	1	1	1	1	
23	FUSE HOLDER	CFH15	4Y2547-01	1	1	1	1	
24	FUSE	2183.15 250VAC 2.15A	451924-02	1	1	1	1	
25	PAN HEAD TAPPING SCREW T2	3x8	FT50308F0	1	1	1	1	
26	LABEL - FUSE		477494L01	1	1	1	1	



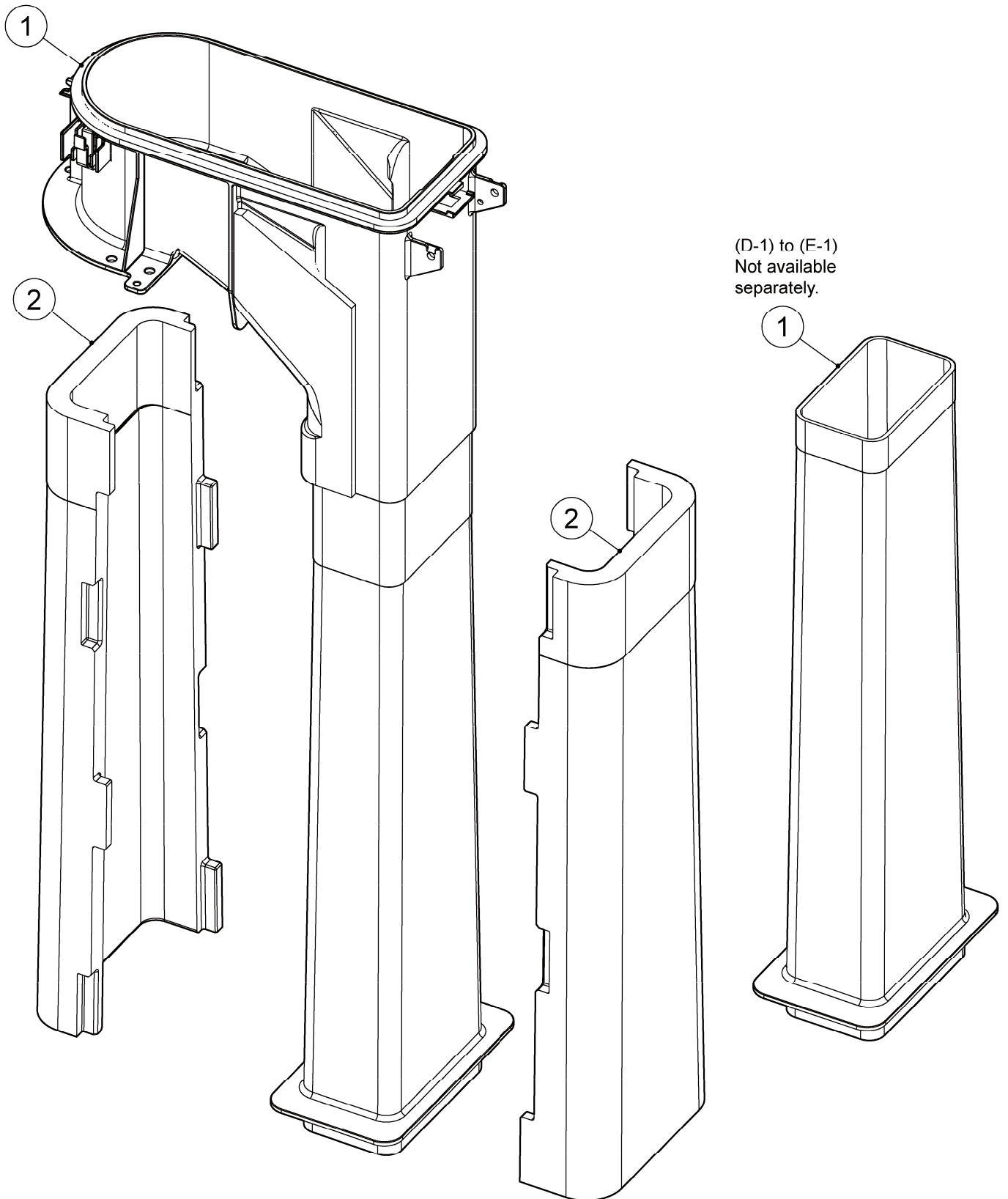
MODEL: FM-480AKE (-SB)		TITLE: F. BAND ASSY						
MODEL: FM-480AKE-N (-SB)								
INDEX NO.	DESCRIPTION	MATERIAL OR MODEL NUMBER	PART NUMBER	REQ'D NUMBER				
				B-1 D-0	D-1 E-1	E-2 H-0	H-1 and	
1	BAND (A)		348305G01	1	1	1	1	
2	SPRING (A)		459997-01	2	2	2	2	
3	MICROSWITCH		P04658-02	1	1	1	1	
4	PAN HEAD MACHINE SCREW (SPRING WASHER AND FLAT		470416-01	2	2	2	2	



FM-480AKE (-SB)
FM-480AKE-N (-SB)

G. CHUTE ASSY

(D-1) and later

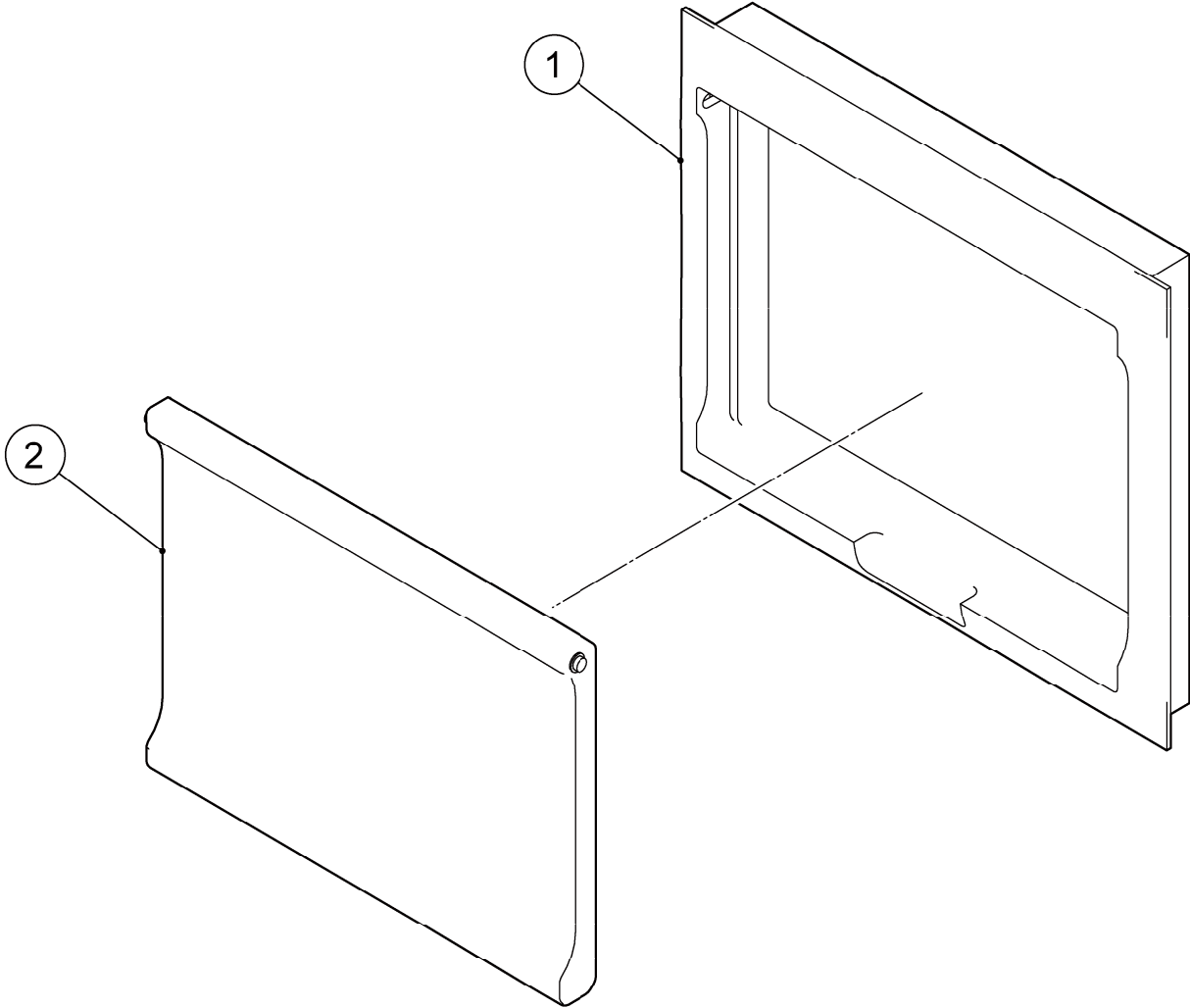


MODEL: FM-480AKE (-SB)		TITLE: G. CHUTE ASSY						
FM-480AKE-N (-SB)								
INDEX NO.	DESCRIPTION	MATERIAL OR MODEL NUMBER	PART NUMBER	REQ'D NUMBER				
				B-1 D-0	D-1 E-1	E-2 H-0	H-1 and later	
1	CHUTE		214823-01	1	-	-	-	
		Integrated with SPOUT - 70 Not available separately. Order SPOUT - CHUTE 70 (268064G02)		-	1	-	-	
	SPOUT - CHUTE 70		268064G02	-	-	1	1	
2	INSULATION - CHUTE		235310-01	1	-	-	-	
			263903P02	-	2	2	2	
3	BAFFLE - CHUTE (A)		325122G01	1	-	-	-	
4	BAFFLE - CHUTE (B)		325123G01	1	-	-	-	
5	BIN CONTROL		353918G01	1	-	-	-	
6	ACTUATOR		436848G05	1	-	-	-	
7	SHAFT		458813-01	1	-	-	-	
8	SPLIT PIN		711SP1612	1	-	-	-	
9	PROXIMITY SWITCH		4A2033-01	1	-	-	-	
10	TUBE		461623-01	1	-	-	-	
11	TAPE		113006Z01	5	-	-	-	
12	WING NUT		FNW204S0	6	-	-	-	
13	TRUSS HEAD SCREW		FST0406S0	4	-	-	-	

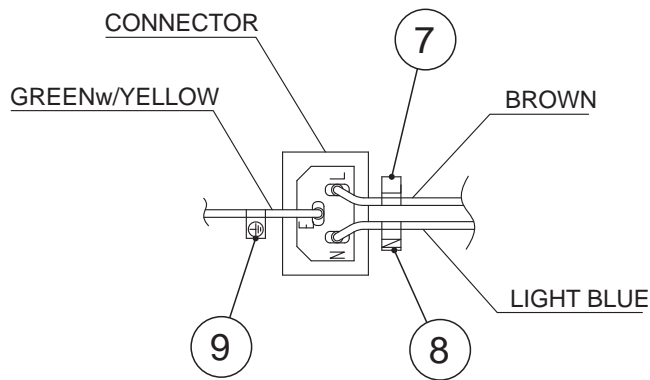
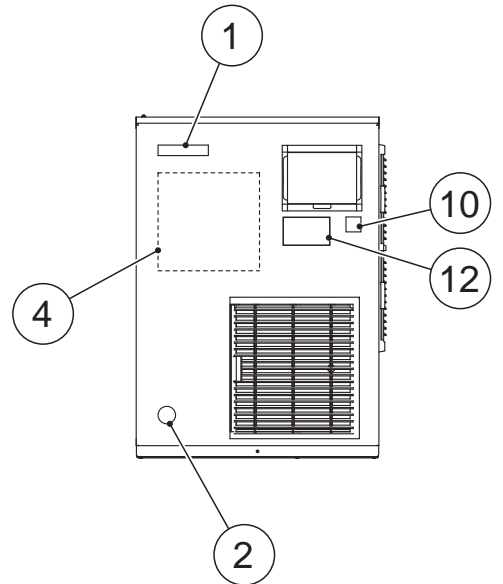
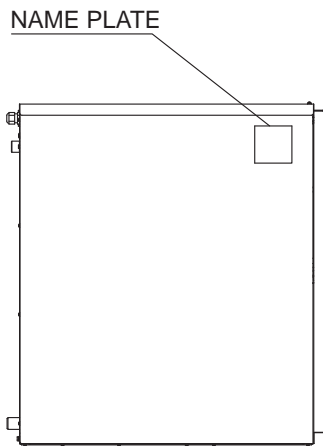
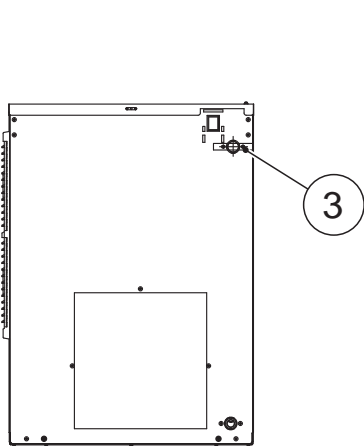
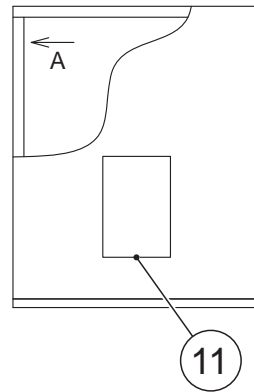
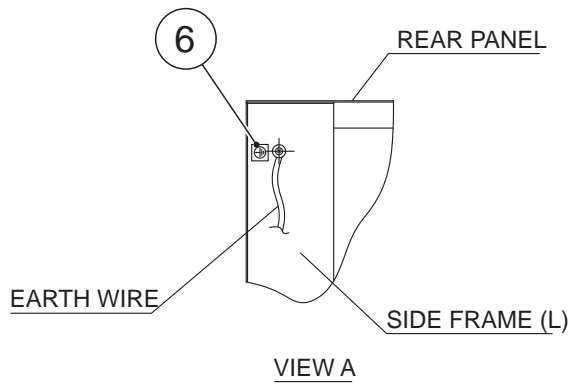
FM-480AKE (-SB)
FM-480AKE-N (-SB)

H. WINDOW PANEL ASSY

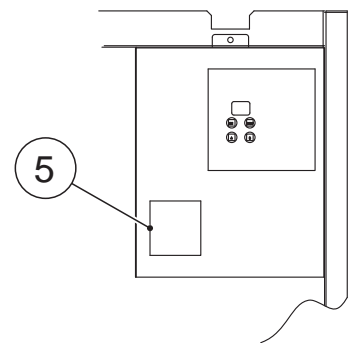
(B-1) and later



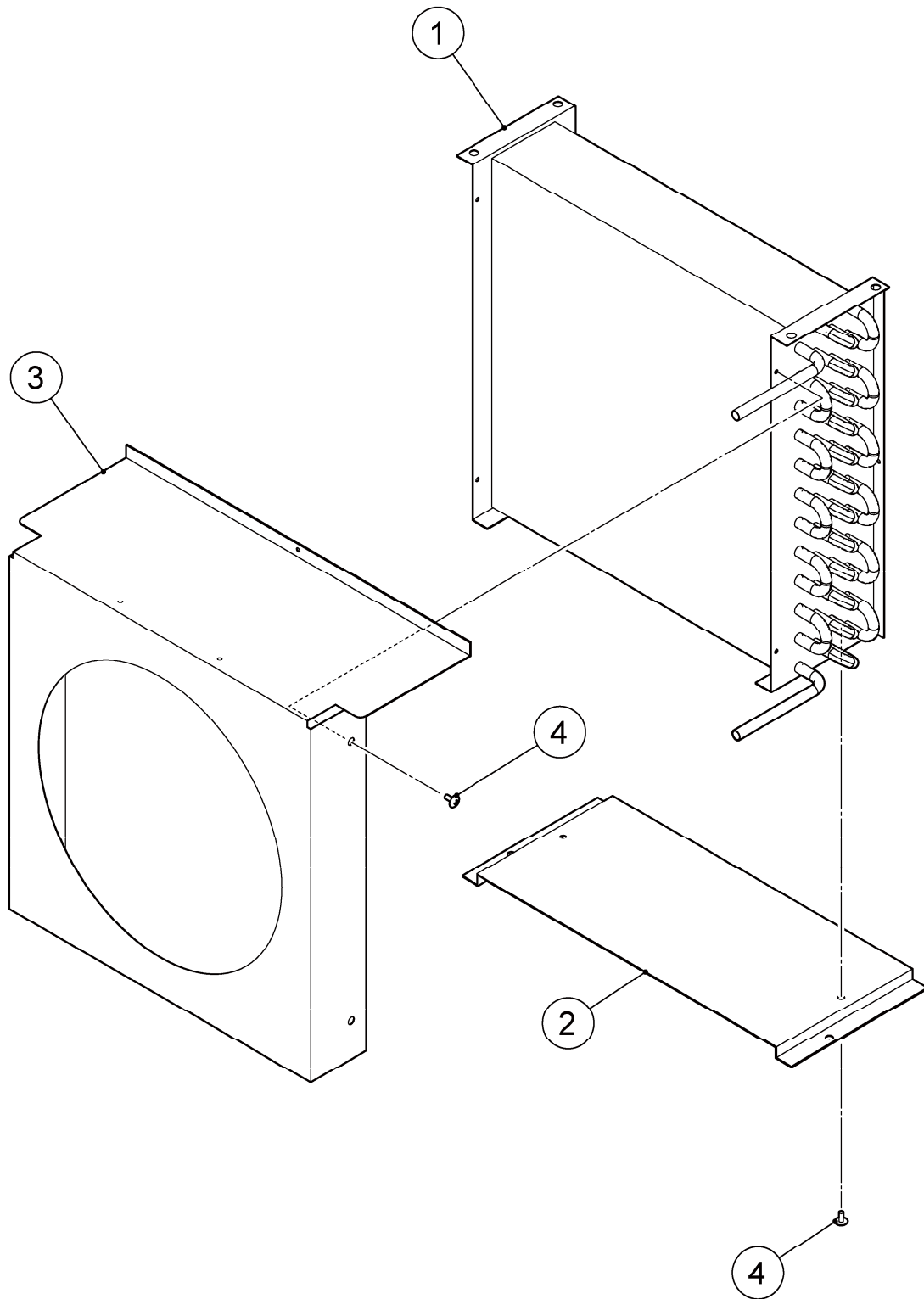
MODEL: FM-480AKE (-SB)		TITLE: H. WINDW PANEL ASSY						
FM-480AKE-N (-SB)								
INDEX NO.	DESCRIPTION	MATERIAL OR MODEL NUMBER	PART NUMBER	REQ'D NUMBER				
				B-1 D-0	D-1 E-1	E-2 H-0	H-1 and later	
1	WIND FRAME		232648-01	1	1	1	1	
2	WIND PANEL		232649-03	1	1	1	1	



DETAIL LABEL - TERMINAL



DETAIL - CONTROL BOX

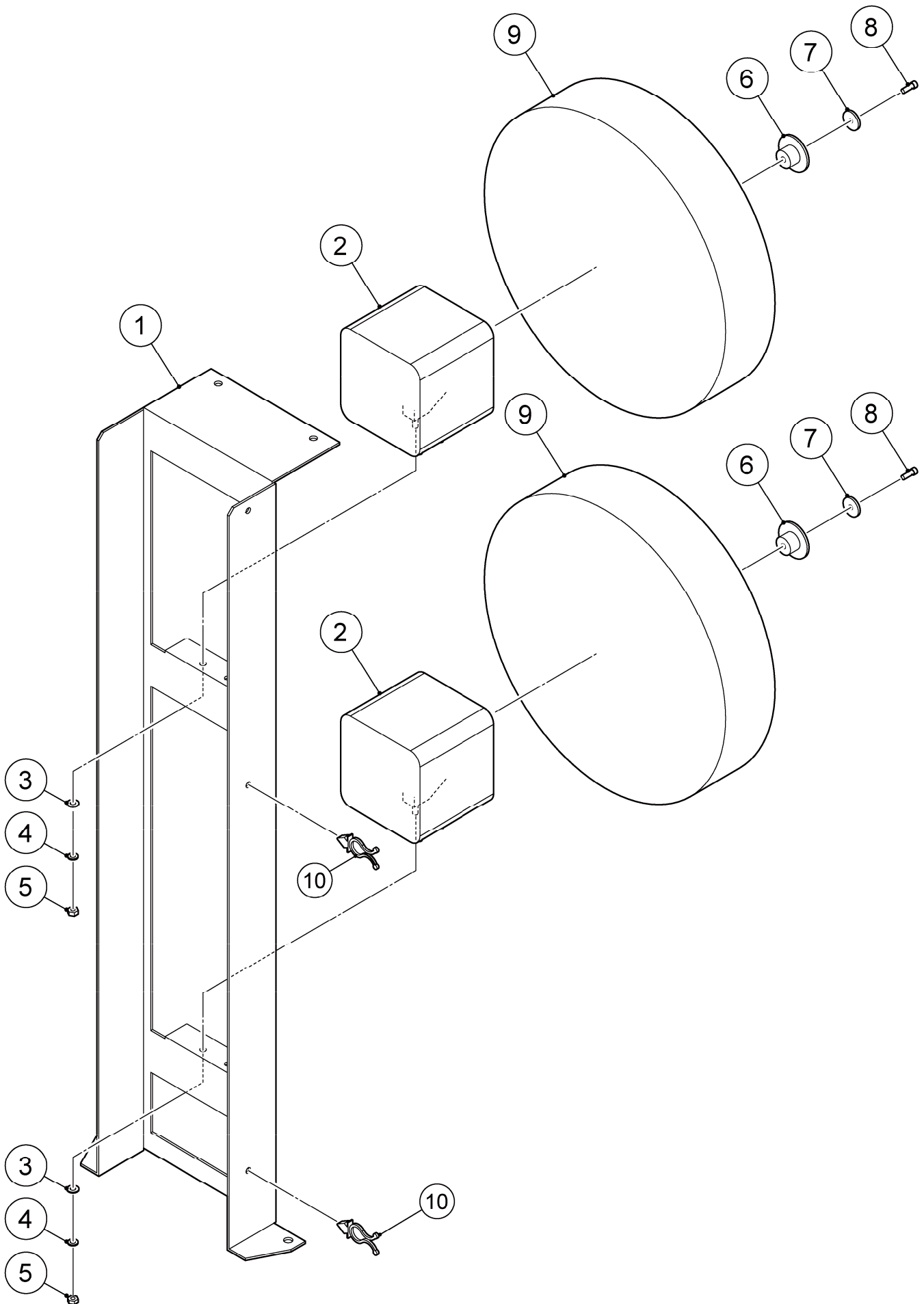


MODEL: FM-480AKE (-SB)		TITLE: K. CONDENSER ASSY						
FM-480AKE-N (-SB)								
INDEX NO.	DESCRIPTION	MATERIAL OR MODEL NUMBER	PART NUMBER	REQ'D NUMBER				
				B-1 D-0	D-1 E-1	E-2 H-0	H-1 and	
1	CONDENSER		P03383-01	1	1	1	1	
2	BRACKET - CONDENSER		476679M01	1	1	1	1	
3	SHROUD		262064M01	1	1	1	1	
4	T2 TRUSS HEAD SCREW		FT20408F0	6	6	6	6	

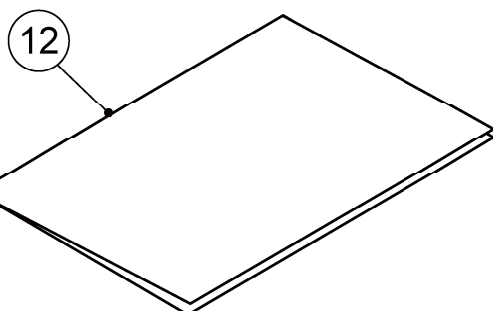
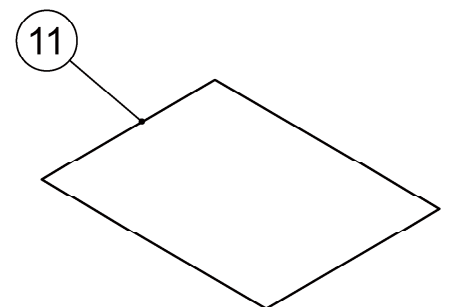
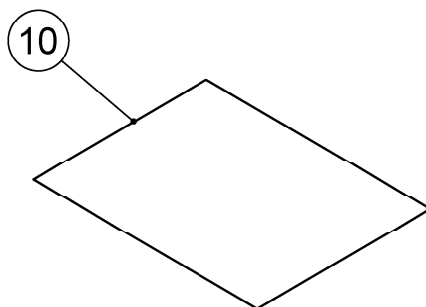
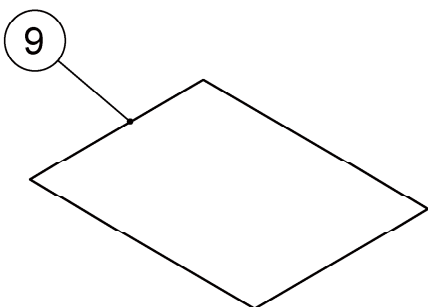
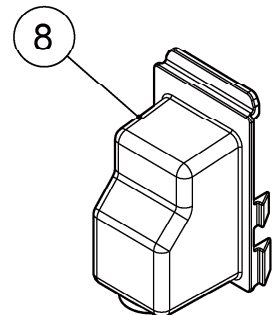
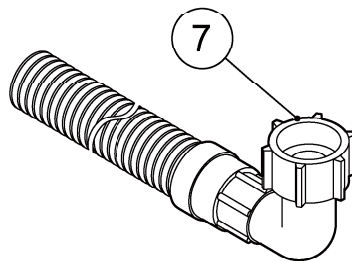
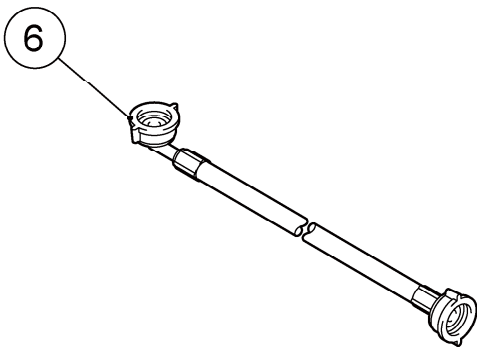
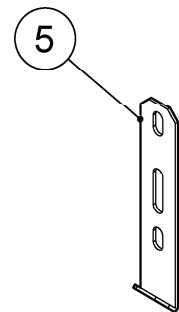
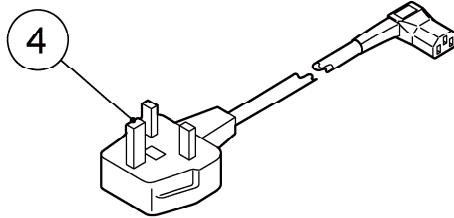
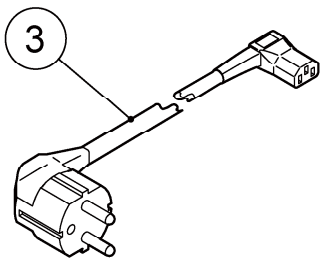
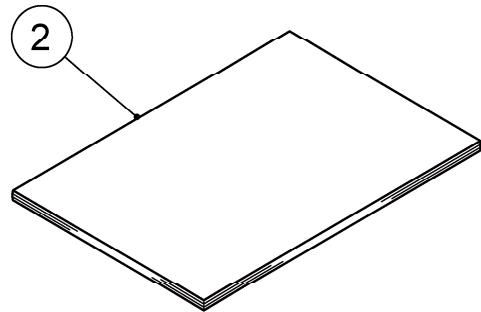
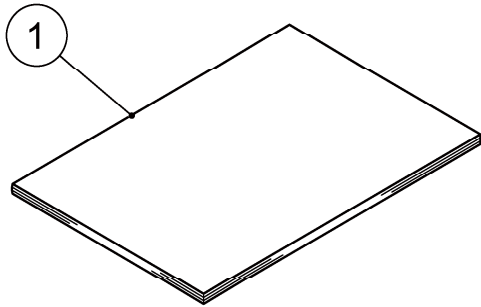
FM-480AKE (-SB)
FM-480AKE-N (-SB)

L. FAN MOTOR ASSY

(B-1) and later



MODEL: FM-480AKE (-SB)		TITLE: L. FAN MOTOR ASSY						
FM-480AKE-N (-SB)								
INDEX NO.	DESCRIPTION	MATERIAL OR MODEL NUMBER	PART NUMBER	REQ'D NUMBER				
				B-1 D-0	D-1 E-1	E-2 H-0	H-1 and later	
1	BRACKET - FAN MOTOR		262084M01	1	1	1	1	
2	FAN MOTOR		P02528-01	2	2	2	2	
3	FLAT WASHER		FWPL04S0	8	8	8	8	
4	SPRING WASHER		FWSP04S0	8	8	8	8	
5	NUT		FNH104S0	8	8	8	8	
6	VIBRATION PAD		P02528F01	2	2	2	2	
7	WASHER - PAD		P02528F02	2	2	2	2	
8	BOLT		P02528F03	2	2	2	2	
9	FAN BLADE		P02529-01	2	2	2	2	
10	WIRE RETAINER		427902-03	2	2	2	2	



MODEL: FM-480AKE (-SB)

TITLE: M. ACCESSORIES

FM-480AKE-N (-SB)

INDEX NO.	DESCRIPTION	MATERIAL OR MODEL NUMBER	PART NUMBER	REQ'D NUMBER			
				B-1 D-0	D-1 E-1	E-2 H-0	H-1 and later
1	INSTRUCTION MANUAL		L1F054208	1	1	1	1
		F082-C161, F082-C162	L1F082401	1	1	1	1
2	INSTALLATION MANUAL		L2F054201	1	-	-	-
			L2F054204	-	1	1	1
		F082-C161, F082-C162	L2F082401	1	1	1	1
3	POWER SUPPLY CORD	CONT Plug	P03362-01	1	1	1	1
		KOREA-PLUG (ORDER HKR)	P04438-01	1	1	1	1
4	POWER SUPPLY CORD	UK Plug F082, F082-C101, F082-C106, F082-C107, F082-C130, F082-C131	P03363-01	1	1	1	1
5	UNIVERSAL BRACE		4A0363-01	2	2	2	2
6	INLET HOSE		P03534-01	1	1	1	1
7	OUTLET HOSE		452365-01	1	1	1	1
8	COVER - CONNECTOR		2X0271P01	1	1	1	1
9	POLYETHYLENE BAG (300*450)		7V90-0015	1	1	1	1
10	PE STANDARD BAG		7V90-0012	1	1	1	1
11	PE BAG (STANDARD)		7V90-0020	1	1	1	1
12	INSTRUCTION MANUAL		122234L01	1	1	1	1
13	INSTRUCTION MANUAL		L1F054114	1	1	1	1
14	INSTRUCTION MANUAL		L1F054302	1	1	1	1
15	INSTALLATION MANUAL		L2F054302	1	1	1	1

