



ICE STORAGE BIN

B-801SA

PARTS LIST

[CHINA, HLP, HKR]

G008, G008-C101,G008-C102, G008-C103, G008-C104
G008-C105,G008-C107,G008-C108

U-1 JUL. 2009
N-1 MAY. 2023

List of Specifications

MODEL	MODEL NUMBER	DESTINATION
B-801SA	G008	CHINA
B-801SA	G008-C101	HLP
B-801SA	G008-C102	CHINA
B-801SA	G008-C103	CHINA
B-801SA	G008-C104	HKR
B-801SA	G008-C105	HSH
B-801SA	G008-C107	HLP
B-801SA	G008-C108	HKR

AUXILIARY CODE

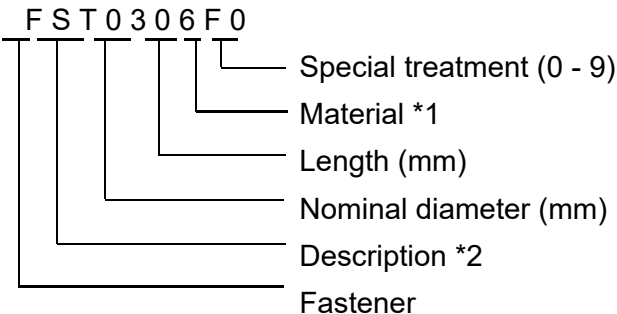
U - 1

The auxiliary code is the first two characters in the serial number. The first character indicates the production year. Years progress or regress in alphabetical order. The series of letters and skipped letters depend on UL listing, production, and model. See the auxiliary code(s) and corresponding year(s) on the front cover.

The second character indicates significant part changes within the same year. Base is "1" and this number advances for each change. If there is no significant part change at the turn of the year, this number starts from "0."

FASTENER PART NUMBER

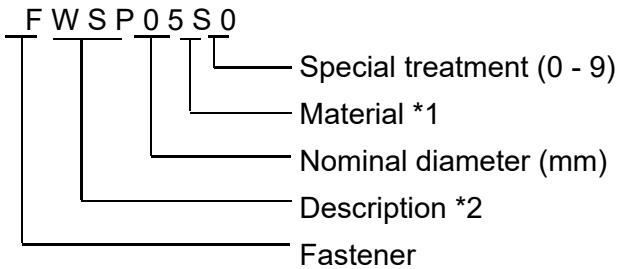
SCREWS



*1 Material

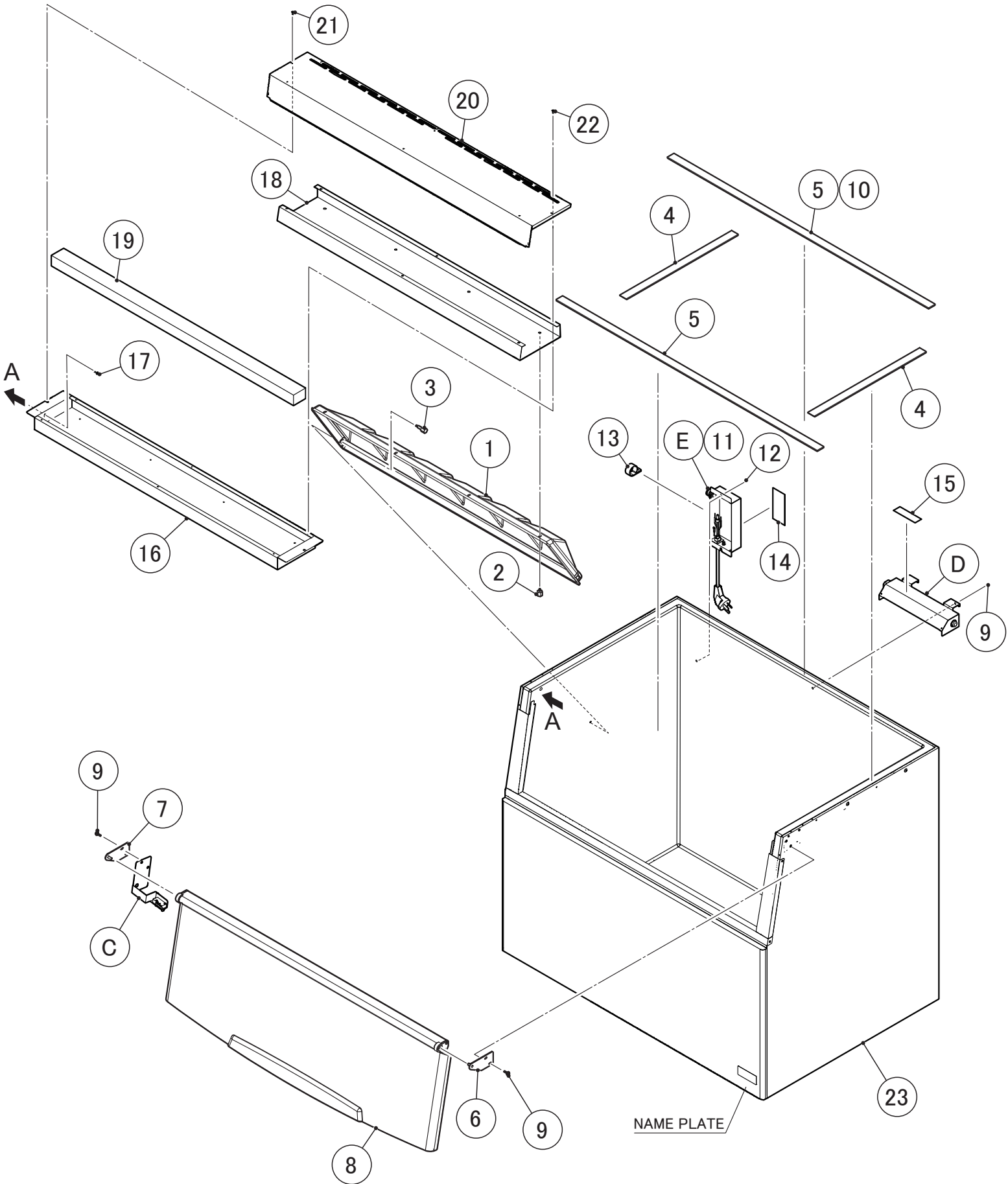
- F: Steel
- S: Austenitic stainless steel
- M: Martensitic stainless steel
- B: Copper alloy
- P: Polycarbonate
- N: Polyamide
- V: PVC
- A: ABS
- X: Polyacetal
- L: Aluminum

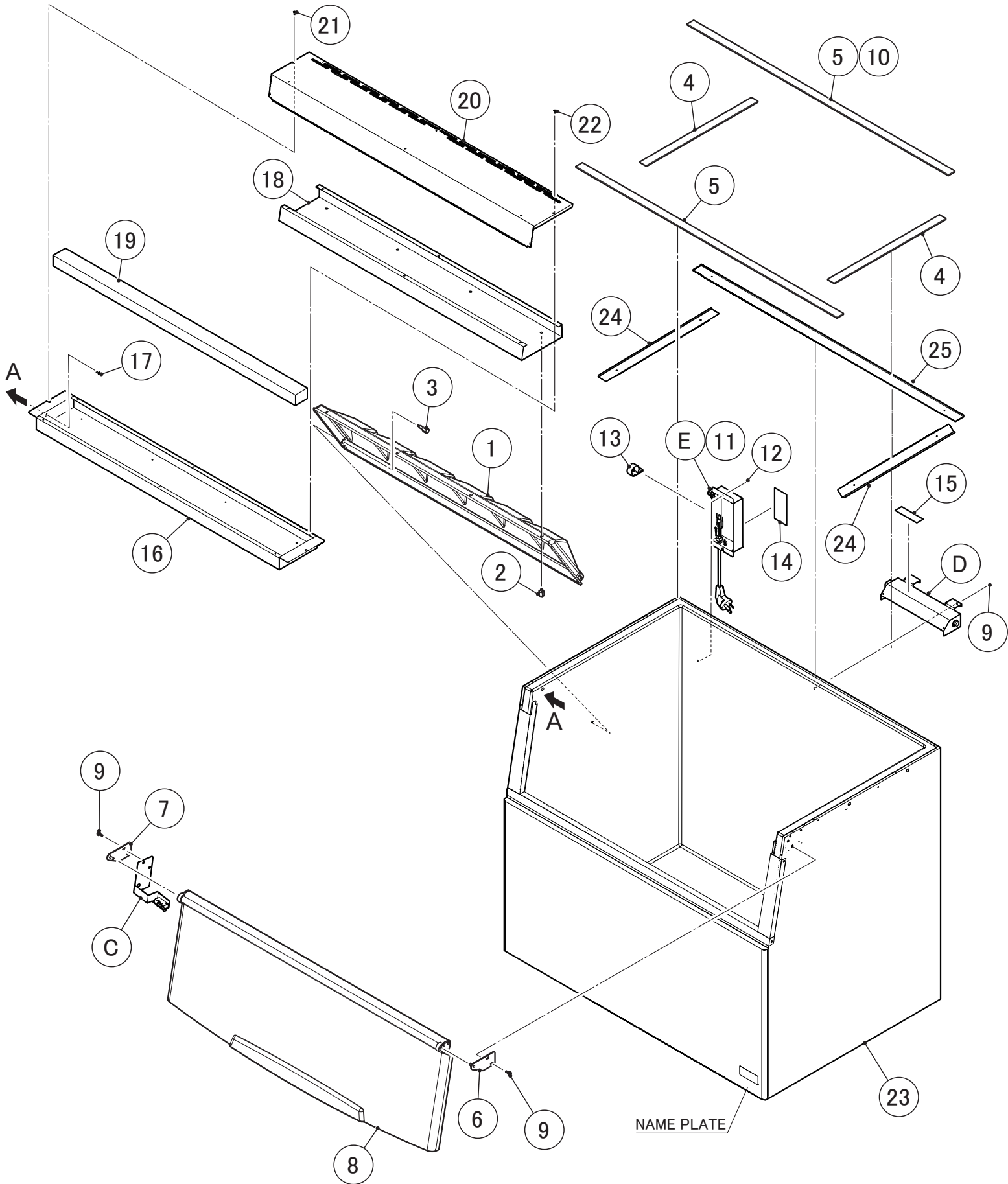
NUTS & WASHERS



*2 Description

- First letter
- S: Machine screw
- T: Tapping screw
- M: Wood screw
- B: Bolt
- W: Washer
- N: Nut





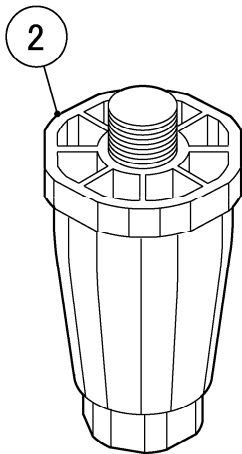
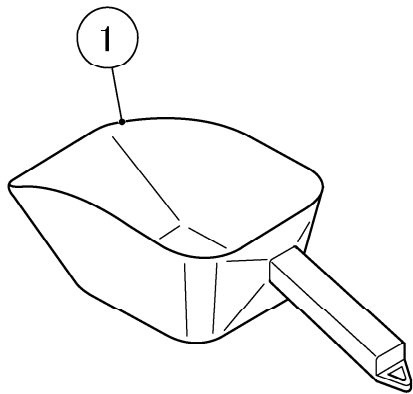
MODEL: **B-801SA**TITLE: **A. BIN ASSEMBLY**

INDEX NO.	DESCRIPTION	MATERIAL OR MODEL NUMBER	PART NUMBER	REQ'D NUMBER			
				U-1 N-0	N-1 and later		
B	ACCESSORIES	G008,G008-C102,G008-C104	A01904-01	1	1		
		G008-C101	A01904002				
		G008-C103	A01904004	1	1		
C	INTERLOCK SWITCH AY	G008-C103	391579A01	1	1		
D	UV LAMP AY	G008-C103	391583A01	1	1		
E	ELECTRICAL BOX AY	G008-C103	391585A01	1	1		
1	BAFFLE - 8	except G008-C103	119688P01	1	1		
		G008-C103	280592M01	1	1		
2	THUMBSCREW		415949G11	4	4		
3	THUMBSCREW		434168G01	2	2		
4	GASKET	except G008-C103	474046P01	2	2		
		G008-C103	474046P03	2	2		
5	GASKET	except G008-C103	474046P04	2	2		
		G008-C103	474046P04	1	1		
6	HINGE (R)		474049G01	1	1		
7	HINGE (L)		474048G01	1	1		
8	DOOR - 8		257316G01	1	1		
9	FLANGE BOLT		P02005-01	4	4		
10	GASKET	G008-C103	474046P07	1	1		
11	CLOSED END CONNECTOR	G008-C103	462904-02	7	7		
12	TRUSS HEAD SCREW	G008-C103	FST0408S0	1	1		
13	CLAMP	G008-C103	418814-06	1	1		
14	WIRING LABEL	G008-C103	391590L01	1	1		
15	CAUTION LABEL	G008-C103	486304L01	2	2		
16	FRONT FRAME-8		257311M01	1	1		
17	TRUSS HEAD TAPPING SCREW T2		FT20414M0	2	2		

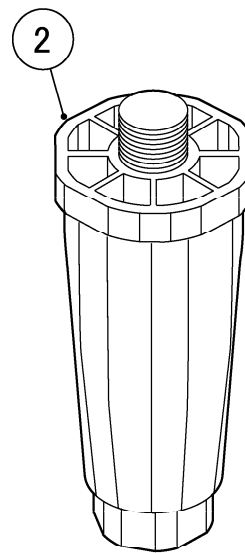
MODEL: **B-801SA**

TITLE: **A. BIN ASSEMBLY**

INDEX NO.	DESCRIPTION	MATERIAL OR MODEL NUMBER	PART NUMBER	REQ'D NUMBER			
				U-1 N-0	N-1 and later		
18	FRONT FRAME COVER-8		257315P01	1	1		
19	INSULATION(C)		372942P03	3	3		
20	TOP COVER-8		257312M01	1	1		
21	RIVET		7170-0002	4	4		
		G008-C105,-C107		-	10		
		G008-C108	7170-0204	-	6		
22	RIVET		7170-0005	6	6		
23	BIN BODY-8	except G008-C103	119683G01	1	1		
		G008-C103	119683001	1	1		
24	SIDE PANEL-B	G008-C105,-C107,-C108	3C0667M01	-	2		
25	REAR PANEL-B	G008-C105,-C107,-C108	3C0668M03	-	1		



(CHINA:H90)

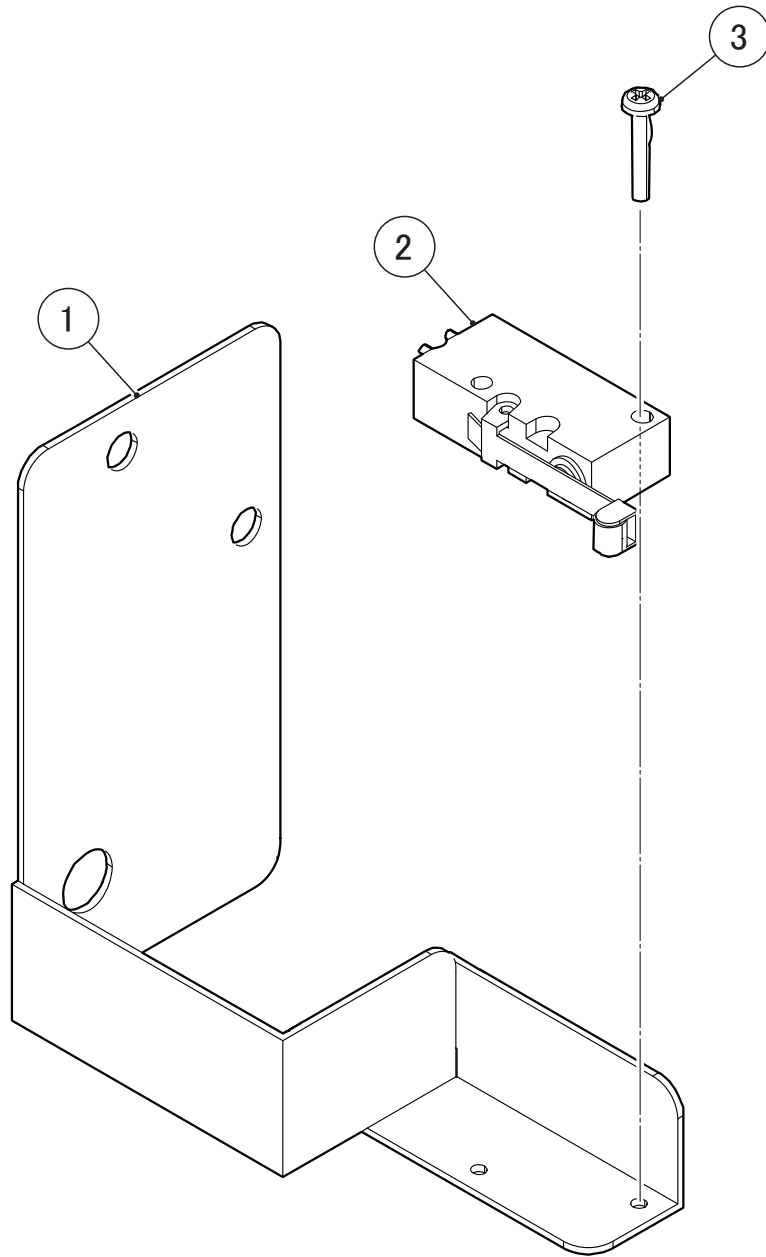


(HLP:H150)

MODEL: **B-801SA**

TITLE: **B. ACCESSORIES**

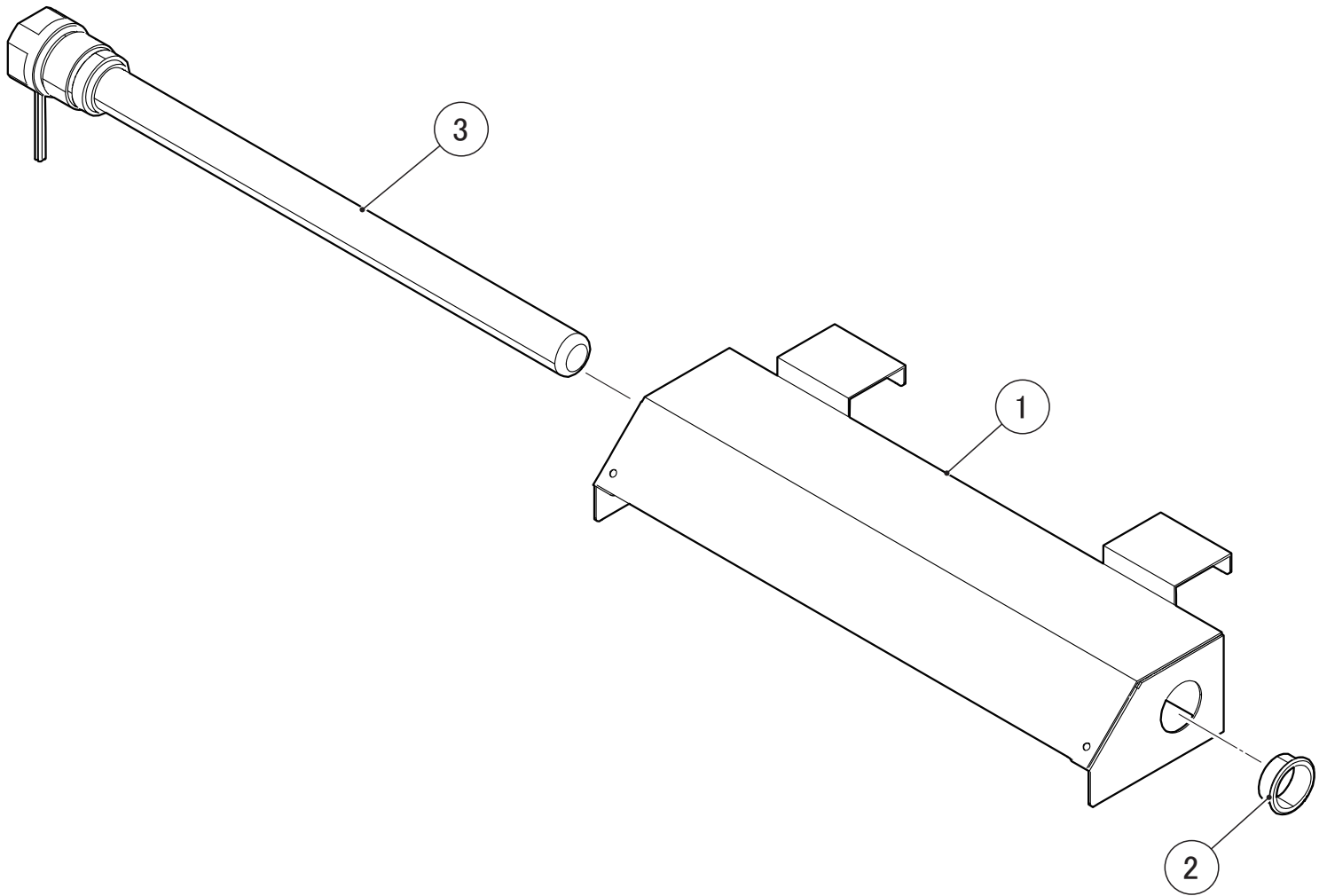
INDEX NO.	DESCRIPTION	MATERIAL OR MODEL NUMBER	PART NUMBER	REQ'D NUMBER			
				U-1 and later			
1	SCOOP	except G008-C103	208185-01	1			
2	LEG	except G008-C101	P04879-01	4			
		HLP G008-C101	P05012-01	4			



MODEL: **B-801SA**

TITLE: **C. INTERLOCK SWITCH AY**

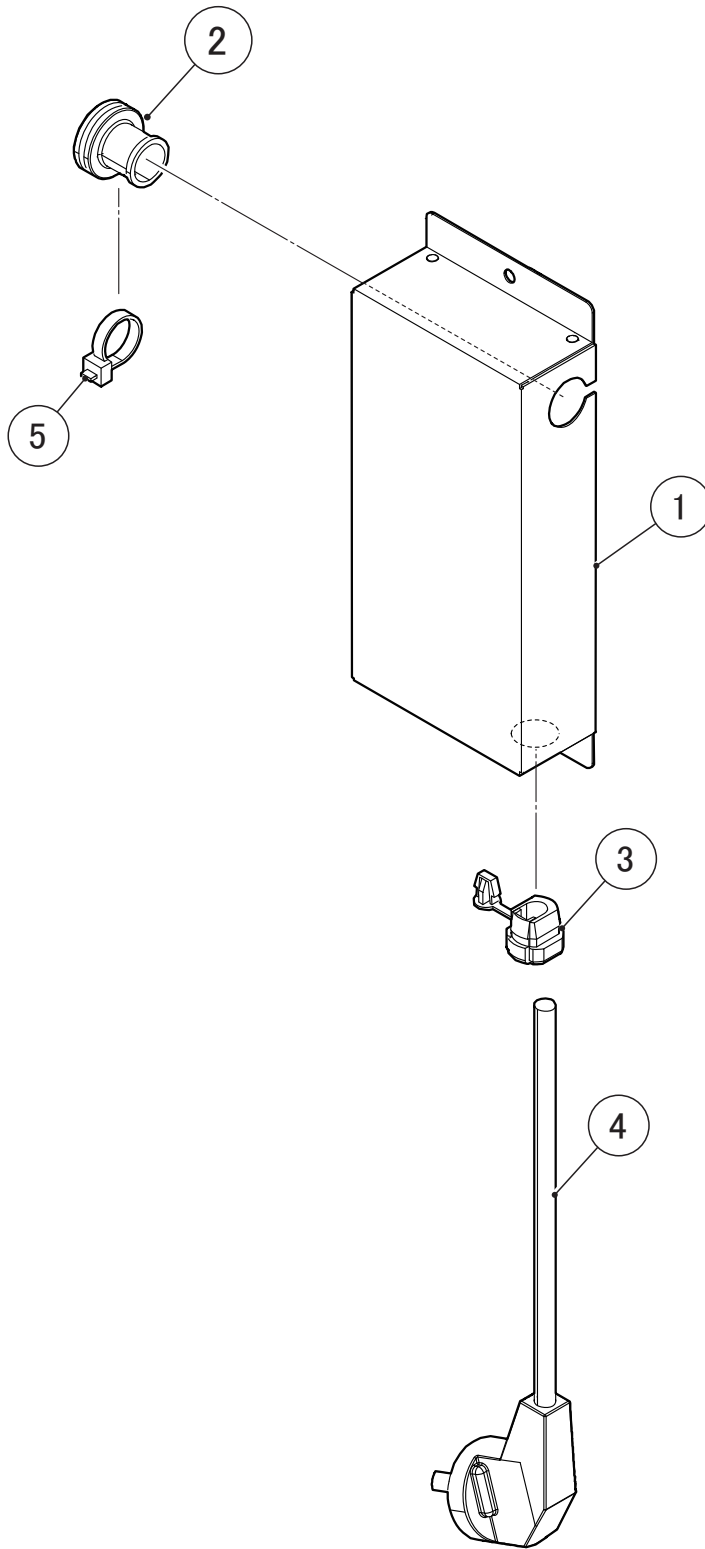
INDEX NO.	DESCRIPTION	MATERIAL OR MODEL NUMBER	PART NUMBER	REQ'D NUMBER			
				K-0 and later			
1	BRACKET - MICRO SWITCH		391575M01	1			
2	MICRO SWITCH		456432-01	1			
3	PAN HEAD MACHINE SCREW		FSP0316S0	2			



MODEL: **B-801SA**

TITLE: **D. UV LAMP AY**

INDEX NO.	DESCRIPTION	MATERIAL OR MODEL NUMBER	PART NUMBER	REQ'D NUMBER			
				K-0 and later			
1	LAMP HOLDER		391576G01	1			
2	BUSHING		420470-03	1			
3	UV LAMP		P05408-01	1			



MODEL: **B-801SA**

TITLE: **E. ELECTRICAL BOX AY**

INDEX NO.	DESCRIPTION	MATERIAL OR MODEL NUMBER	PART NUMBER	REQ'D NUMBER			
				K-0 and later			
1	COVER - BALLAST		280322M01	1			
2	GROMMET		4H2568-02	1			
3	BUSHING		448949-01	1			
4	POWER SUPPLY CORD		P00193-01	1			
5	NYLON TIE		7920-0010	1			