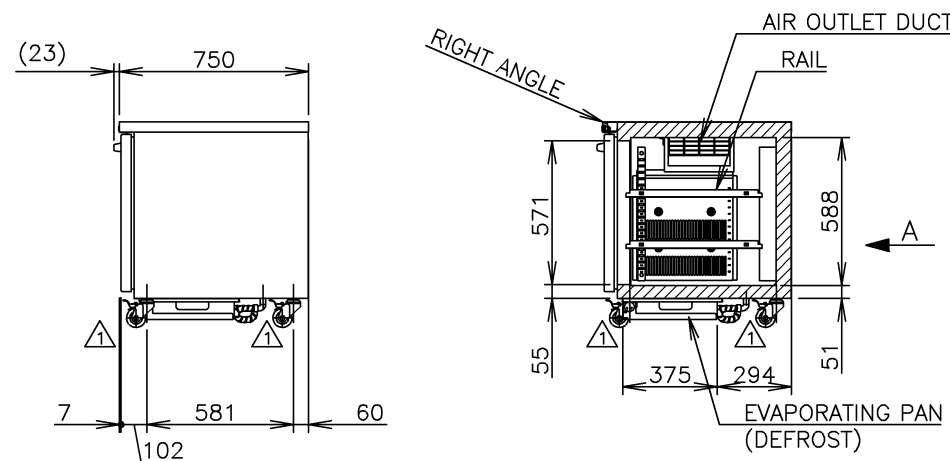
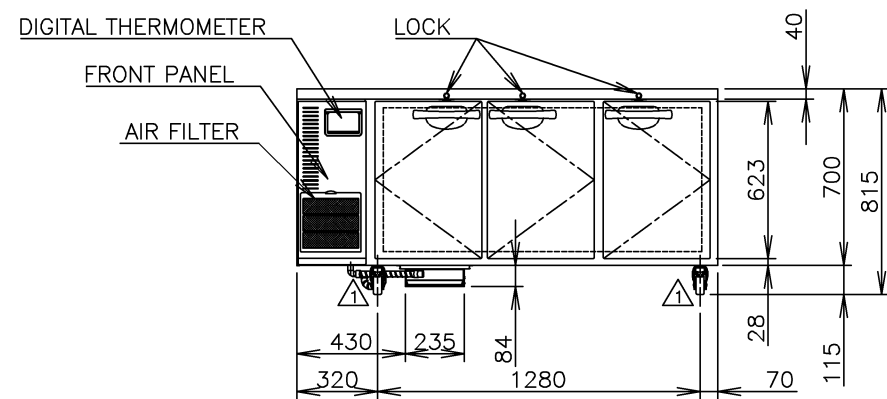
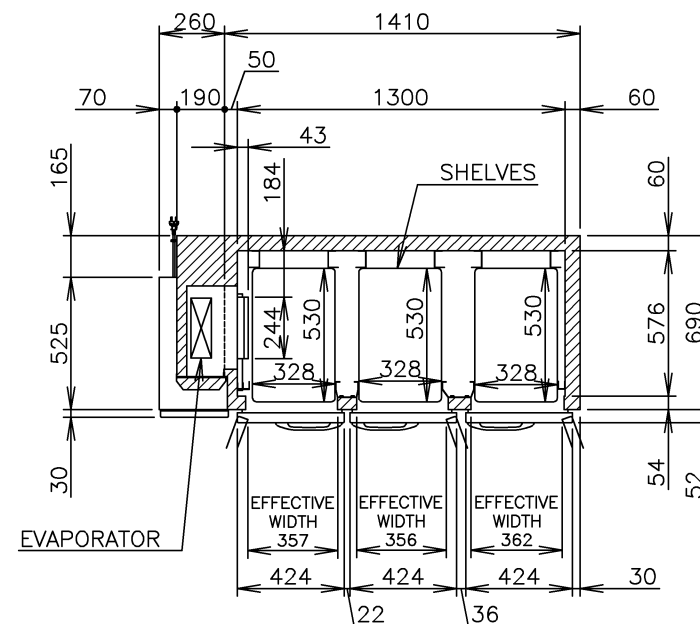
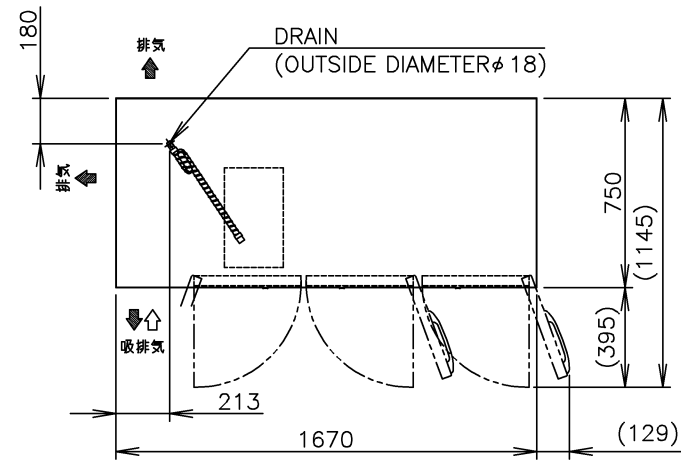


\*Customized  
Defrost drain evaporation pan  
Caster H=115mm  
Door Lock  
Top Panel Right Angle  
Power Cord Australian 3 Pin Plug



ITEM	Hoshizaki Undercounter Refrigerator
MODEL	RTC-167SDA-GN
POWER SUPPLY	1 Phase 220-240V 50Hz Capacity: 0.54kVA(2.45A)
AMPERAGE	Rated 2.2A Starting 8.2A
ELECTRIC CONSUMPTION	Motor **W(Power Factor **%) Heater 253W Refrigeration 320W Defrost 253W
HEAT REJECTION	**W
POWER CORD	2.5m (Plug with Earth Wire)
EFFECTIVE CAPACITY	443L
△ OUTSIDE DIMENSIONS	1670mm(W) x 750mm(D) x 815mm(H)
INSIDE DIMENSIONS	1300mm(W) x 576mm(D) x 588mm(H)
EXTERIOR	Stainless Steel Galvanized Steel (Rear/Bottom)
INTERIOR	Stainless Steel ABS Plastic
INSULATION	Polyurethane Foam
INSULATION FOAM BLOWING AGENT	Cyclopentane
REFRIGERATION SYSTEM	Forced Air Circulation
DEFROST SYSTEM	Glass Tube Heater
COMPRESSOR	Hermetic 215W
CONDENSER	Fin and Tube type Air-cooled
EVAPORATOR	Fin and Tube Type
REFRIGERANT	R134a/150g
TEMPERATURE CONTROL	Microprocessor (Digital Temp Indication) Adjustable from -6 to 12° C
DEFROST CONTROL	Microprocessor controlled
ELECTRIC CIRCUIT PROTECTION	Fuse Earth Wire
COMPRESSOR PROTECTION	Motor Protector
△ CASTER	Urethane (76mm DIA 115mm HIGH)
WEIGHT	Net:120kg (Gross: Approx. **kg)
△ PACKAGE	Carton (Wooden Pallet) 1735mm(W) x 830mm(D) x 990mm(H)
ACCESSORIES	Shelf x 6 Rail x 12
OPERATING CONDITIONS	Ambient Temperature: 5-43° C Voltage Range: Rated Voltage $\pm$ 6%

\*We reserve the right to make changes in specifications and design without prior notice.

1. Install the product properly in accordance with the instructions on location electrical connections stated in the instruction manual provided. Allow 10mm extra space at the installation site to meet any installation requirements (additional spacing is also required for proper air flow and flow and pipe connections).
2. The heat rejection is based on the reached pulldown temperature at ambient temperature of 43° C and power supply of 220V 50Hz. The amperage and electric consumption are based on measurements at ambient temperature of 43° C and power supply of 220V 50Hz.
3. The cabinet temperature range of -6 to 12° C is guaranteed at ambient temperature of 30° C.
4. Product Cod : T014-D034

# HOSHIZAKI UNDERCOUNTER REFRIGERATOR RTC-167SDA-GN (FOR HLP)

APPROVED TORIHATA	CHECKED MIYAZAKI	DESIGNED KAWAKAMI	DRAWN NISHIKORI	SCALE 1/30	TRIGONOMETRY
TORIHATA	KAWAKAMI	2016.12.13	DATE	2016.03.09	DRAWING NO. D17898
APPROVED	DESIGNED	SYMBOL	DATE		SYMBOL