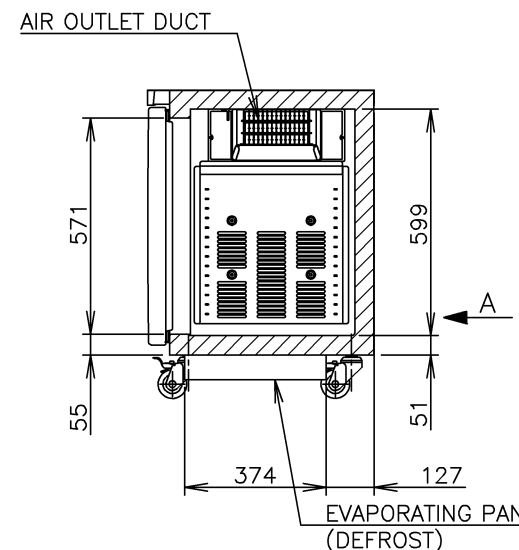
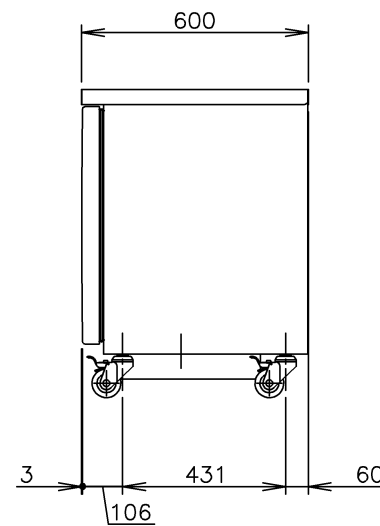
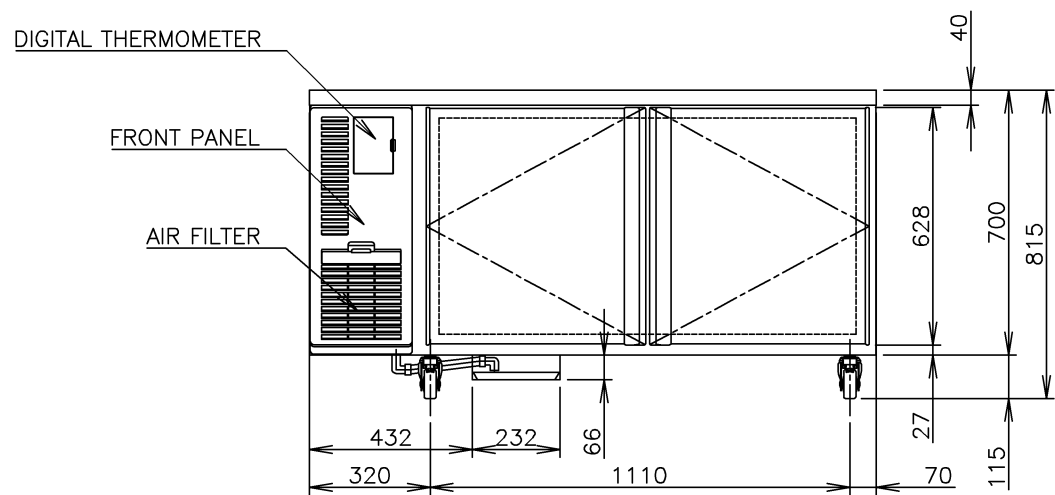
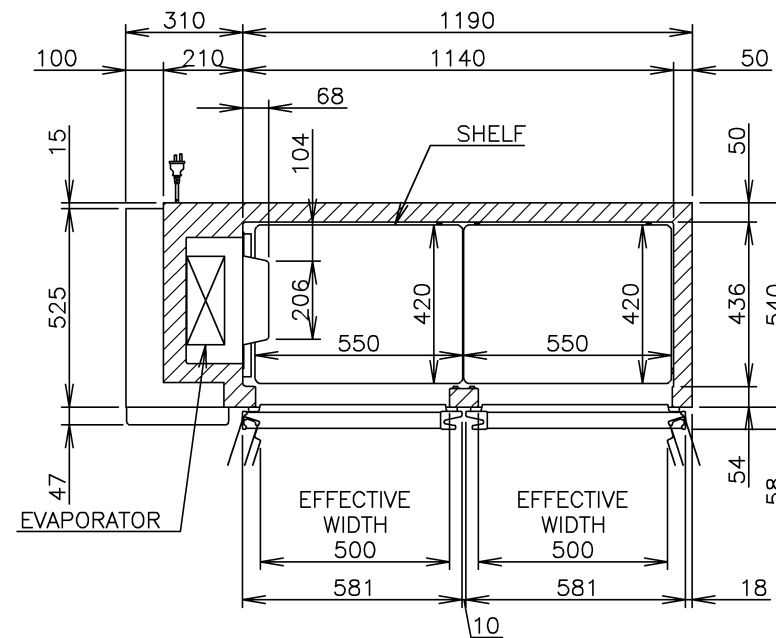
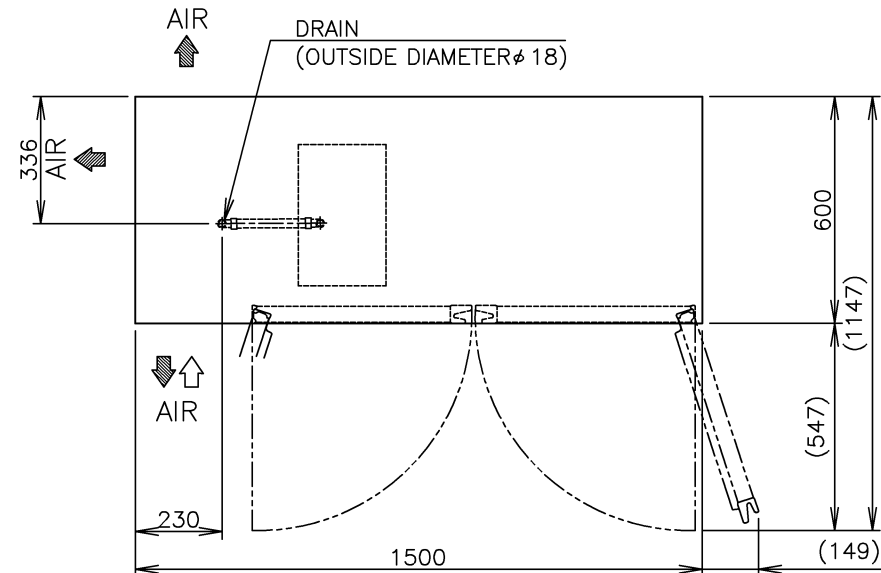
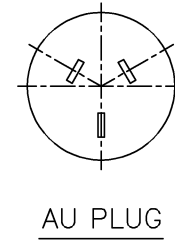


*Customized specifications
Defrost drain evaporation pan
Caster with stopper H=115mm
Power Cord Australian 3 Pin Plug
Body; All SUS



ITEM	Hoshizaki Undercounter Refrigerator
MODEL	RTC-150MNA
POWER SUPPLY	1 Phase 230V 50Hz Capacity: 0.5kVA (2.27A)
AMPERAGE	Rated 1.9A
ELECTRIC CONSUMPTION	Motor 235W (Power Factor 66%) Heater 81W Refrigeration 315W Defrost 85W
HEAT REJECTION	360W
POWER CORD	2.5m (AU Plug with Earth Wire)
EFFECTIVE CAPACITY	318L
OUTSIDE DIMENSIONS	1500mm (W) x 600mm (D) x 815mm (H)
INSIDE DIMENSIONS	1140mm (W) x 436mm (D) x 599mm (H)
EXTERIOR	Stainless Steel, Galvanized Steel (Rear/Bottom) ABS Plastic (Front Panel)
INTERIOR	Stainless Steel, ABS Plastic (Door)
INSULATION	Polyurethane Foam
INSULATION FOAM BLOWING AGENT	Cyclopentane
REFRIGERATION SYSTEM	Forced Air Circulation
DEFROST SYSTEM	Off Cycle
COMPRESSOR	Hermetic 280W (cooling capacity)
CONDENSER	Fin and Tube type, Air-cooled
EVAPORATOR	Fin and Tube type
REFRIGERANT	R134a/110g
TEMPERATURE CONTROL	Microprocessor (Digital Temp Indication) Adjustable from -2 to 12° C
DEFROST CONTROL	Microprocessor controlled
ELECTRIC CIRCUIT PROTECTION	Fuse, Earth Wire
COMPRESSOR PROTECTION	Motor Protector
CASTER	Urethane (76mm DIA, 115mm HIGH)
SHELF	4pcs.
WEIGHT	Net: 80kg (Gross: Approx. 114kg)
PACKAGE	Carton (Wooden Pallet) 1565mm (W) x 680mm (D) x 990mm (H)
ACCESSORIES	
OPERATING CONDITIONS	Ambient Temperature: 5-38° C Voltage Range: Rated Voltage \pm 6%

*We reserve the right to make changes in specifications and design without prior notice.

1. Install the product properly in accordance with the instructions on location, electrical connections stated in the instruction manual provided. Allow 10mm extra space at the installation site to meet any installation requirements (additional spacing is also required for proper air flow and pipe connections).
2. The heat rejection is based on the reached pulldown temperature at ambient temperature of 35° C and power supply of 230V 50Hz. The amperage and electric consumption are based on measurements at ambient temperature of 38° C and power supply of 230V 50Hz.
3. The cabinet temperature range of -2 to 12° C is guaranteed at ambient temperature of 30° C.
4. Product code: T070-C523

HOSHIZAKI UNDERCOUNTER REFRIGERATOR RTC-150MNA (FOR HL)

APPROVED TORIHATA	CHECKED YAMASAKI	DESIGNED KAWAKAMI	DRAWN NISHIKOORI	SCALE 1/20	TRIGONOMETRY
ONDA	KAWAKAMI	2015.08.25	DATE 2014.08.28	DRAWING NO. D14802	SYMBOL A
APPROVED	DESIGNED	SYMBOL	DATE		